

MM 133
5-84

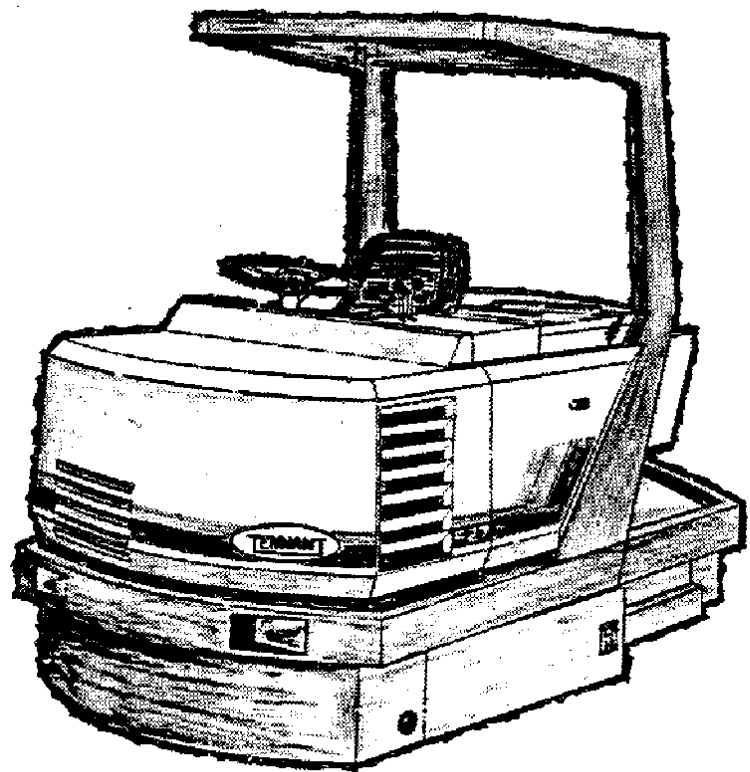


527

POWER SCRUBBER

Operation, Maintenance and Parts Manual

(Parts Manual)



SPECIALIZED MAINTENANCE EQUIPMENT
SWEEPERS • SCRUBBERS • SCARIFIERS • FLOOR COATINGS

Home

Find...

Go To..





527

POWER SCRUBBER

This manual is furnished with each new TENNANT® Model 527. The machine operators will easily learn how to operate the machine and understand its mechanical functions by following the directions and absorbing the information in the Operation section.

This machine will give excellent service and scrubbing results, and save maintenance expenses. However, as with all specially engineered mechanical equipment, best results are obtained at minimum costs if:

- The machine is operated with reasonable care and
- The machine is maintained regularly — per the maintenance instructions provided.
- Components used in this machine have been carefully selected for performance and safety. Use only Tennant Company supplied or equivalent parts.

Parts and supplies may be ordered by phone or mail from any Tennant Company parts and service center, distributor, or from any of the Tennant Company subsidiaries.

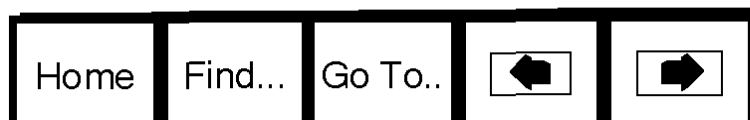
The telephone, telex, mailing addresses, and locations are listed on the last page of the manual.

MANUAL NO. MM133
Published: 5-84

Trademark Registered in: Austria, Belgium, Denmark, England, France, Germany, Italy, Spain, Switzerland, United States, Argentina, Australia, Canada, Japan, Mexico, Sweden, by TENNANT COMPANY, Minneapolis, Minnesota, U.S.A.

01428

©1984, Tennant Company, Printed in U.S.A.



SECTION 7 STANDARD PARTS

CONTENTS

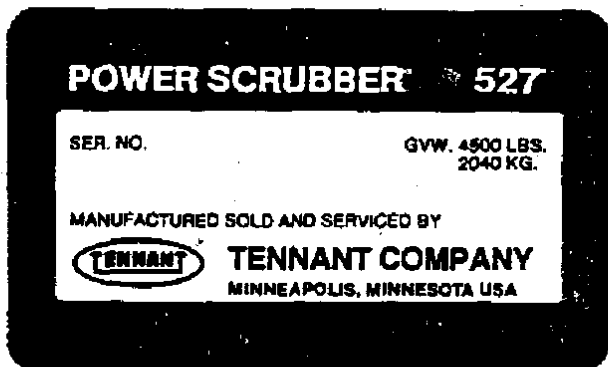
	Page
Ordering Repair Parts.....	7-1
Fig. 1 - Main Frame Group.....	7-2
Fig. 2 - Engine Hood Assembly.....	7-4
Fig. 3 - Instrument Panels Group.....	7-6
Fig. 4 - Seat and Rear Shrouds Group.....	7-8
Fig. 5 - Overhead Guard Group.....	7-10
Fig. 6 - Battery Group.....	7-11
Fig. 7 - Directional Control Pedal Group.....	7-12
Fig. 8 - Engine Group, Gasoline.....	7-14
Fig. 9 - Air Cleaner Group, Gasoline.....	7-16
Fig. 10 - Exhaust System Group.....	7-17
Fig. 11 - Radiator Group.....	7-18
Fig. 12 - Fuel Tank Group, Gasoline.....	7-19
Fig. 13 - Steering and Front Caster Assembly.....	7-20
Fig. 14 - Brake Pedal and Linkage Assembly.....	7-22
Fig. 15 - Rear Brake Group.....	7-23
Fig. 16 - Vacuum Fan and Jackshaft Assembly.....	7-24
Fig. 17 - Complete Hydraulic System.....	7-26
Fig. 18 - Hydraulic Fluid Reservoir Group.....	7-27
Fig. 19 - Hydraulic Propelling Pump and Flow Switch Group.....	7-28
Fig. 20 - Control Valve Panel Group.....	7-30
Fig. 21 - Rear Squeegee Lift Cylinder Group.....	7-32
Fig. 22 - Head Lift Cylinder and Brush Drive Group.....	7-33
Fig. 23 - Hydraulic Propelling Motors Group.....	7-34
Fig. 24 - Hydraulic Accessories Pump and Fluid Cooler Group.....	7-35
Fig. 25 - Solution and Recovery Tank Group.....	7-36
Fig. 26 - Control Handles and Solution Supply Group.....	7-38
Fig. 27 - Head Lock Group.....	7-40
Fig. 28 - Scrub Head Frame Group.....	7-42
Fig. 29 - Scrubber Head Cover Group.....	7-44
Fig. 30 - Pickup Trough Assembly.....	7-45
Fig. 31 - Brush Door and Left Side Squeegee Assembly.....	7-46
Fig. 32 - Right Side Squeegee Assembly.....	7-47
Fig. 33 - Rear Squeegee Assembly.....	7-48
Fig. 34 - Wire Harnesses, Standard.....	7-50
Fig. 35 - Wire Harnesses, Standard.....	7-51

NOTE: Section 7, Standard Parts, lists every repair part of a gasoline powered, standard Model 527. This section also contains parts common to all models of the 527. See Section 8, LPG Parts, or Section 9, Diesel Parts, for repair parts unique to machines powered by those fuels.

ORDERING REPAIR PARTS

To avoid errors or delays in filling parts orders, please furnish all of the following information.

1. Always specify the machine model number and the machine serial number shown on the machine data plate.



2. Give the part number, description, and the quantity needed of each item on the order. Do not order by reference number or the figure number of the illustrated parts.
3. Indented items indicate parts of assemblies. Standard hardware is furnished only when part of a purchased assembly. Please order hardware from a local hardware supplier.
4. If the old part cannot be identified, send it to us with the quantity needed specified on the order.
5. State definite shipping instructions to include the shipping address and/or the billing address if there is a difference. Any claim for loss or damage to a shipment in transit should be filed promptly against the transportation company making the delivery. Shipments will be complete unless the packing list or order acknowledgment indicate items back ordered.

If parts received are suspected to be incorrect or defective, please write, wire, or phone the Tennant Company representative from whom you ordered the part. They will give authorization for return and/or handle replacement shipments when required.

SI (INTERNATIONAL SYSTEM) UNITS OF MEASURE

Metric equivalents have been included, where applicable, throughout this parts catalog.

BOLT AND CAP SCREW STRENGTH IDENTIFICATION

Bolts and cap screws required to have high-strength qualities equivalent to SAE Grade 8 are identified throughout this catalog by the description GR 8. Unless identified by this description, all standard bolts and cap screws are SAE Grade 5.

SERIAL NUMBER INFORMATION EXPLANATION

Serial number information is listed parenthetically to show on which machines each part can be used. These listings are explained by the following examples:

() The part can be used on all machines.

(0000001234-) The part can be used on all machines beginning with the serial number listed.

(0000000000-0000001234) The part can be used on all machines up to and including serial number listed.

(0000001234-0000005678) The part can be used on all machines between and including the serial numbers listed.

Where XXXXX's are listed in place of a serial number, it indicates a serial number change was made but the exact serial number had not been established when the catalog went to press.

(Specifications and design subject to change without notice.)

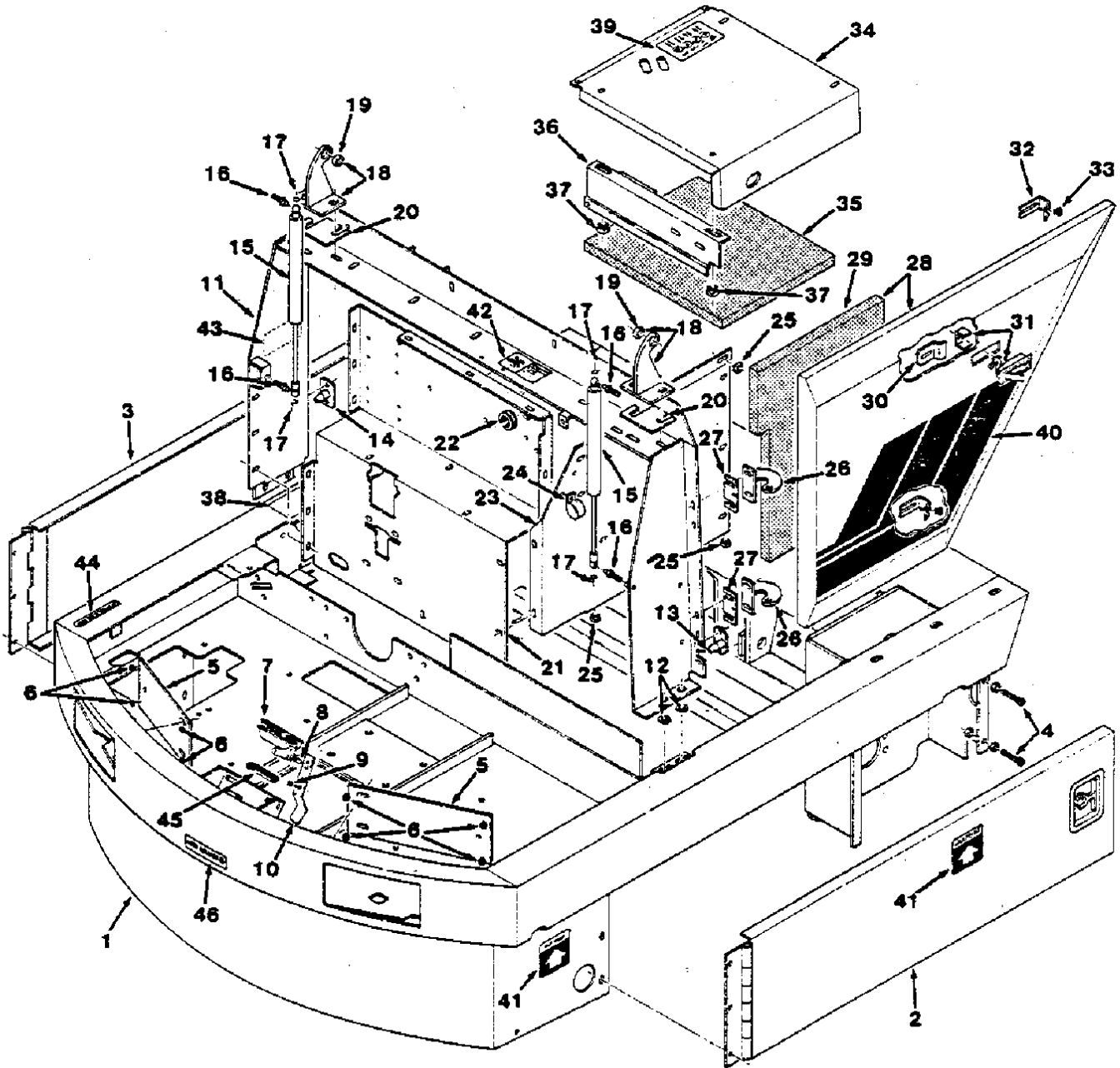


FIG. 1 - MAIN FRAME GROUP

FIG. - 1 MAIN FRAME GROUP

00486

KEY	TENNANT® PART NO.	MACHINE SERIAL NUMBER	DESCRIPTION	QTY.
1	64382-1	(-)	FRAME, Main	1
2	64397	(-)	DOOR, L.H.	1
3	64397-1	(-)	DOOR, R.H.	1
4	75128	(-)	SPINDLE, Adjustment	4
5	64756	(-)	PLATE, Panel filler	2
6	64757	(-)	BUMPER, Rubber	8
7	64534	(-)	LATCH, Mount	1
8	64905	(-)	SLEEVE	1
9	64699	(-)	SLEEVE	1
10	64911	(-)	HANDLE, Hood latch	1
11	64025	(-)	HOOD, Support	1
12	75456-2	(-)	SHIM	2
13	64064	(-)	PIN, Hood	1
14	64062	(-)	PIN, Hood	1
15	64535	(-)	SPRING, Pneumatic	2
16	64596	(-)	STUD, Ball	4
17	64595	(-)	CLIP, Safety	4
18	64416-1	(-)	HINGE, Hood	2
19	64377	(-)	BEARING, Journal	1
20	69231	(-)	SHIM, Hood hinge	2
21	64026-1	(-)	FIREWALL	1
22	10632-14	(-)	GROMMET	1
23	16346	(-)	PANEL, Driver compartment	1
24	63508	(-)	CLAMP, Cable	1
25	41685	(-)	NUT, Retainer	4
26	64444	(-)	HINGE, Side door	2
27	69226	(-)	SHIM, Side door	2
28	69668	(-)	DOOR ASSEMBLY, Side	1
29	69667	(-)	INSULATION, Door, side	1
	47037	(-)	ADHESIVE, Tube, 5 oz (150 cc)	1
30	69537	(-)	BRACKET, Strike	1
31	64533	(-)	LATCH, Trigger	1
32	64512	(-)	STOP, Door	2
33	51787	(-)	BUMPER, Rubber	2
34	64641-1	(-)	PANEL, Valve	1
35	69641	(-)	INSULATION, Panel, valve	1
36	64929	(-)	BRACKET	1
37	29124	(-)	NUT, Retainer	2
38	75430	(-)	PAD, Tread	1
39	69716	(-)	DECAL, Control valve	1
40	69707	(-)	DECAL, Stripe, wing	1
41	69710	(-)	DECAL, Jack point	3
42	63507	(-)	DECAL, Warning, fan	1
43	32399	(-)	DECAL, Maintenance note	1
44	45851	(-)	DECAL, Hydraulic fluid	1
45	62595-18	(-)	MOLDING, Rigid, 3.0" (76 mm)	1
46	16373	(-)	DECAL, Hood release	1

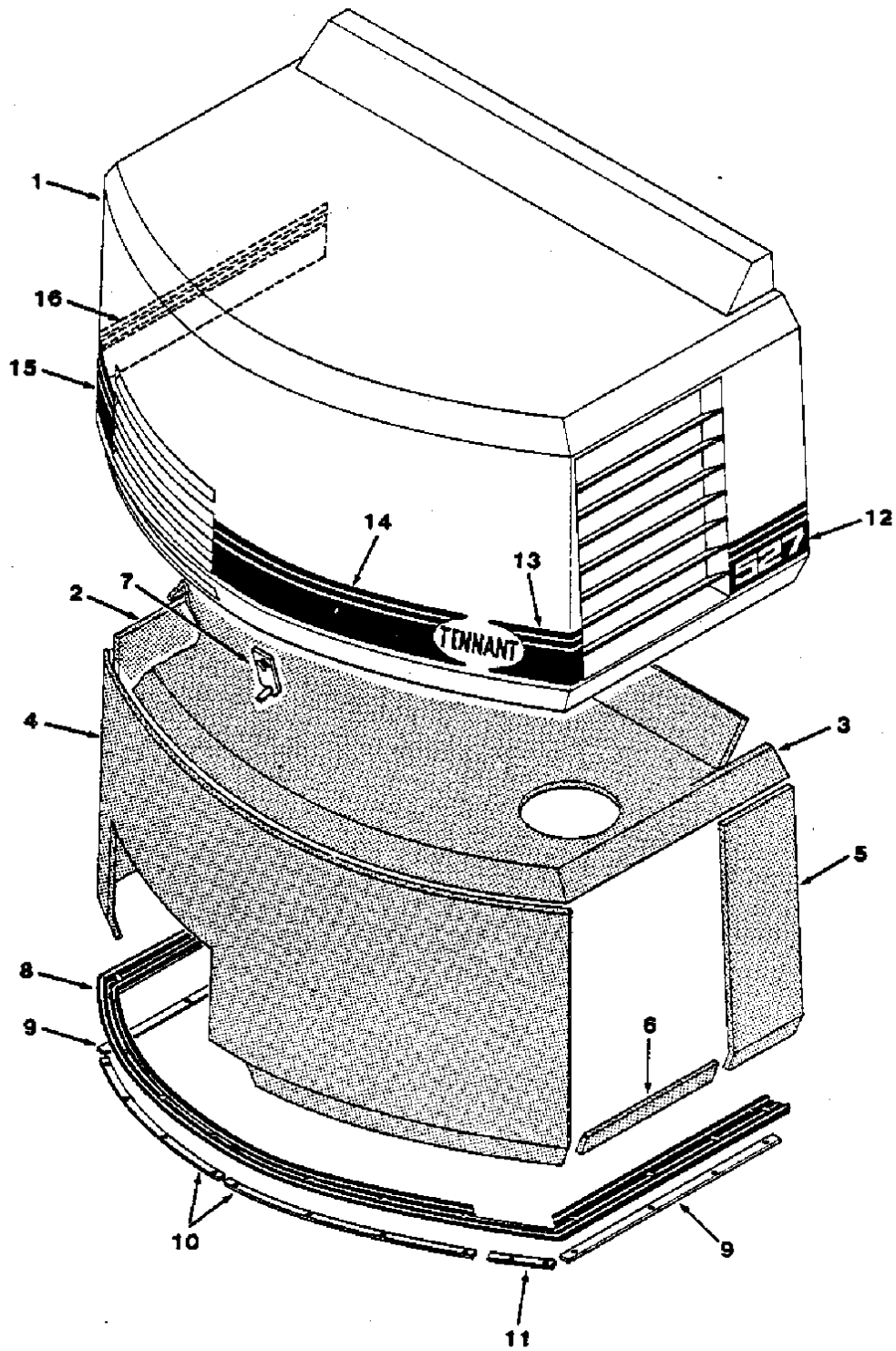


FIG. 2 - ENGINE HOCD ASSEMBLY

FIG. 2 - ENGINE HOOD ASSEMBLY

00490

KEY	TENNANT® PART NO.	MACHINE SERIAL NUMBER	DESCRIPTION	QTY.
1	64180	(-)	HOOD AND INSULATION ASSEMBLY	1
2	64184	(-)	INSULATION, Hood	1
3	64185	(-)	INSULATION, Hood	1
4	64186	(-)	INSULATION, Hood	1
5	64183	(-)	INSULATION, Hood	1
6	64182	(-)	INSULATION, Hood	1
7	64910	(-)	LATCH, Hood	1
8	64779	(-)	SEAL	1
9	64792	(-)	RETAINER, Hood seal	2
10	64781	(-)	RETAINER, Hood seal	2
11	69232	(-)	RETAINER, Hood seal	1
12	69721	(-)	DECAL, Stripe, L.H.	1
13	69738	(-)	DECAL, Stripe, front	1
14	69706	(-)	DECAL, Stripe, front	1
15	69705	(-)	DECAL, Stripe, front	1
16	69704	(-)	DECAL, Stripe, R.H.	1

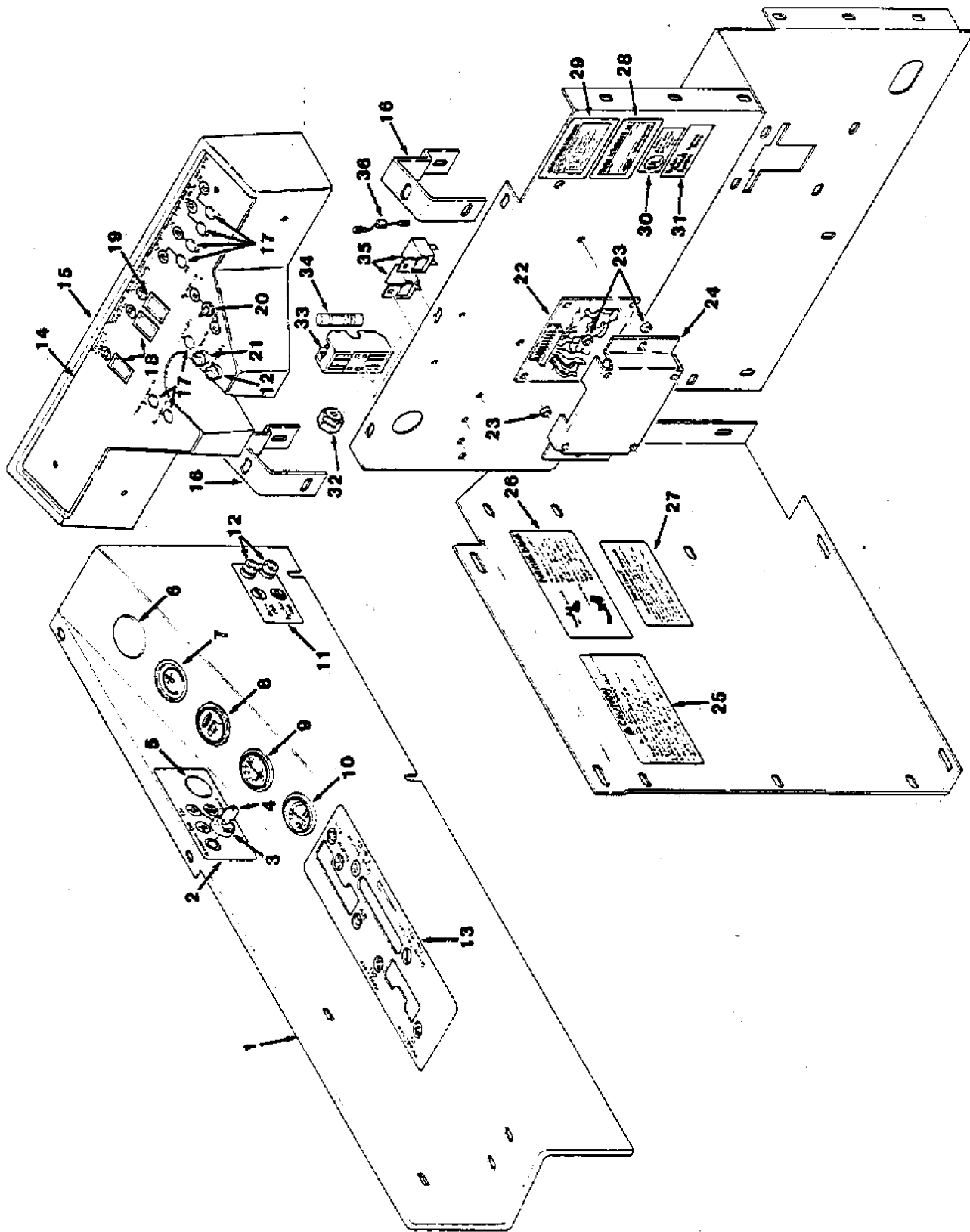


FIG. 3 - INSTRUMENT PANELS GROUP

FIG. 3 - INSTRUMENT PANELS GROUP

00495

KEY	TENNANT® PART NO.	MACHINE SERIAL NUMBER	DESCRIPTION	QTY.
1	64637	(-)	PANEL, Instrument	1
2	69717	(-)	DECAL, Ignition	1
3	62530	(-)	SWITCH, Ignition	1
4	62530-1	(-)	KEY, Ignition switch	1
5	47178-13	(-)	PLUGBUTTON	1
6	47178-12	(-)	PLUGBUTTON	1
7	47436	(-)	GAUGE, Oil pressure	1
8	78172	(-)	METER, Hour	1
9	54180	(-)	AMMETER	1
10	50330	(-)	GAUGE, Water temperature	1
11	69788	(-)	DECAL, Fuses	1
12	45104	(-)	HOLDER, Fuse	3
	45595	(-)	FUSE, 10 A	3
	64850	(-)	WIRE HARNESS, Instrument panel	1
	27184	(-)	TERMINAL, Adaptor, 2 tabs	1
13	69713	(-)	DECAL, Instrument panel	1
14	69712	(-)	DECAL, Front panel	1
15	69468	(-)	PANEL, Front instrument	1
16	69214	(-)	BRACKET, Mounting, instrument panel	2
17	56992	(-)	PLUGBUTTON	7
18	64141	(-)	LIGHT, Level sensing	2
19	64141-1	(-)	LIGHT, Level sensing	1
20	63266	(-)	SWITCH	1
21	45104	(-)	HOLDER, Fuse	1
	44938	(-)	FUSE, 5 A	1
	69622	(-)	P.C. BOARD ASSEMBLY	1
22	64795	(-)	P.C. BOARD LEVEL SENSING	1
23	64921	(-)	SPACER	4
24	64093	(-)	COVER, Level sensing	1
25	32308	(-)	DECAL, Caution, for your safety	1
26	69718	(-)	DECAL, Parking brake	1
27	48242	(-)	DECAL, Alternator	1
28	69643	(-)	DATA PLATE	1
29	37101	(-)	DECAL, Patent, scrubber	1
30	47454	(-)	DECAL, UL	1
	46236	(-)	CLAMP, Cable	1
31	45579	(-)	DECAL, Factory mutual, gasoline	1
32	76082	(-)	INSULATOR, Panel	1
33	39218	(-)	HOLDER, Fuse	1
34	45387	(-)	FUSE, 30 A	1
35	64730	(-)	RELAY	2
36	69587	(-)	DIODE ASSEMBLY	1

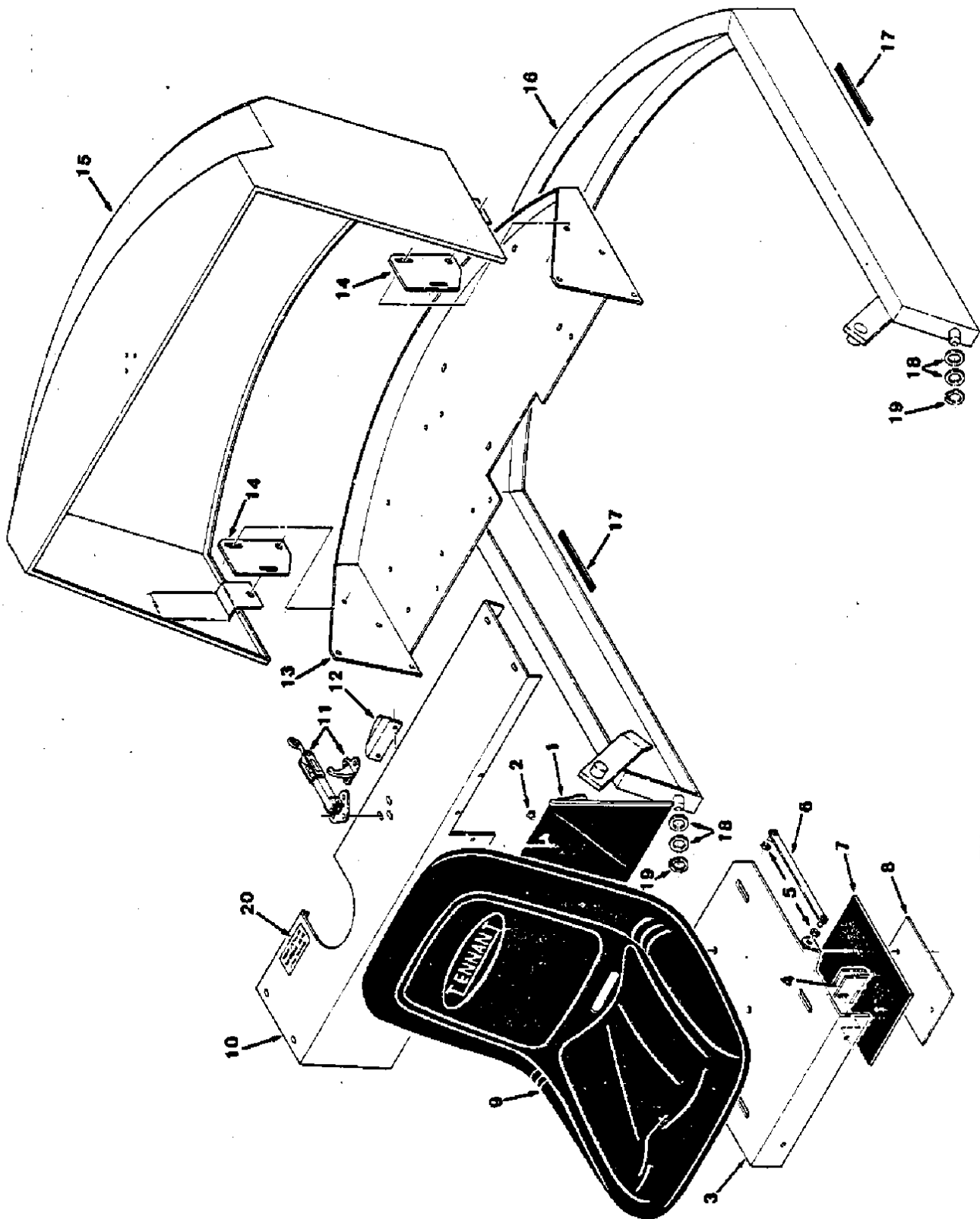


FIG. 4 - SEAT AND REAR SHROUDS GROUP

FIG. 4 - SEAT AND REAR SHROUDS GROUP

00487

KEY	TENNANT® PART NO.	MACHINE SERIAL NUMBER	DESCRIPTION	QTY.
1	68275	(-)	POUCH, Operator's manual	1
2	69229	(-)	DRIVE RIVET	2
3	64341	(-)	BRACKET, Seat	1
4	64342	(-)	HINGE	1
5	43611	(-)	WASHER	2
6	64060-1	(-)	LINK, Seat	1
7	64338	(-)	GASKET, Door	1
8	64339	(-)	PLATE, Gasket	1
9	79605	(-)	SEAT	1
10	64601	(-)	DECK, Rear, gasoline	1
11	69662	(-)	LATCH, Spring loaded	1
12	69613	(-)	BRACKET, Rear shroud support	1
13	64895	(-)	TRAY, Rear	1
14	64405	(-)	STRIP	2
15	64404	(-)	SHROUD, Rear	1
16	64476	(-)	BUMPER, Rear	1
17	56779	(-)	STRIP, Rubber	2
18	64489	(-)	WASHER	4
19	23524-4	(-)	RING, Retaining	2
20	19048	(-)	DECAL, Gasoline only	1

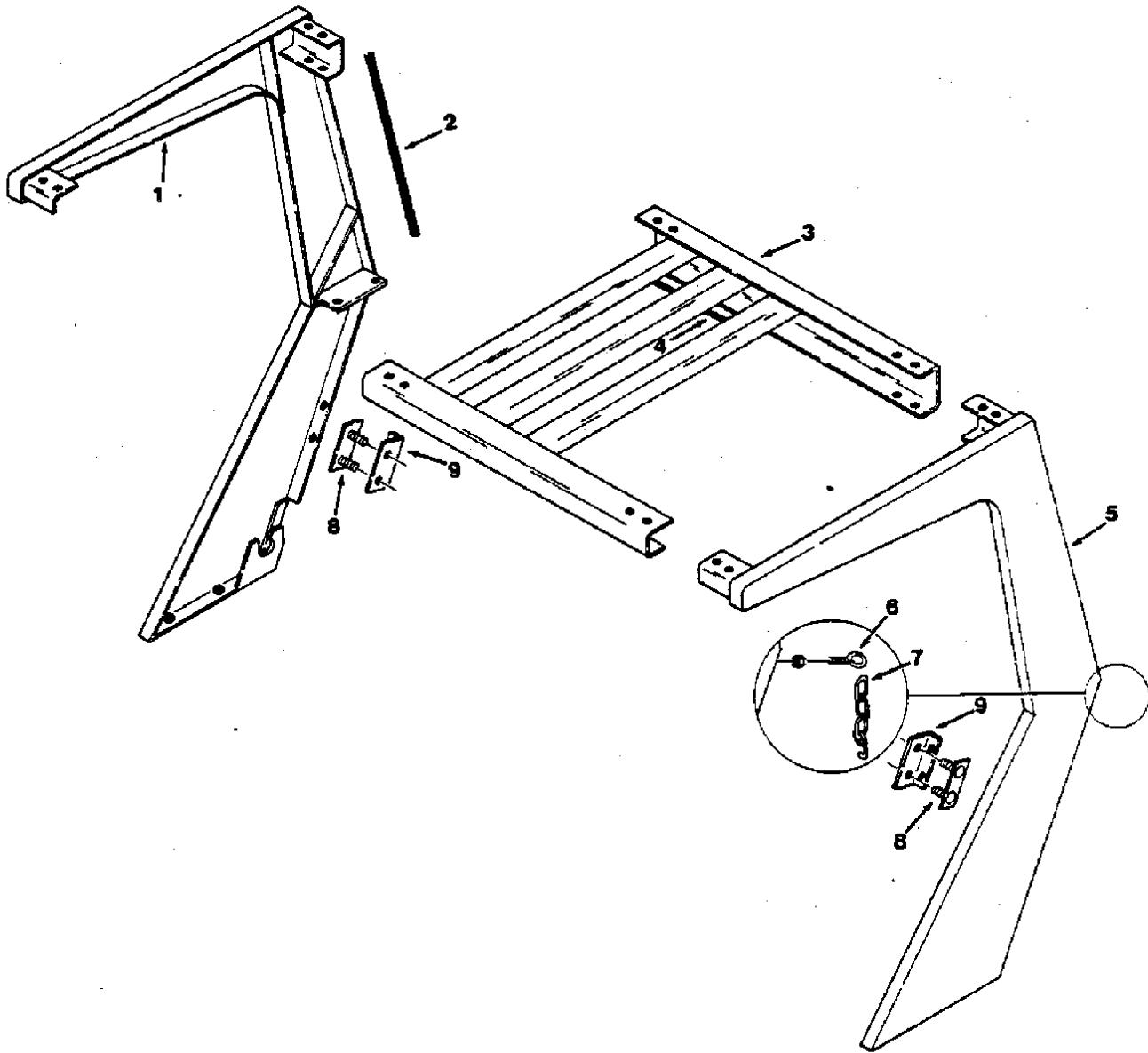


FIG. 5 - OVERHEAD GUARD GROUP

00476

KEY	TENNANT® PART NO.	MACHINE SERIAL NUMBER	DESCRIPTION	QTY.
1	64248	(-)	SUPPORT, Guard, R.H.	1
2	62595-11	(-)	MOLDING, Rigid, 22" (559 mm)	1
3	64247	(-)	CHANNEL, Guard	1
4	62595-2	(-)	MOLDING, Rigid, 15.75" (400 mm)	1
5	64249	(-)	SUPPORT, Guard, L.H.	1
6	11893	(-)	BOLT, Eye	2
7	64491	(-)	CHAIN AND HOOK ASSEMBLY	2
8	69524-1	(-)	STRIP, Fastener	2
9	64274-1	(-)	BRACKET, Mounting	2

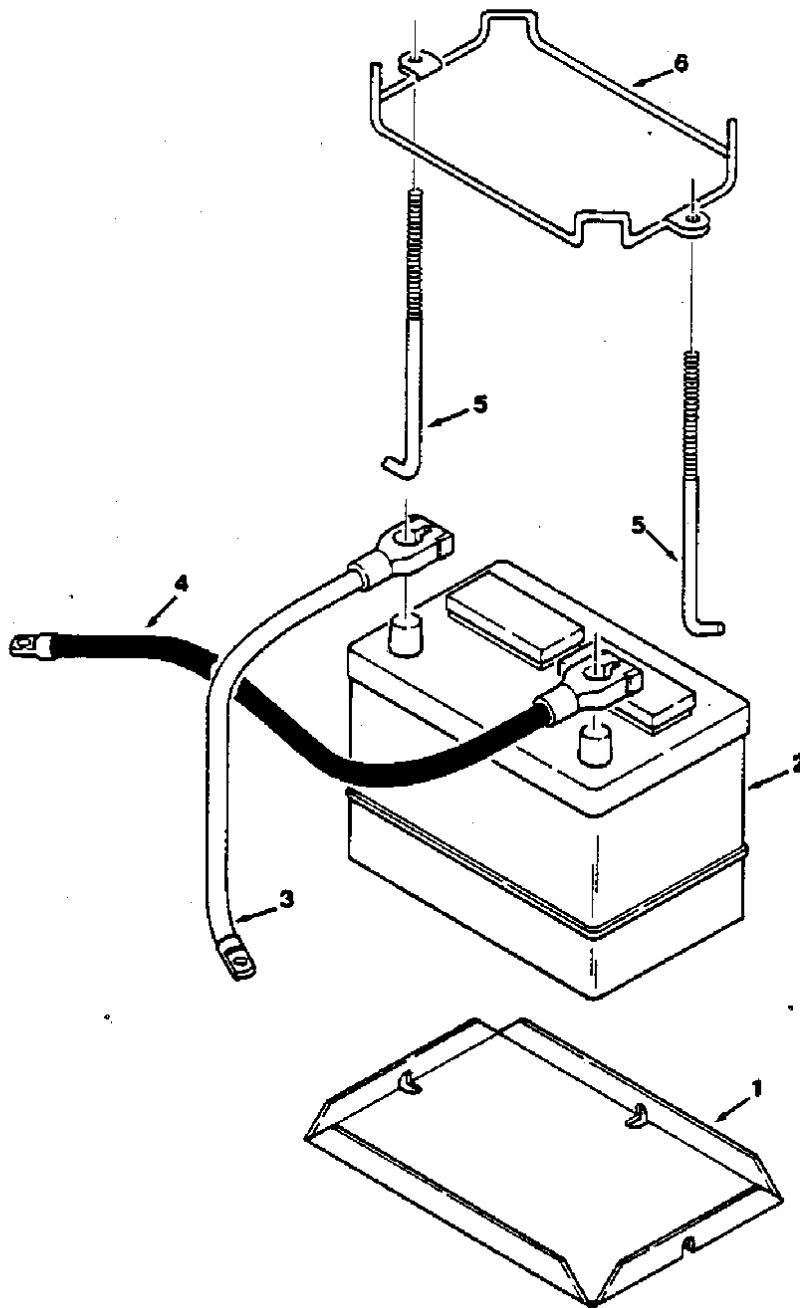


FIG. 6 - BATTERY GROUP

00489

KEY	TENNANT® PART NO.	MACHINE SERIAL NUMBER	DESCRIPTION	QTY.
1	64591	(-)	TRAY, Battery	1
2	61034	(-)	BATTERY, 12 V, 84 A, Wet	1
3	29830-10	(-)	CABLE ASSEMBLY, Battery, positive	1
4	29831-6	(-)	CABLE ASSEMBLY, Battery, negative	1
5	13015-2	(-)	BOLT, Hold down, battery	2
6	13016	(-)	BRACKET, Hold down, battery	1

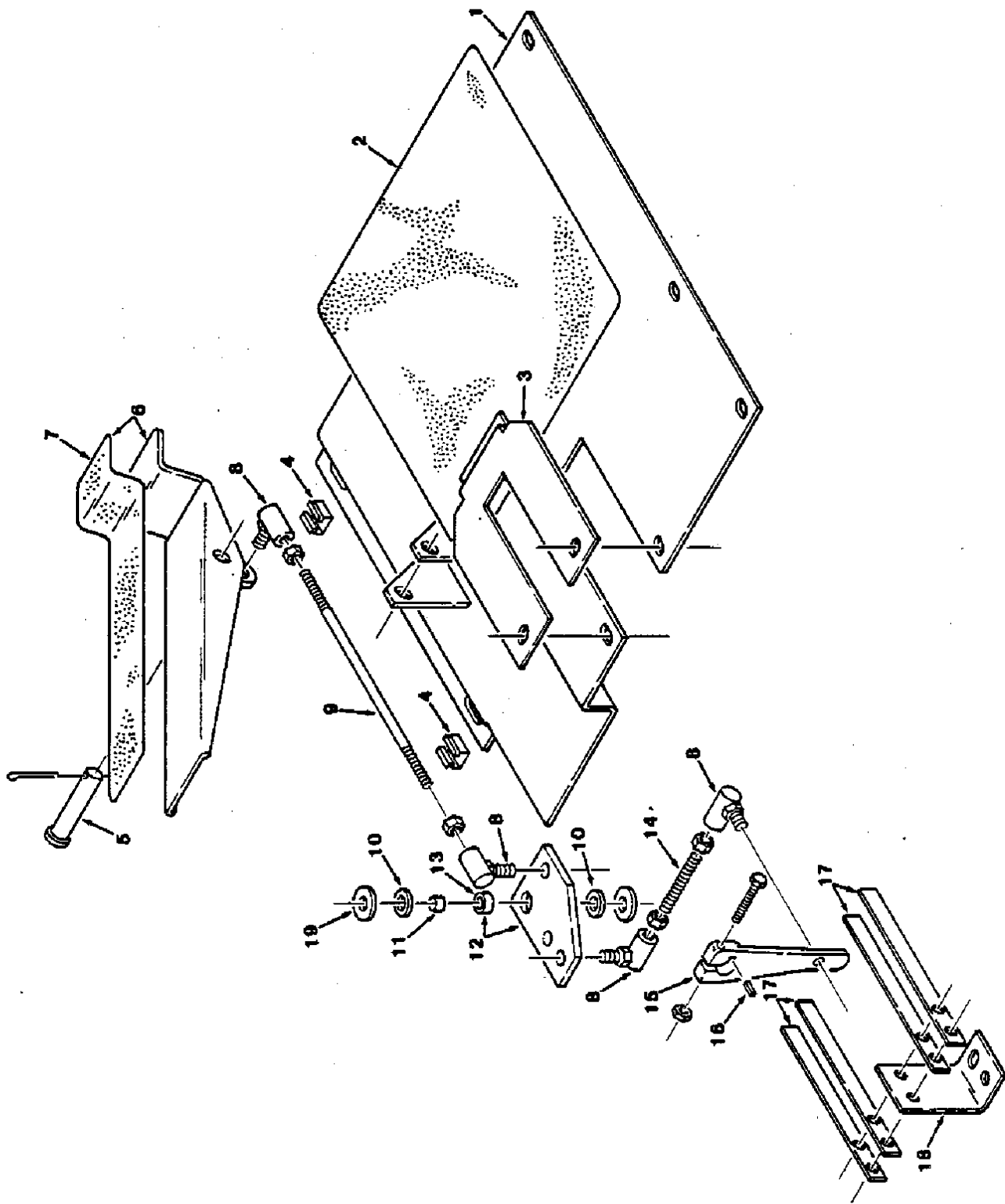


FIG. 7 - DIRECTIONAL CONTROL PEDAL GROUP

FIG. 7 - DIRECTIONAL CONTROL PEDAL GROUP

00474

KEY	TENNANT® PART NO.	MACHINE SERIAL NUMBER	DESCRIPTION	QTY.
1	64370	(-)	PLATE, Floor	1
2	69571	(-)	MAT, Floor	1
3	64028	(-)	DOOR, Floor plate	1
4	29124	(-)	NUT, Retainer	2
5	23683	(-)	PIN, Clevis	1
6	64791	(-)	PEDAL ASSEMBLY	1
7	75430	(-)	PAD, Tread	1
8	51531	(-)	BALL JOINT	4
9	64552	(-)	STUD	1
10	59633	(-)	BEARING, Thrust	2
11	64192	(-)	BEARING, Sleeve	1
12	16331	(-)	LEVER ASSEMBLY, Pump control	1
13	64173	(-)	BEARING	1
14	64553	(-)	STUD	1
15	59271	(-)	LEVER, Pump control	1
16	00910	(-)	KEY, Square	1
17	49681	(-)	PLATE, Spring	4
18	64169	(-)	BRACKET, L	1
19	69461	(-)	WASHER	1

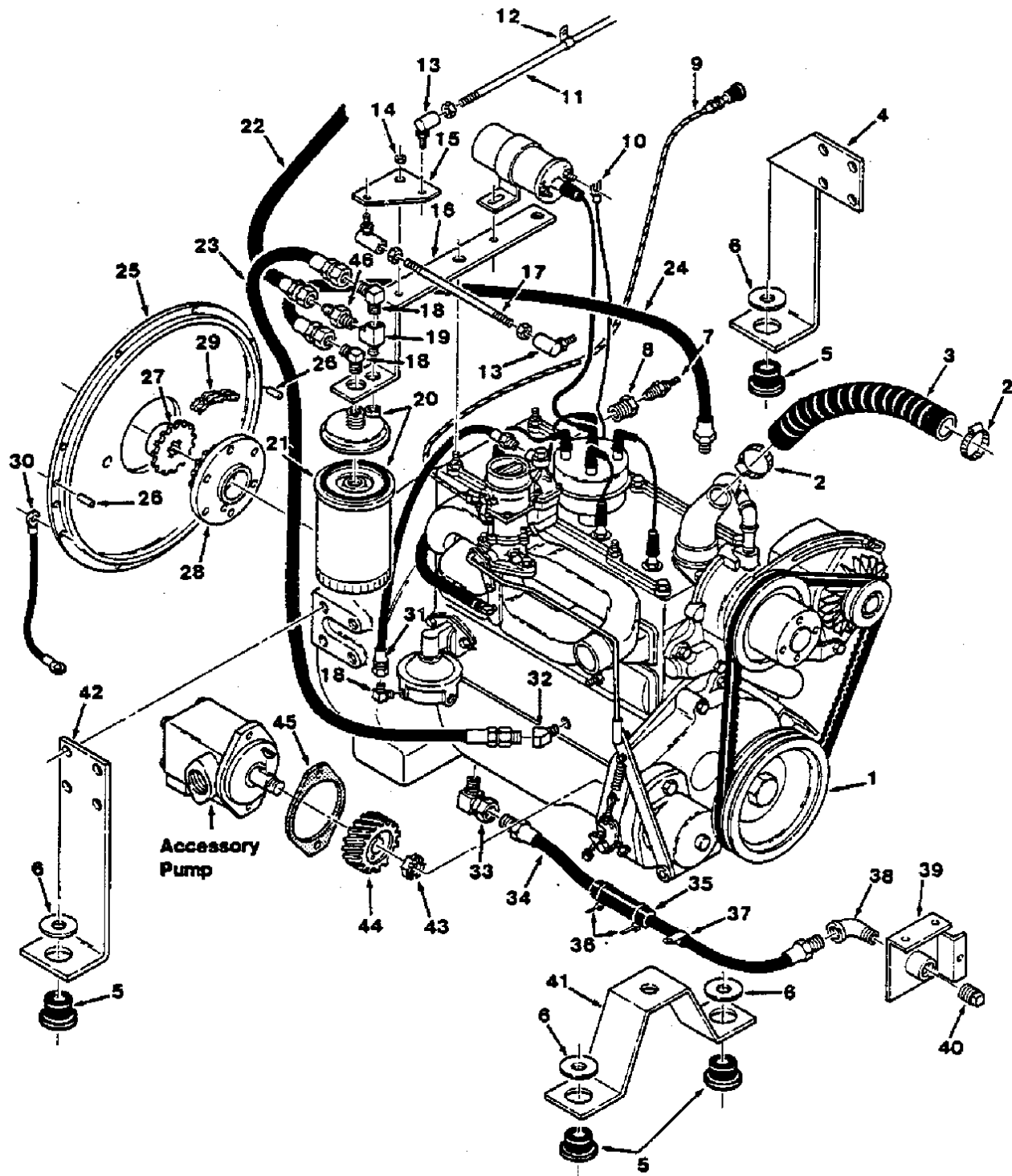


FIG. 8 - ENGINE GROUP, GASOLINE

FIG. 8 - ENGINE GROUP, GASOLINE

00472

KEY	TENNANT® PART NO.	MACHINE SERIAL NUMBER	DESCRIPTION	QTY.
1	64565	(-)	ENGINE, Gasoline	1
2	22297	(-)	CLAMP, Wormdrive	2
3	59367	(-)	HOSE, Radiator	1
4	64367	(-)	BRACKET, Mounting, rear	1
5	51176	(-)	DAMPNER, Engine	4
6	51564	(-)	WASHER	4
7	78005-2	(-)	SENDING UNIT, Temperature	1
8	78170	(-)	FITTING	1
9	69266	(-)	CABLE ASSEMBLY, Choke	1
10	49247	(-)	TERMINAL	1
11	69426	(-)	ROD	1
12	06777	(-)	CLAMP, Cable	1
13	14601	(-)	BALL JOINT	3
14	54160	(-)	SLEEVE	1
15	64195	(-)	BRACKET, Bellcrank	1
16	64174-1	(-)	BRACKET, Filter, oil	1
17	69425	(-)	STUD	1
18	06507	(-)	ELBOW	3
19	26426	(-)	TEE	1
20	53055	(-)	FILTER ASSEMBLY, O	1
21	53055-2	(-)	ELEMENT, Filter, oil	1
22	SK2680	(000000000-xxxxxxxxxx)	HOSE, Hydraulic	1
22	16460	(xxxxxxxxxx-	HOSE, Hydraulic	1
23	11981	(-)	HOSE, Hydraulic	1
24	11986	(-)	HOSE, Hydraulic	1
25	69778	(-)	HOUSING, Drive	1
26	23999-8	(-)	PIN, Roll	2
27	59274	(-)	COUPLING, Spline	1
28	59053	(-)	COUPLING	1
29	53392-3	(-)	CHAIN, Coupling	1
30	29832-5	(-)	CABLE ASSEMBLY	1
31	69781	(-)	HOSE, Gasoline	1
32	24976	(-)	ELBOW	1
33	78032	(-)	ELBOW	1
34	11442-29	(-)	HOSE, Hydraulic	1
35	51918	(-)	HOSE, Rubber	1
36	49266	(-)	TIE, Cable	2
37	69234	(-)	CLAMP, Cable	1
38	11869	(-)	ELBOW	1
39	69410	(-)	BRACKET	1
40	17521	(-)	PLUG	1
41	64368	(-)	BRACKET, Mounting, front	1
42	64366	(-)	BRACKET, Mounting, rear	1
43	15456	(-)	NUT	1
44	48676	(-)	GEAR, Pump	1
45	59186-3	(-)	GASKET, Pump	1
46	22383	(-)	CONNECTOR	1

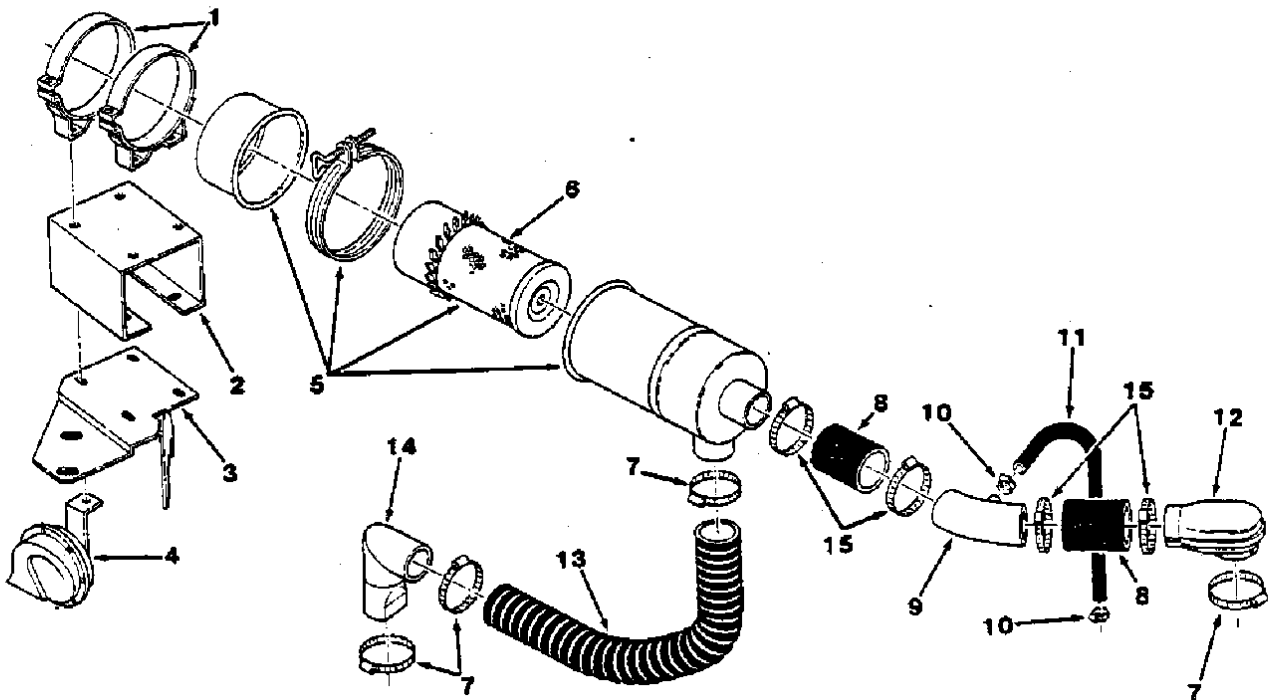


FIG. 9 - AIR CLEANER GROUP, GASOLINE

00447

KEY	TENNANT® PART NO.	MACHINE SERIAL NUMBER	DESCRIPTION	QTY.
1	51560-3	(-)	CLAMP, Mounting	2
2	69595	(-)	BRACKET, Spacer	1
3	63617	(-)	BRACKET, Filter	1
4	14138A	(-)	HORN	1
5	54141-1	(-)	AIR CLEANER	1
6	51561	(-)	ELEMENT, Air cleaner	1
7	22297	(-)	CLAMP, Worm drive	4
8	15543	(-)	HOSE	2
9	69597	(-)	TUBE	1
10	54333	(-)	CLAMP, Worm drive	2
11	54173	(-)	HOSE	1
12	52641	(-)	ELBOW, Carburetor	1
13	63517	(-)	HOSE, PVC	1
14	69569	(-)	ELBOW, Air inlet	1
15	55367	(-)	CLAMP, Worm drive	4

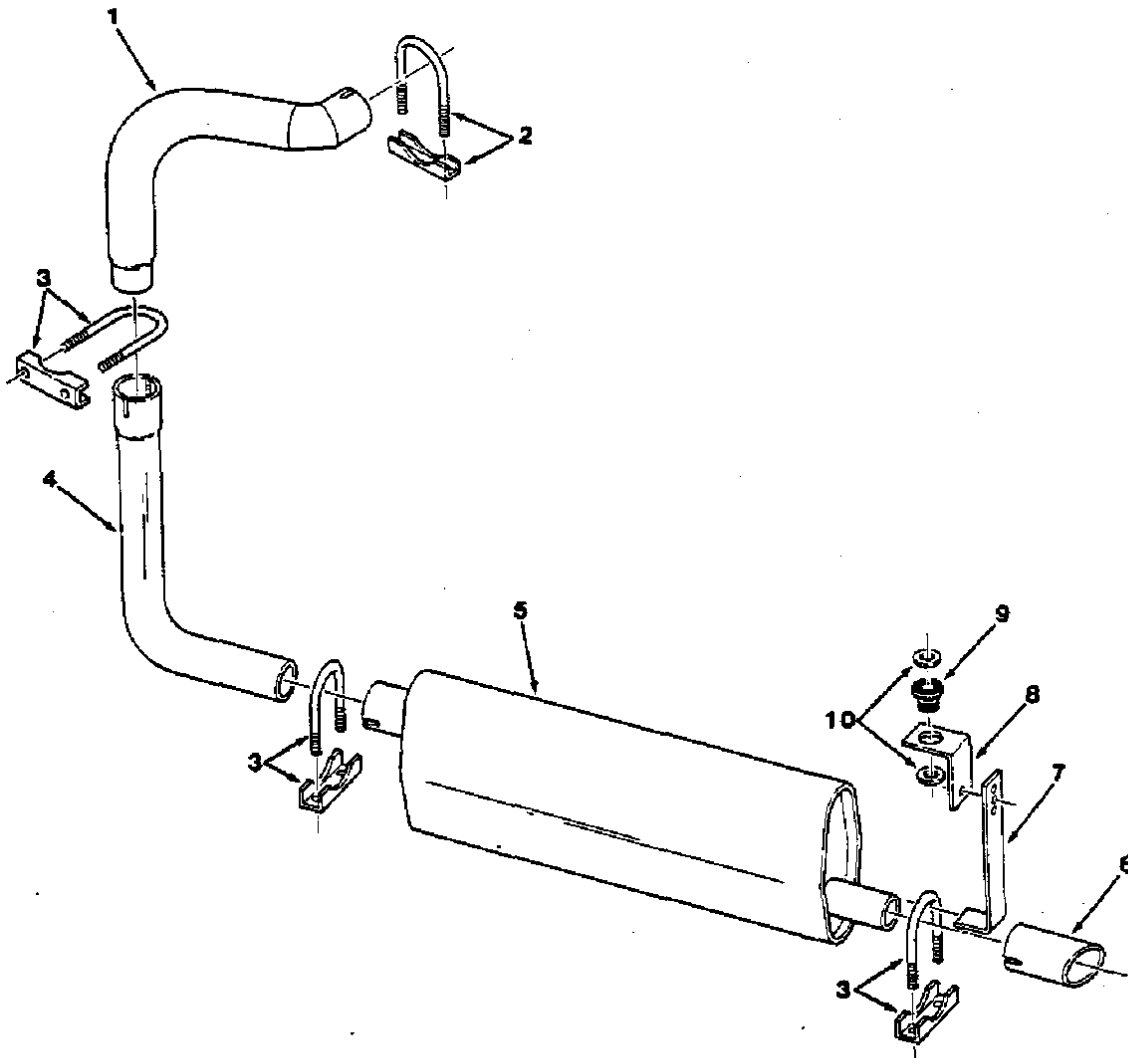


FIG. 10 - EXHAUST SYSTEM GROUP

00409

KEY	TENNANT® PART NO.	MACHINE SERIAL NUMBER	DESCRIPTION	QTY.
1	64194	(-)	TUBE, Exhaust	1
2	05881	(-)	CLAMP, Muffler	1
3	24012-1	(-)	CLAMP, Muffler	3
4	64193	(-)	TUBE, Exhaust	1
5	69208	(-)	MUFFLER, Oval	1
6	64107	(-)	PIPE, Tail	1
7	64636	(-)	BRACKET, L	1
8	47989	(-)	BRACKET, L	1
9	54274	(-)	ISOLATOR, Vibration	1
10	09832	(-)	WASHER	2

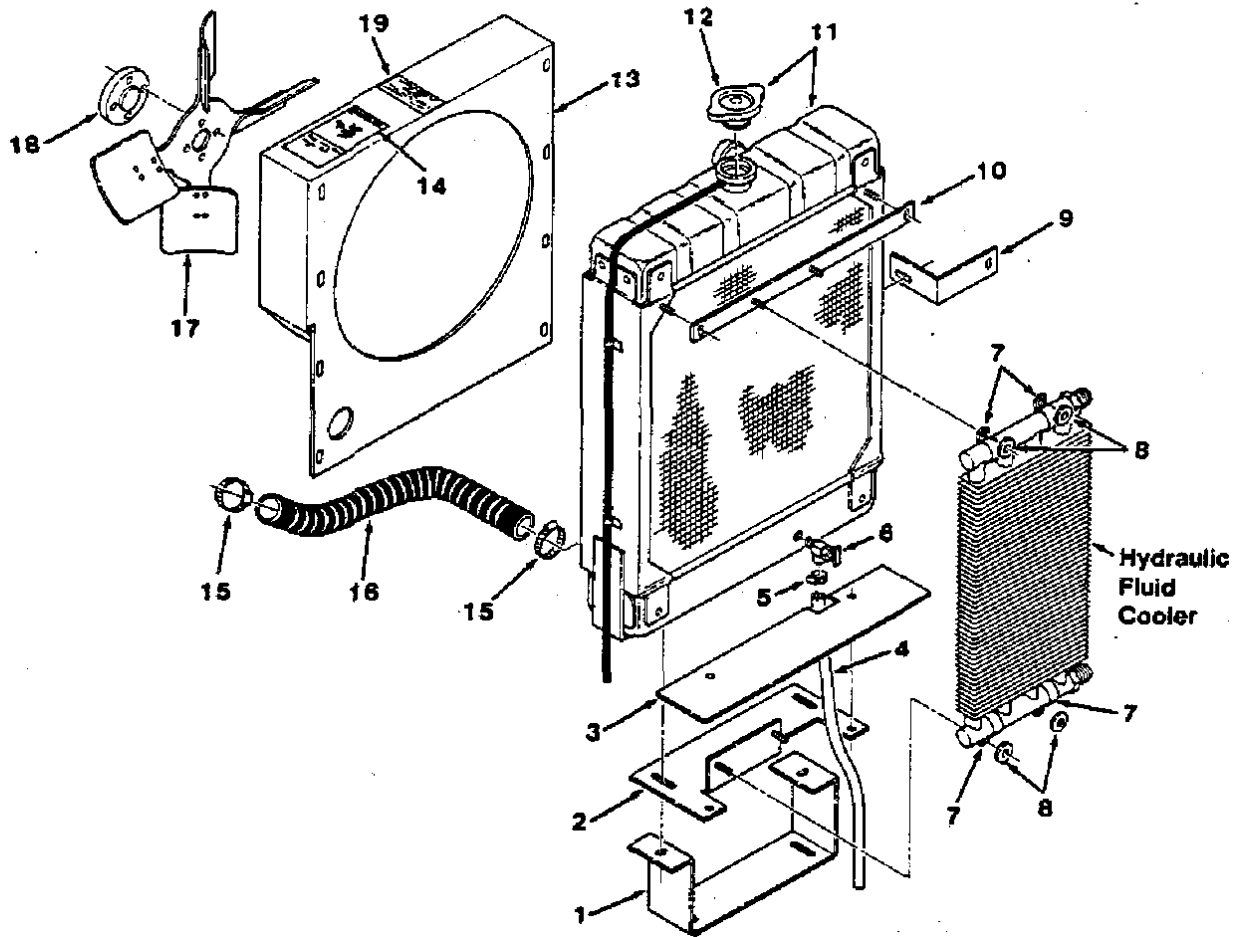


FIG. 11 - RADIATOR GROUP

00461

KEY	TENNANT® PART NO.	MACHINE SERIAL NUMBER	DESCRIPTION	QTY.
1	69559	(-)	MOUNT, Radiator	1
2	69560-1	(-)	MOUNT, Oil cooler	1
3	69632	(-)	DEFLECTOR, Air	1
4	69276	(-)	HOSE, Vinyl	1
5	54333	(-)	CLAMP, Wormdrive	1
6	69243	(-)	DRAIN COCK	1
7	40678-1	(-)	CLAMP, Cable	4
8	29570	(-)	WASHER	5
9	64177	(-)	BRACKET	1
10	69483-1	(-)	STRAP	1
11	64724	(-)	RADIATOR ASSEMBLY	1
12	48655	(-)	CAP, Radiator	1
13	69761	(-)	SHROUD AND DECAL ASSEMBLY	1
14	68962	(-)	DECAL, Warning, Fan	1
15	11531	(-)	CLAMP, Wormdrive	2
16	10323	(-)	HOSE, Radiator	1
17	59324	(-)	FAN	1
18	59330	(-)	SPACER, Fan	1
19	51368	(-)	DECAL, Maintenance note	1

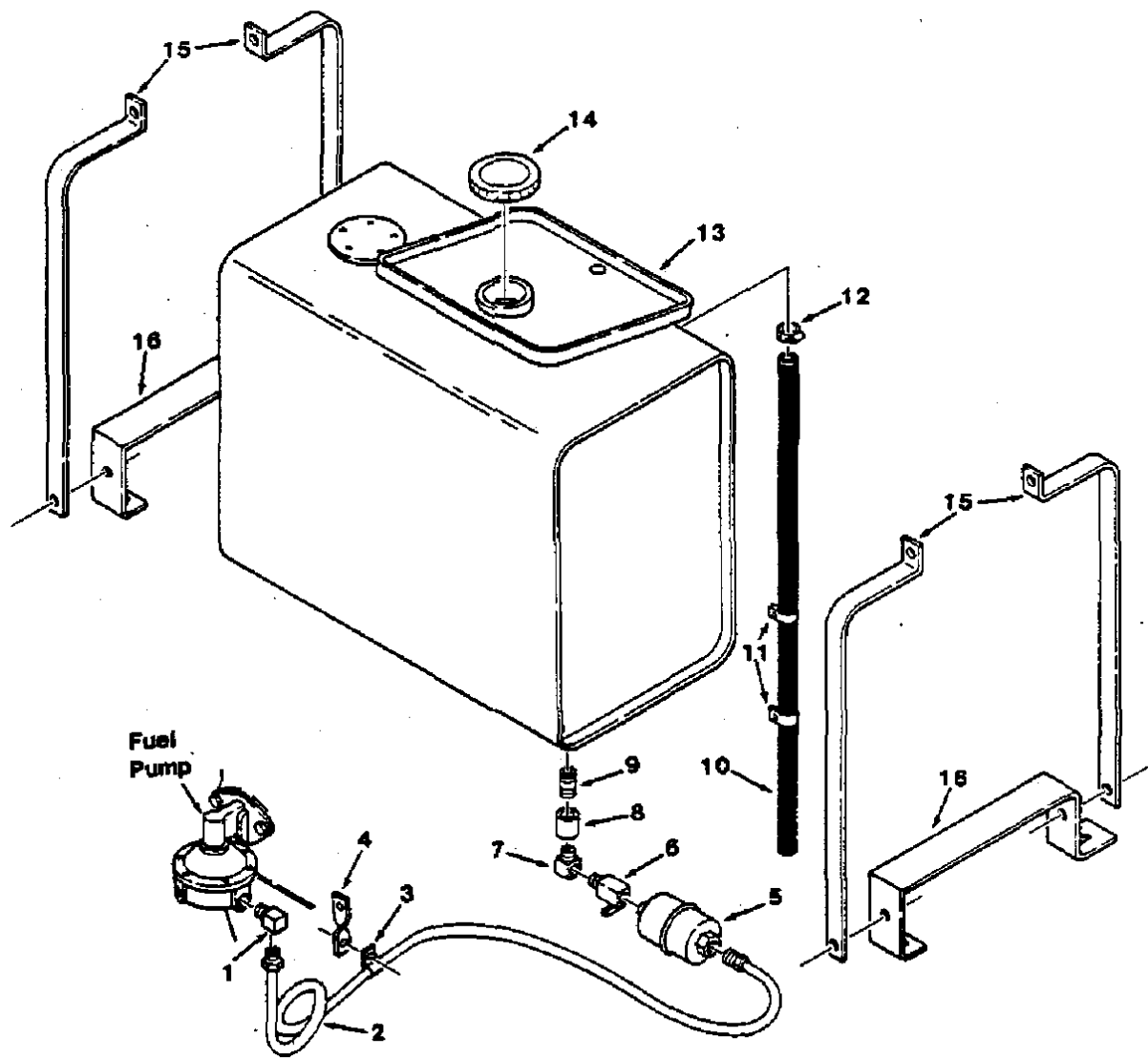


FIG. 12 - FUEL TANK GROUP, GASOLINE

00468

KEY	TENNANT® PART NO.	MACHINE SERIAL NUMBER	DESCRIPTION	QTY.
1	15555-1	(.)	ELBOW	1
2	69598	(.)	LINE, Gasoline	1
3	46236	(.)	CLAMP, Cable	4
4	69465	(.)	STRIP, Clamp	2
5	62050	(.)	FILTER, Gasoline	1
6	13988	(.)	COCK	1
7	11984	(.)	ELBOW	1
8	11848	(.)	COUPLING	1
9	17413	(.)	NIPPLE	1
10	69593	(.)	HOSE, Gasoline line	1
11	40678-1	(.)	CLAMP, Cable	2
12	54333	(.)	CLAMP, Wormdrive	1
13	69592	(.)	TANK, Fuel	1
14	48267	(.)	CAP, Gasoline	1
15	64627	(.)	STRIP, Gasoline tank	4
16	64546	(.)	BRACKET, Mounting	2

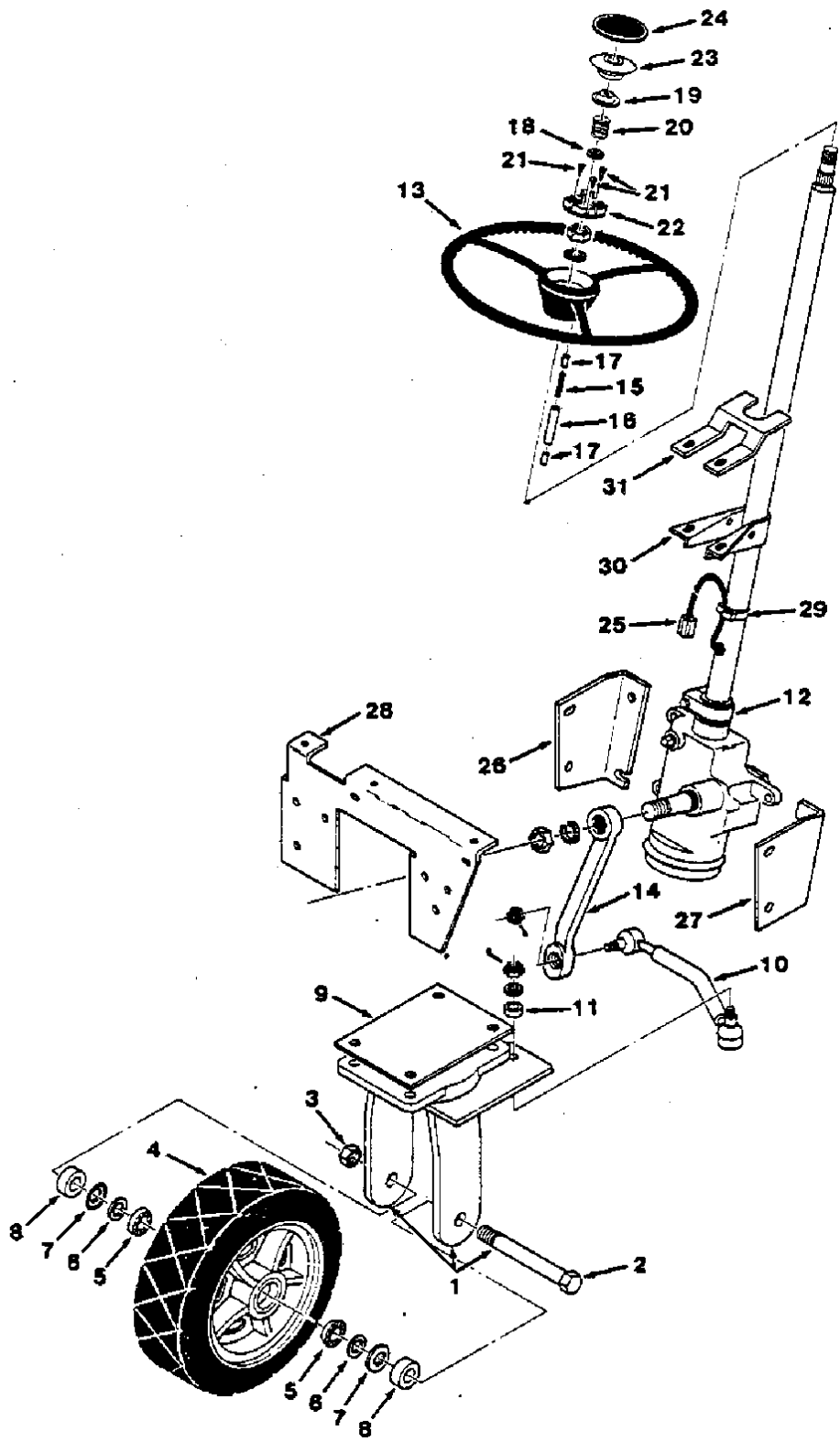


FIG. 13 - STEERING AND FRONT CASTER ASSEMBLY

Home	Find...	Go To..	←	→
------	---------	---------	---	---

FIG. 13 - STEERING AND FRONT CASTER ASSEMBLY

00471

KEY	TENNANT® PART NO.	MACHINE SERIAL NUMBER	DESCRIPTION	QTY.
	69723	(-)	CASTER ASSEMBLY	1
1	64571	(-)	CASTER	1
2	56850-2	(-)	SCREW, Hex	1
3	56850-3	(-)	NUT, Lock	1
4	56267	(-)	TIRE AND WHEEL ASSEMBLY	1
	56266	(-)	TIRE	1
5	56851-1	(-)	BEARING, Roller	2
6	56851-3	(-)	WASHER	2
7	56851-2	(-)	COVER, Dust	2
8	56852	(-)	SLEEVE	2
9	69751	(-)	PLATE, Spacer	1
10	64297	(-)	LINK, Steering	1
11	56719	(-)	SLEEVE	1
	69424	(-)	STEERING GEAR ASSEMBLY	1
	56522	(-)	GEAR ASSEMBLY, Steering	1
12	56518	(-)	GEAR AND COLUMN ASSEMBLY, Steering	1
13	47008	(-)	WHEEL, Steering	1
14	47009	(-)	ARM, Pitman	1
	47011	(-)	HORN BRUSH ASSEMBLY	1
15	46313	(-)	SPRING	1
16	46312	(-)	TUBE, Acrylic	1
17	46311	(-)	BRUSH, Horn	2
	47010	(-)	HORN BUTTON KIT	1
18	47010-1	(-)	CAP, Contact	1
19	47010-2	(-)	CUP, Contact	1
20	47010-3	(-)	SPRING, Horn Button	1
21	47010-4	(-)	WOOD SCREW, Horn Button	3
22	47010-5	(-)	BASE PLATE ASSEMBLY	1
23	47010-6	(-)	HORN BUTTON	1
24	47010-7	(-)	COVER, Horn button	1
25	50474	(-)	TERMINAL	1
26	64358	(-)	BRACKET, Steering gear, R.H.	1
27	64359	(-)	BRACKET, Steering gear, L.H.	1
28	64777-1	(-)	BRACKET, Steering	1
29	64155	(-)	CLAMP, Horn lead	1
30	23315-2	(-)	SUPPORT, Steering column	1
31	69752	(-)	BRACKET, Stiffener	1

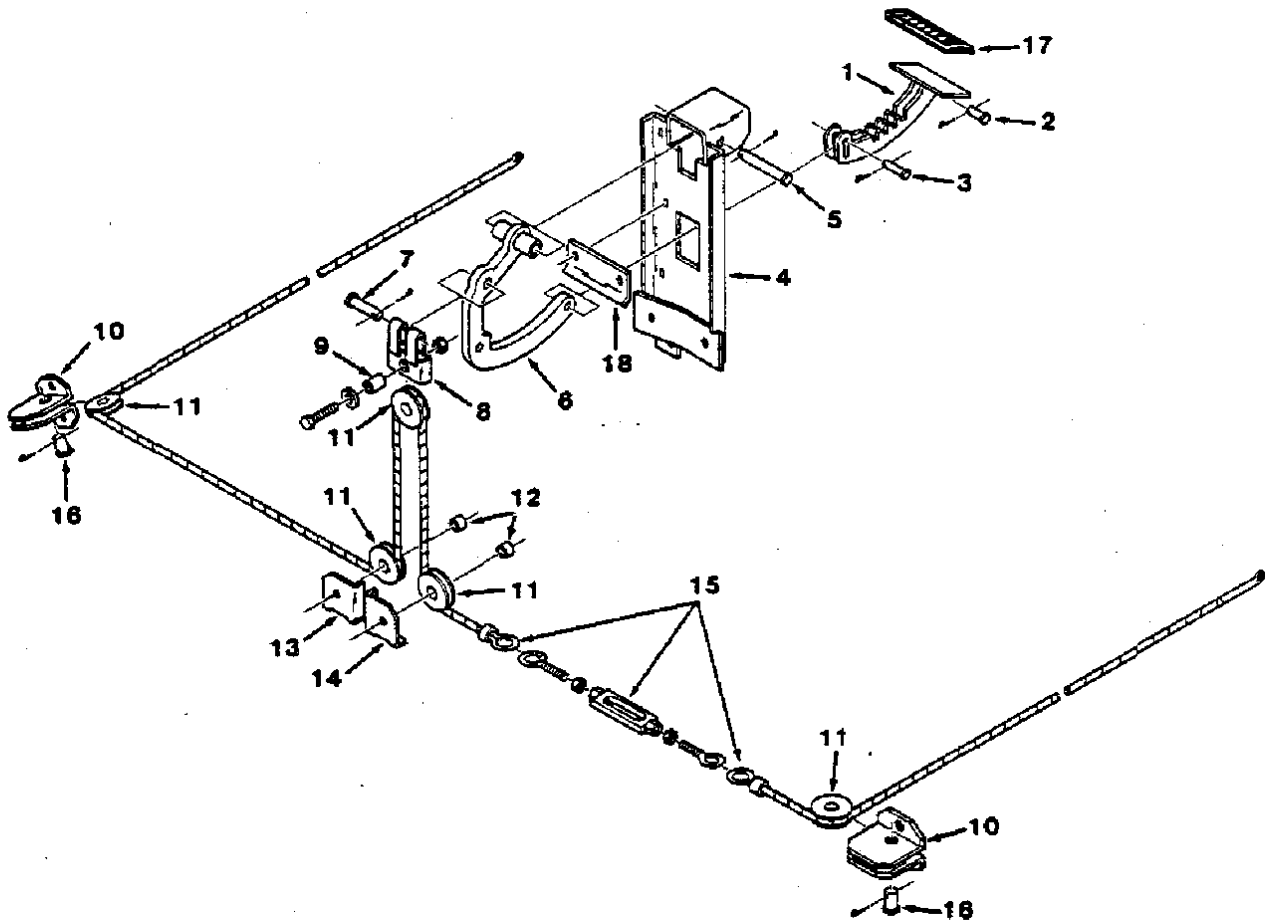


FIG. 14 - BRAKE PEDAL AND LINKAGE ASSEMBLY

00485

KEY	TENNANT® PART NO.	MACHINE SERIAL NUMBER	DESCRIPTION	QTY.
	69748	(-)	BRAKE ASSEMBLY	1
1	64466	(-)	RACHET	1
2	09088	(-)	PIN, Clevis	1
3	17870	(-)	PIN, Clevis	1
4	64985	(-)	BRACKET	1
5	23683	(-)	PIN, Clevis	1
6	64839	(-)	PLATE, Brake pedal	1
7	43290	(-)	PIN, Clevis	1
8	64710	(-)	BLOCK	1
9	64709	(-)	SLEEVE	1
10	64983	(-)	BRACKET	2
11	46328	(-)	ROLLER, Cable	5
12	64991	(-)	SLEEVE	2
13	64990	(-)	GUARD, Sheave, R.H.	1
14	64C30-1	(-)	GUARD, Sheave, L.H.	1
15	64045	(-)	CABLE ASSEMBLY	1
16	51530	(-)	PIN, Clevis	2
17	51109	(-)	PAD	1
18	64696	(-)	PLATE, Striker	1

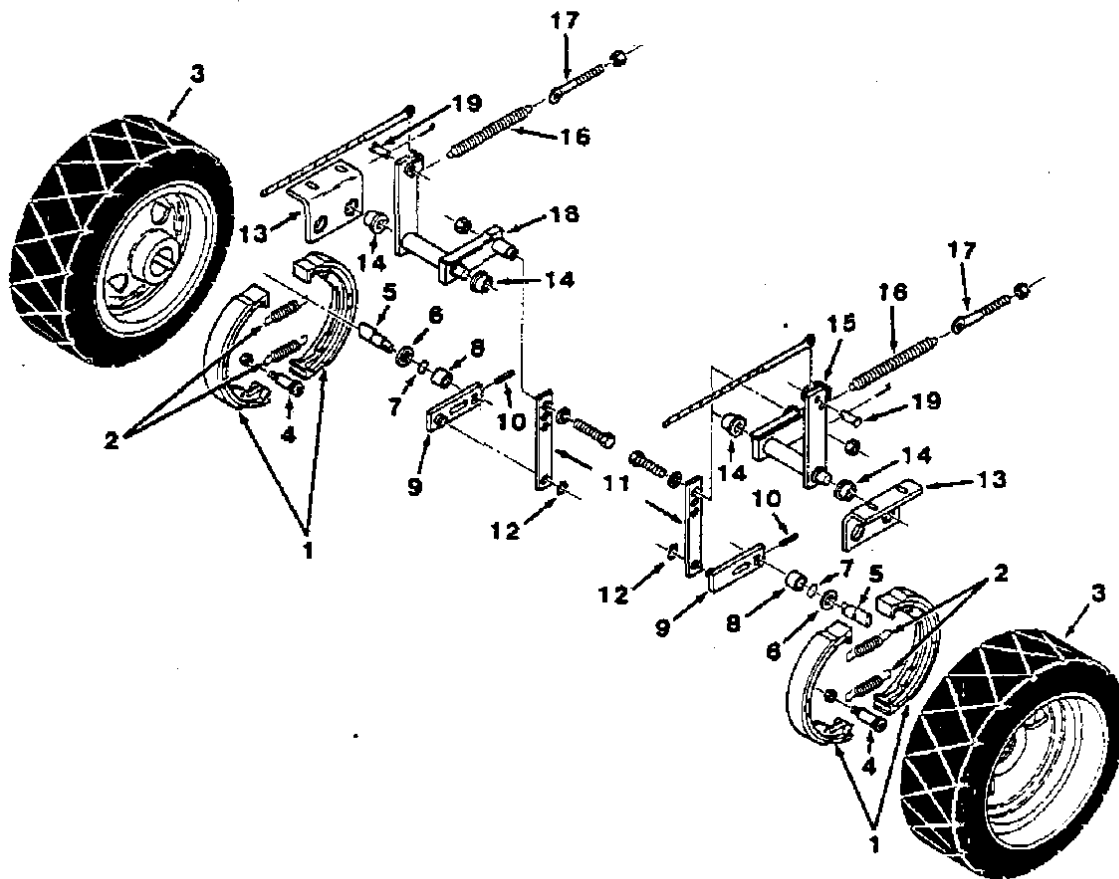


FIG. 15 - REAR BRAKE GROUP

00477

KEY	TENNANT® PART NO.	MACHINE SERIAL NUMBER	DESCRIPTION	QTY.
1	56058	(-)	BRAKE SHOE AND LINING ASSEMBLY	4
2	09758	(-)	SPRING, Tension	4
3	69534	(-)	WHEEL HUB AND TIRE ASSEMBLY	2
	69553	(-)	TIRE	1
4	56060	(-)	SCREW, Shoulder	2
5	23272	(-)	CAM	2
6	59633	(-)	BEARING, Thrust	2
7	69365-3	(-)	O-RING	2
8	64002	(-)	BUSHING	2
9	64736	(-)	LEVER, Brake	2
10	11476	(-)	PIN, Roll	2
11	64698	(-)	STRIP	2
12	23524-1	(-)	RING, Retaining	2
13	64708	(-)	BRACKET, L	2
14	69797	(-)	BUSHING, Brass	4
15	64719	(-)	ARM, Rocker, L.H.	1
16	69607	(-)	SPRING, Tension	2
17	10444	(-)	EYEBOLT	2
18	64718	(-)	ARM, Rocker, R.H.	1
19	51727	(-)	PIN, Clevis	2

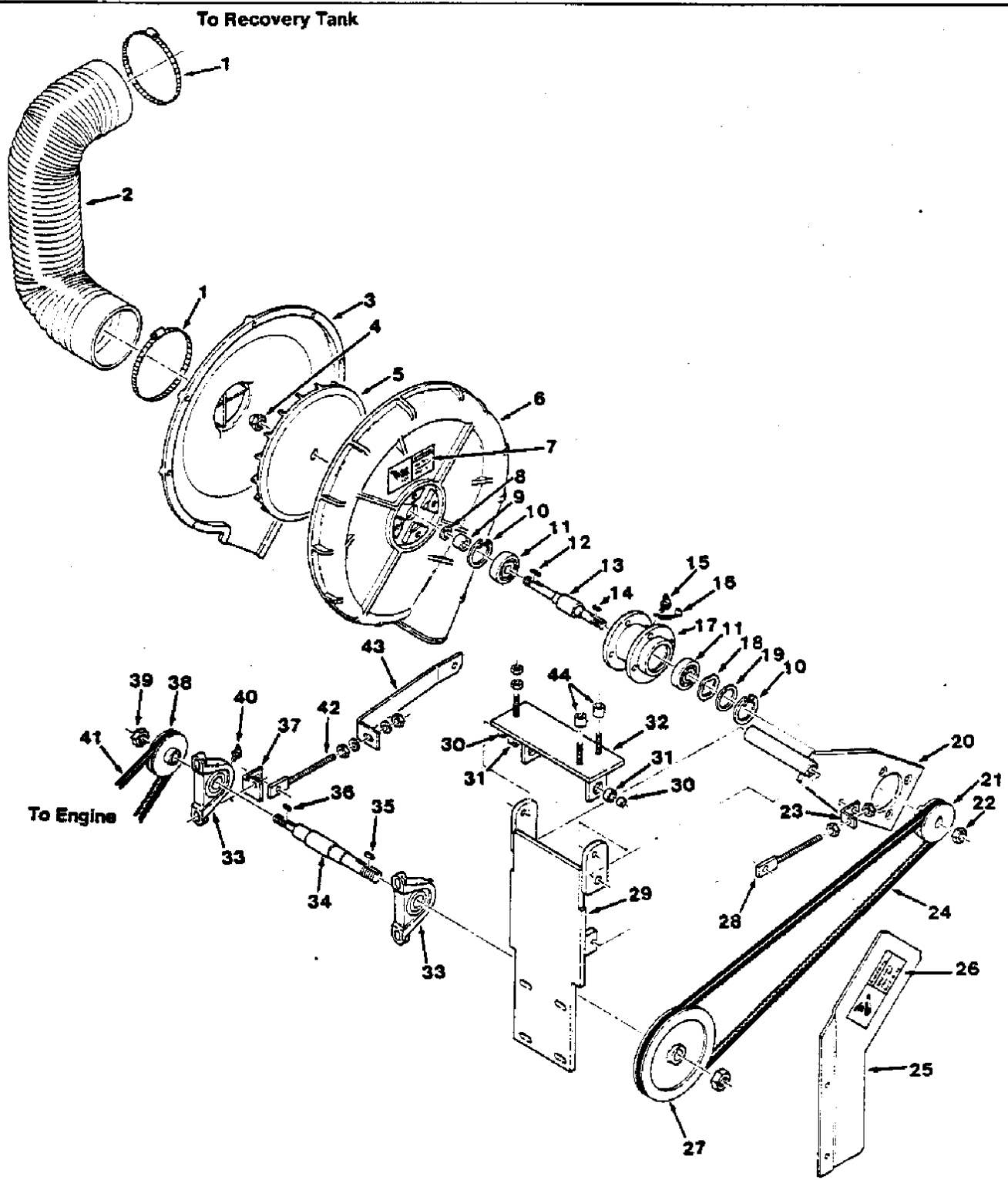




FIG. 18 - VACUUM FAN AND JACKSHAFT ASSEMBLY

FIG. 16 - VACUUM FAN AND JACKSHAFT ASSEMBLY

00473

KEY	TENNANT® PART NO.	MACHINE SERIAL NUMBER	DESCRIPTION	QTY.
1	23498	(-)	CLAMP, Wormdrive	2
2	89250	(-)	HOSE AND CUFF ASSEMBLY, Vinyl	1
	63522	(-)	FAN ASSEMBLY, 527	1
3	75455	(-)	HOUSING, Inlet	1
4	41130	(-)	NUT, Acorn, 0.50" - 20	1
	76034	(-)	LOCTITE, Nut, 0.3 oz (10 cc)	1
5	75451	(-)	IMPELLER	1
6	75469	(-)	HOUSING, Outlet	1
	40393	(-)	PERMATEX, Tube, 11 oz (325 cc)	1
7	63507	(-)	DECAL, Warning, vacuum fan	1
8	75456	(-)	SHIM, 0.003" (0.08 mm)	1
	75456-1	(-)	SHIM, 0.005" (0.12 mm)	1
	75456-2	(-)	SHIM, 0.010" (0.25 mm)	1
	75456-3	(-)	SHIM, 0.020" (0.50 mm)	1
	75456-4	(-)	SHIM, 0.060" (1.50 mm)	1
9	75461	(-)	SLEEVE	1
10	10464	(-)	RING, Retaining	2
11	40496	(-)	BEARING, Ball	2
12	00966	(-)	KEY, Square	1
13	75453	(-)	SHAFT, Fan	1
	01430-8	(-)	SEALANT, Tube, 1 oz (30 cc)	1
14	00960	(-)	KEY, Square	1
15	11716	(-)	FITTING, Grease	1
16	40390	(-)	COVER, Grease	1
	01433-1	(-)	GREASE, High-speed, tube, 14.5 oz (429 cc)	1
17	75452	(-)	HOUSING, Bearing	1
18	42809	(-)	WASHER, Wavy spring	1
19	75454	(-)	SHIM, 0.070" (1.8 mm)	1
20	64086	(-)	BRACKET, Vacuum fan	1
21	76882	(-)	SHEAVE, Fan	1
22	76184	(-)	NUT, Hex	1
23	64084	(-)	BRACKET, L	1
24	64900	(-)	V-BELT	1
25	69762	(-)	GUARD, Belt	1
26	69709	(-)	DECAL, Warning, belt	1
	63523	(-)	JACKSHAFT AND BEARING ASSEMBLY	1
27	69201	(-)	SHEAVE, Countershaft	1
28	64079	(-)	SCREW, Jackshaft adjusting	1
29	64074	(-)	MOUNT, Jackshaft	1
30	64085	(-)	SLEEVE	2
31	40840	(-)	BUSHING, Bronze	2
32	64072	(-)	PIVOT, Jackshaft	1
33	64577	(-)	BEARING, Pillowblock	2
34	64592	(-)	SHAFT, Idler	1
35	00911	(-)	KEY, Square	1
36	00966	(-)	KEY, Square	1
37	69212	(-)	PLATE, Bent	1
38	76882	(-)	SHEAVE, Fan	1
39	76184	(-)	NUT, Hex	1
40	11716	(-)	FITTING, Grease	1
41	64899	(-)	V-BELT	1
42	64079	(-)	SCREW, Jackshaft adjusting	1
43	69213	(-)	BAR, Tension	1
44	40716	(-)	SLEEVE	2

Home Find... Go To..  

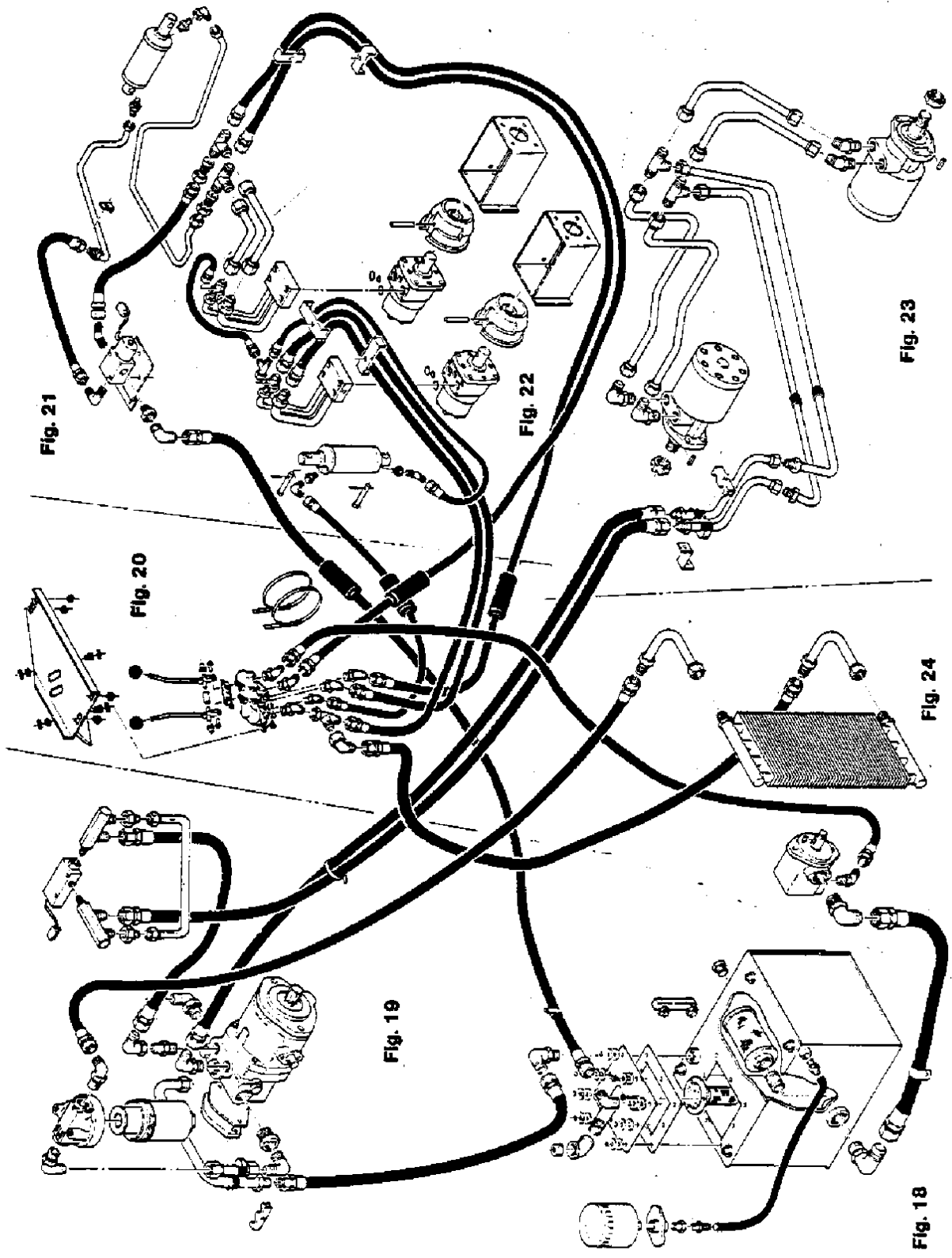


FIG. 17 - COMPLETE HYDRAULIC SYSTEM

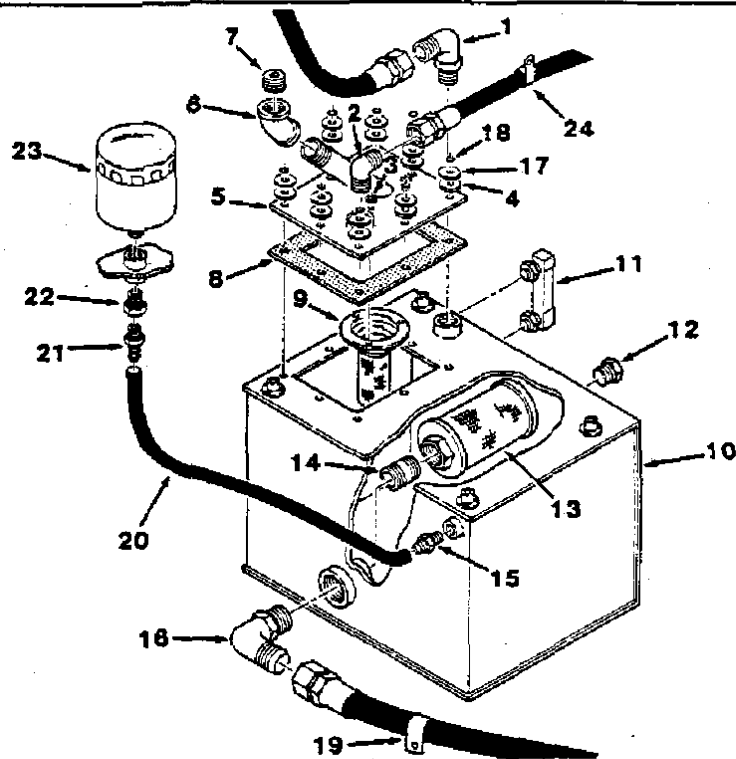


FIG. 18 - HYDRAULIC FLUID RESERVOIR GROUP

00508

KEY	TENNANT® PART NO.	MACHINE SERIAL NUMBER	DESCRIPTION	QTY.
1	47498	(-)	ELBOW	1
2	69097	(-)	ELBOW	1
3	50022	(-)	WASHER, Nylon	3
4	69237	(-)	WASHER, Sealing	8
5	64896	(-)	COVER, Hydraulic reservoir	1
6	56866	(-)	ELBOW, 45°	1
7	69209	(-)	PLUG	1
8	64657	(-)	GASKET, Cover	1
9	48086	(-)	SCREEN	1
10	64667	(-)	RESERVOIR, Hydraulic	1
11	48081	(-)	GAUGE, Sight, hydraulic level	1
12	40362	(-)	PLUG, Hex head	1
13	51885	(-)	FILTER, Sump, hydraulic fluid	1
14	02546	(-)	NIPPLE	1
15	46578	(-)	FITTING, Barbed	1
16	53077	(-)	ELBOW	1
17	29570	(-)	WASHER	8
18	20350	(-)	O-RING	8
19	43560	(-)	CLAMP, Cable	1
20	76589-2	(-)	HOSE, Rubber	1
21	46578	(-)	CONNECTOR, Barbed	1
22	52497	(-)	CONNECTOR	1
23	53430	(-)	FILTER, Pressure relief	1
	53431	(-)	ELEMENT, Breather	1
24	69234	(-)	CLAMP, Hose	1
	32397-5	(-)	HYDRAULIC FLUID, TENNANT® 10W-40 5 gal (18.9 L)	1
	32398-5	(-)	HYDRAULIC FLUID, TENNANT® 20W-60 5 gal (18.9 L)	1

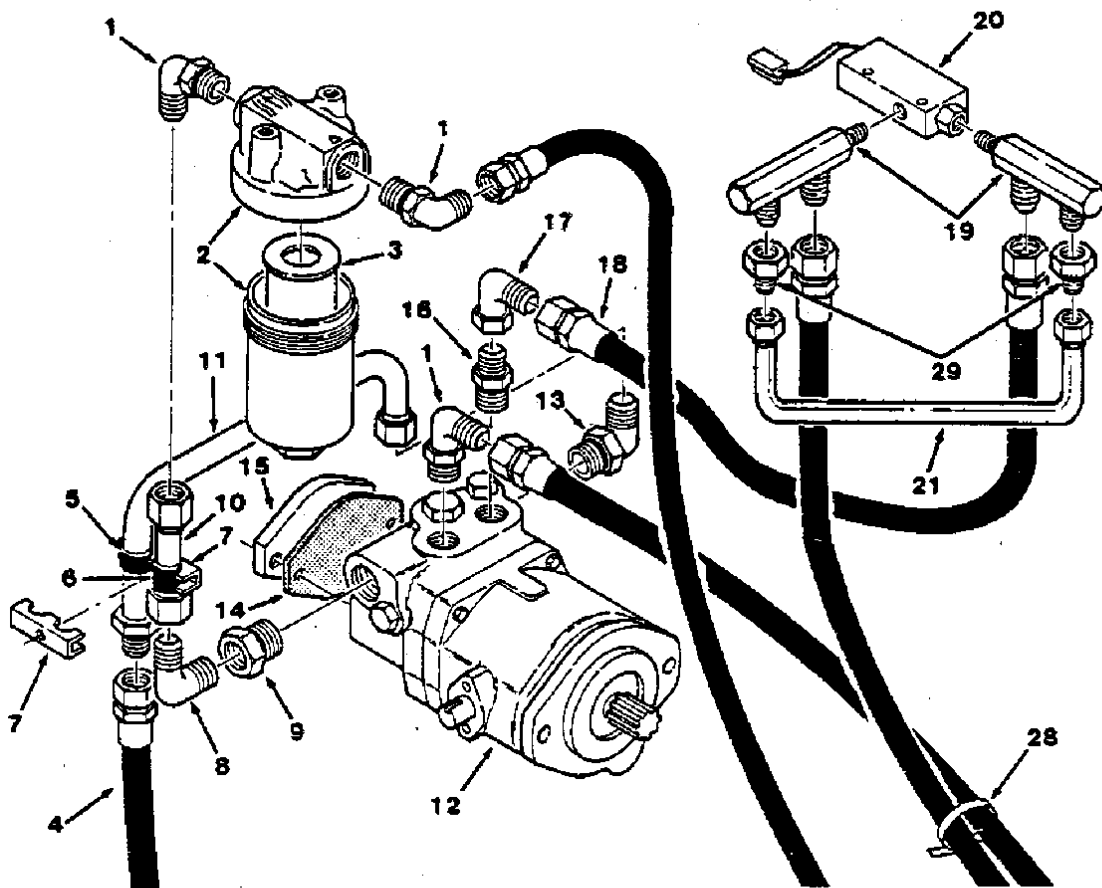


FIG. 19 - HYDRAULIC PROPELLING PUMP AND FLOW SWITCH GROUP

FIG. 19 - HYDRAULIC PROPELLING PUMP AND FLOW SWITCH GROUP

00507

KEY	TENNANT® PART NO.	MACHINE SERIAL NUMBER	DESCRIPTION	QTY.
1	53076	(-)	ELBOW	3
2	62739	(-)	FILTER, Hydraulic fluid	1
3	62739-1	(-)	ELEMENT, Hydraulic fluid filter	1
4	51749	(-)	HOSE, Hydraulic	1
5	69743	(-)	BUSHING, Split, rubber	1
6	69786	(-)	BUSHING, Split, rubber	1
7	56980	(-)	CLAMP, Retaining	1
8	46611	(-)	ELBOW	1
9	54136	(-)	CONNECTOR	1
10	69439	(-)	TUBE, Hydraulic	1
11	64167	(-)	TUBE, Hydraulic	1
12	64056	(-)	PUMP, Hydraulic, propelling	1
	SK1351	(-)	SEAL KIT	
13	52912	(-)	ELBOW	1
14	59298	(-)	GASKET, Cover, pump	1
15	59269	(-)	COVER, Pump	1
16	42223	(-)	CONNECTOR	1
17	54194	(-)	ELBOW	1
18	76682	(-)	HOSE, Hydraulic	1
19	69216	(0000001188-	CONNECTOR, Special	2
20	69218	(0000001188-	SWITCH, Flow	1
	SK2504	(-)	SEAL KIT	1
21	SK2766	(0000001188-0000001989)	REPLACEMENT KIT, Hydraulic tube	1
	16378	(0000001990-	TUBE, Hydraulic	1
22	69223	(0000000000-0000001187)	REPLACEMENT KIT, Flow Switch	1
	SK2504	(-)	SEAL KIT	1
23	69793	(0000000000-0000001187)	CONNECTOR	2
24	69775	(0000000000-0000001187)	TEE	2
25	46607	(0000000000-0000001187)	CONNECTOR	2
26	44862-1	(0000000000-0000001187)	HOSE, Hydraulic	1
27	17771	(0000000000-0000001187)	ELBOW	2
28	49266	(-)	TIE, Cable	10
29	47753	(0000001990-	CONNECTOR	2

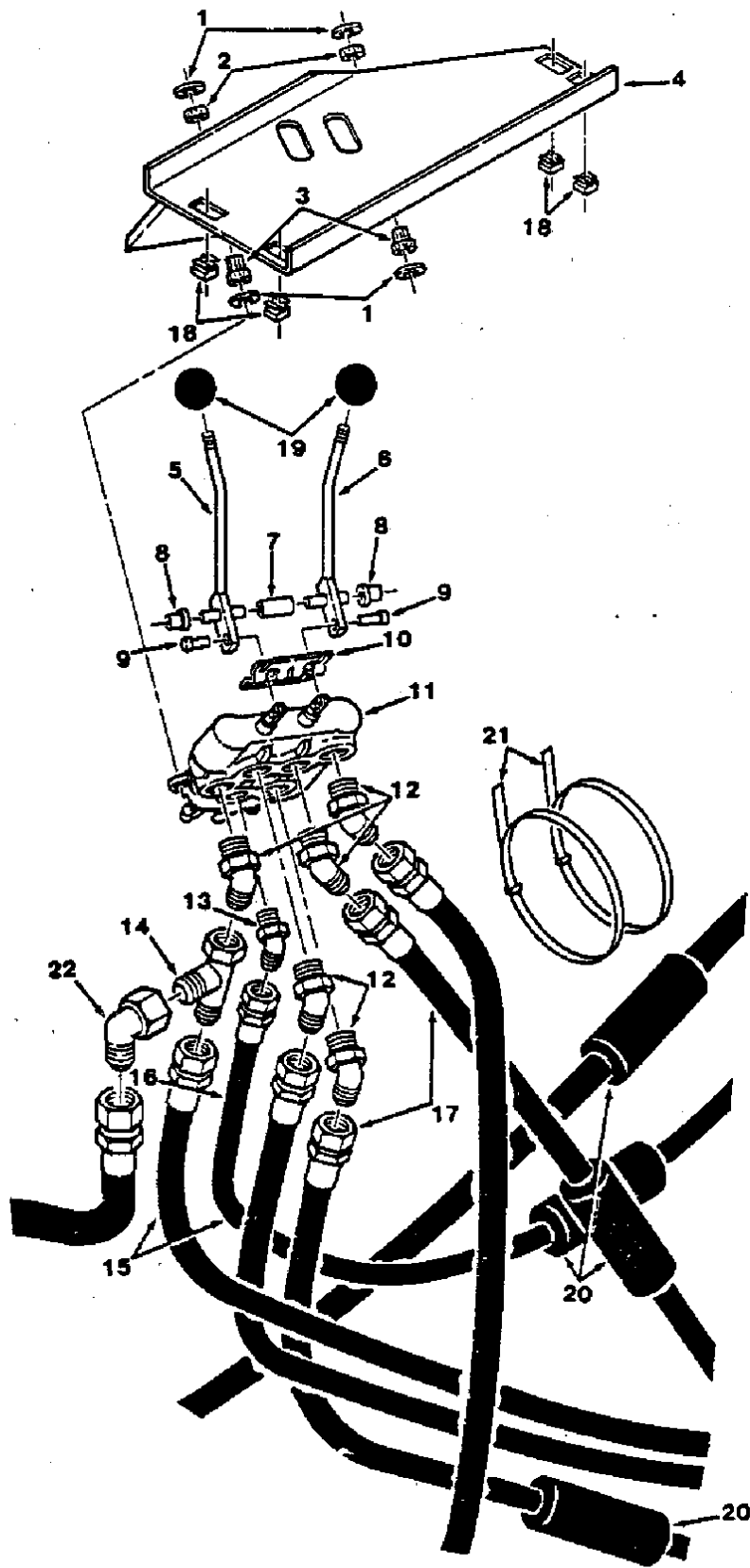


FIG. 20 - CONTROL VALVE PANEL GROUP

FIG. 20 - CONTROL VALVE PANEL GROUP

00509

KEY	TENNANT® PART NO.	MACHINE SERIAL NUMBER	DESCRIPTION	QTY.
1	29570	(-)	WASHER	4
2	54527	(-)	RING, Rubber	2
3	54528	(-)	BUSHING, Rubber	2
4	64824	(-)	MOUNT, Valve	1
5	69421	(-)	HANDLE, R.H.	1
6	69420	(-)	HANDLE, L.H.	1
7	69275	(-)	BEARING	1
8	69570	(-)	FLANGE, Bearing	2
9	23786	(-)	PIN, Clevis	2
10	64940	(-)	BRACKET, Handle	1
11	SK2506	(0000000000-0000001221)	VALVE, Directional, hydraulic	1
	SK2510	(-)	SEAL KIT	1
11	69273	(0000001222-	VALVE, Directional, hydraulic	1
	SK2510	(-)	SEAL KIT	1
12	42226	(-)	ELBOW, 45°	5
13	69241	(-)	ELBOW, 45°	1
14	45482	(-)	TEE	1
15	69431	(-)	HOSE, Hydraulic	2
16	62338	(-)	HOSE, Hydraulic	1
17	69434	(-)	HOSE, Hydraulic	2
18	29124	(-)	NUT, Retainer	4
19	26565	(-)	KNOB, Handle	2
20	51918	(-)	HOSE, Rubber	6
21	44961	(-)	TIE, Cable	2
22	17980	(-)	ELBOW	1

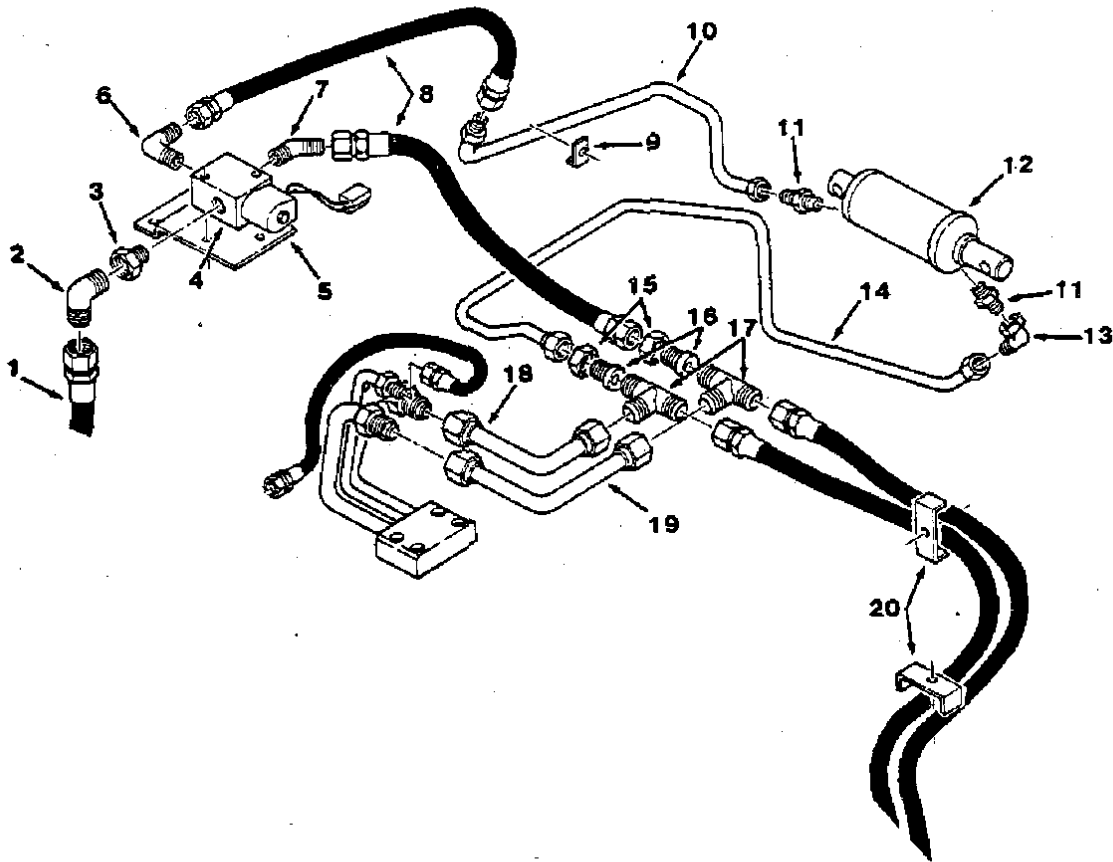


FIG. 21 - REAR SQUEEGEE LIFT CYLINDER GROUP

00511

KEY	TENNANT® PART NO.	MACHINE SERIAL NUMBER	DESCRIPTION	QTY.
1	53083-7	(-)	HOSE, Hydraulic	1
	69271	(-)	VALVE ASSEMBLY, Solenoid	1
2	46611	(-)	ELBOW	1
3	76342	(-)	CONNECTOR	1
4	64819-1	(-)	VALVE, Solenoid	1
	SK2505	(-)	SEAL KIT	1
	25532	(-)	DIODE ASSEMBLY	1
5	64151	(-)	MOUNT, Valve	1
6	52424	(-)	ELBOW	1
7	56811	(-)	ELBOW, 45°	1
8	44862	(-)	HOSE, Hydraulic	2
9	64126	(-)	BRACKET, L	1
10	69435	(-)	TUBE, Hydraulic	1
11	56708	(-)	CONNECTOR	2
12	56107	(-)	CYLINDER	1
13	47504	(-)	ELBOW	1
14	69242	(-)	TUBE, Hydraulic	1
15	47499-1	(-)	TUBE, Nut	2
16	47754	(-)	CONNECTOR	2
17	52456	(-)	TEE	2
18	64146	(-)	TUBE, Hydraulic	1
19	64145	(-)	TUBE, Hydraulic	1
20	64125	(-)	BRACKET, Hose	2

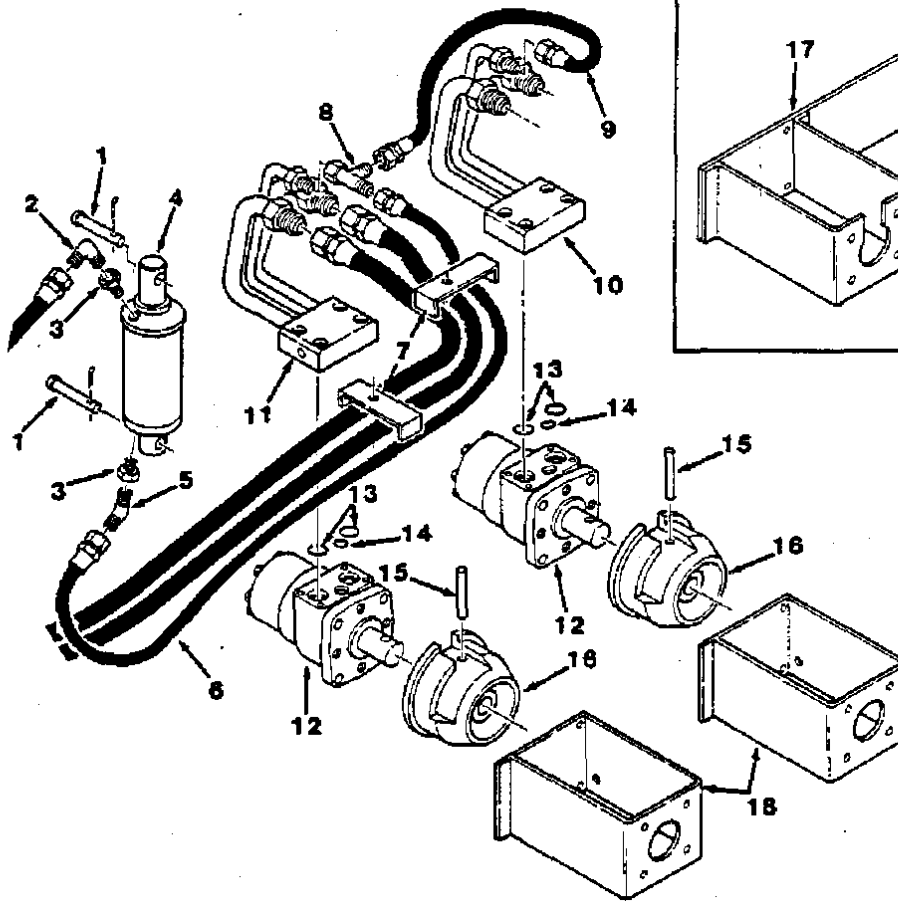


FIG. 22 - HEAD LIFT CYLINDER AND BRUSH DRIVE GROUP

00512

KEY	TENNANT® PART NO.	MACHINE SERIAL NUMBER	DESCRIPTION	QTY.
1	06279	(-)	PIN, Clevis	2
2	45476	(-)	ELBOW	1
3	69736	(-)	CONNECTOR	2
4	56107	(-)	CYLINDER, Hydraulic, head lift	1
5	56689	(-)	ELBOW, 45°	1
6	59198	(-)	HOSE, Hydraulic	1
7	63516	(-)	BRACKET, Hose	2
8	42215	(-)	TEE	1
9	44862	(-)	HOSE, Hydraulic	1
10	16382	(-)	BLOCK, Porting, rear	1
11	16380	(-)	BLOCK, Porting, front	1
12	47650-4 SK1988	(-)	MOTOR, Brush drive	2
13	51403	(-)	SEAL KIT	1
14	14791	(-)	O-RING	2
15	20050	(-)	O-RING	1
16	51036	(-)	PIN, Roll	2
17	56246	(0000000000-0000001858)	PLUG, Brush drive	2
18	16350	(0000001859-)	MOUNT, Motor	1
			MOUNT, Motor	2

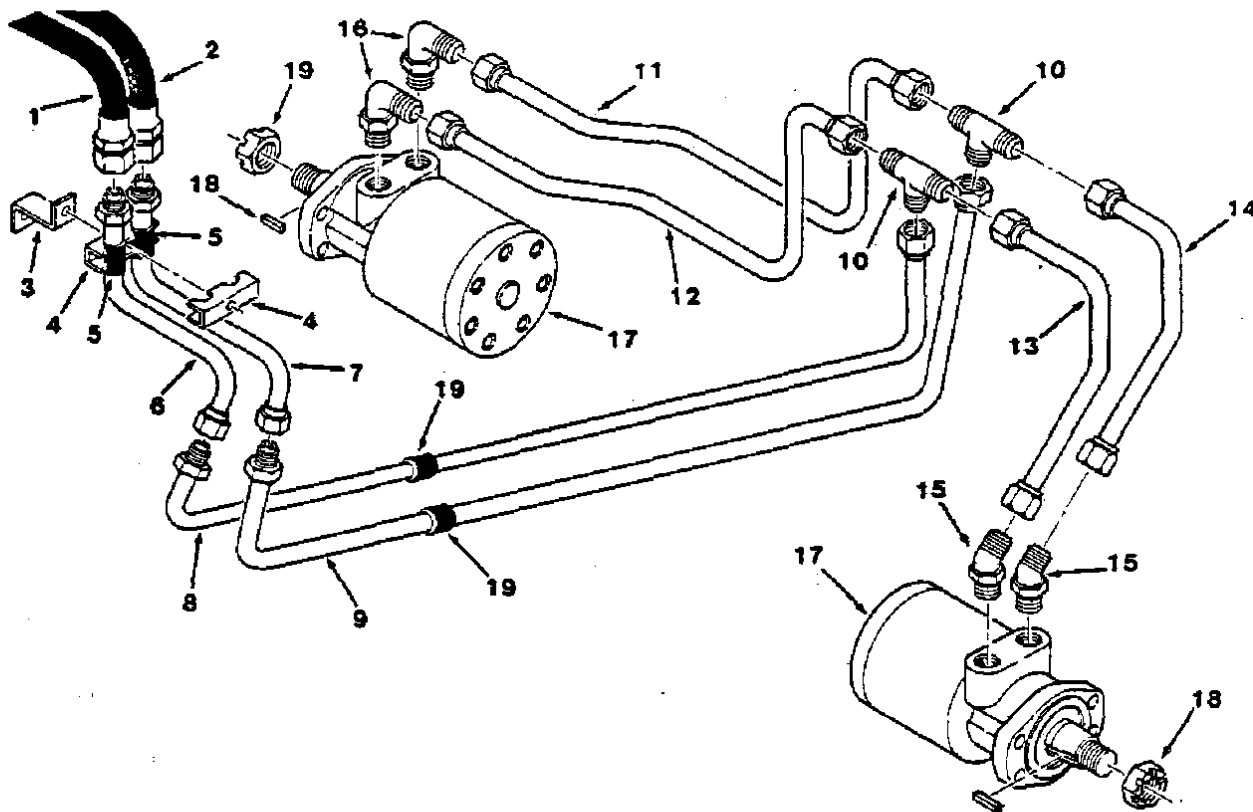


FIG. 23 - HYDRAULIC PROPELLING MOTORS GROUP

00513

KEY	TENNANT* PART NO.	MACHINE SERIAL NUMBER	DESCRIPTION	QTY.
1	69796	(0000000000-0000001187)	HOSE, Hydraulic	1
1	76681	(0000001188-)	HOSE, Hydraulic	1
2	69432	(-)	HOSE, Hydraulic	1
3	69441	(-)	BRACKET, Retaining clamp	1
4	56980	(-)	CLAMP, Retaining	1
5	69743	(-)	BUSHING, Split	2
6	64159	(-)	TUBE, Hydraulic	1
7	64158	(-)	TUBE, Hydraulic	1
8	64157	(-)	TUBE, Hydraulic	1
9	64160	(-)	TUBE, Hydraulic	1
10	52456	(-)	TEE	2
11	64162	(-)	TUBE, Hydraulic, right rear	1
12	64161	(-)	TUBE, Hydraulic, right front	1
13	64163	(-)	TUBE, Hydraulic, left front	1
14	64164	(-)	TUBE, Hydraulic, left rear	1
15	44936	(-)	ELBOW, 45°	2
16	51782	(-)	ELBOW	2
17	69650	(-)	MOTOR, Drive	2
	SK2509	(-)	SEAL KIT	1
18	63521	(-)	NUT, Slotted	1
19	69743	(-)	HOSE, Rubber	2

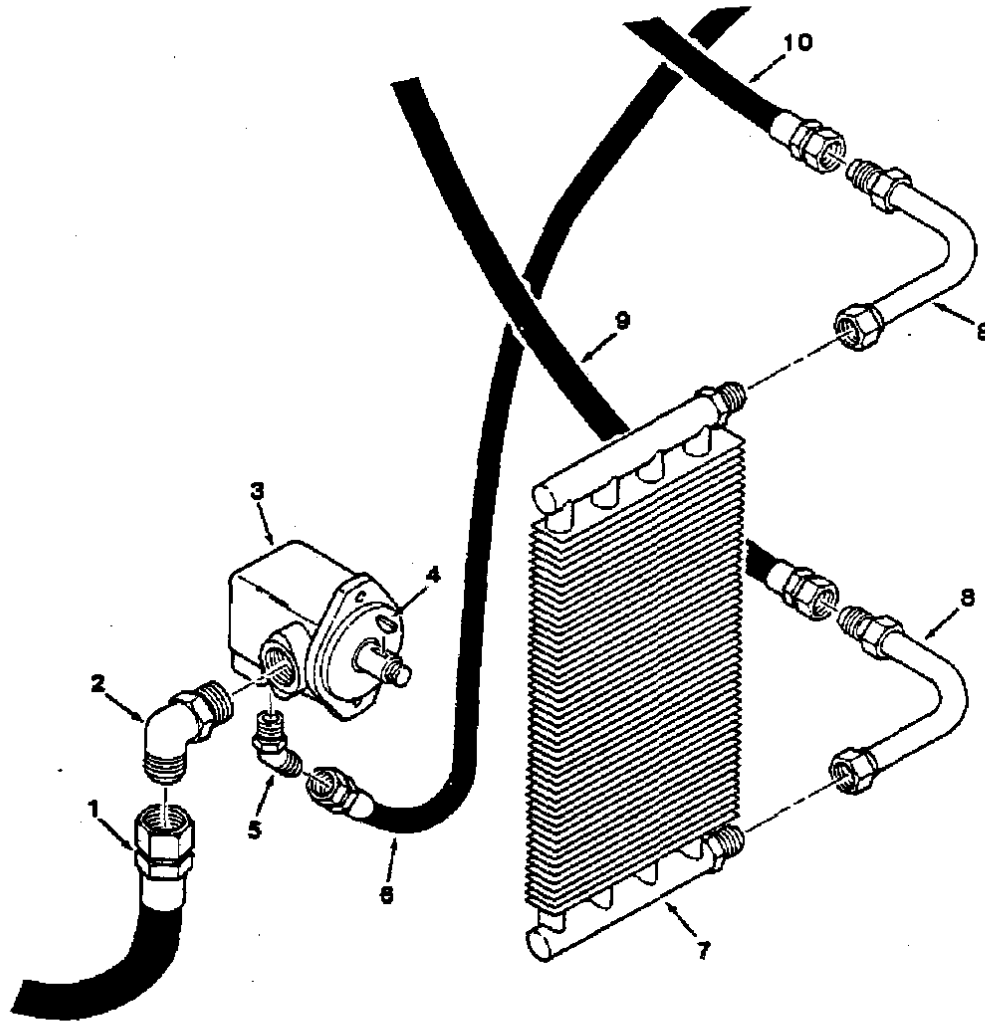


FIG. 24 - HYDRAULIC ACCESSORIES PUMP AND FLUID COOLER GROUP

00510

KEY	TENNANT® PART NO.	MACHINE SERIAL NUMBER	DESCRIPTION	QTY.
1	53164-2	(-)	HOSE, Hydraulic	1
2	53077	(-)	ELBOW	1
3	64053	(-)	PUMP, Hydraulic, accessories	1
	SK2508	(-)	SEAL KIT	1
	SK2507	(-)	CARTRIDGE KIT	1
4	00500-7	(-)	KEY, Woodruff	1
5	42226	(-)	ELBOW, 45°	1
6	69433	(-)	HOSE, Hydraulic	1
7	69480	(-)	COOLER, Fluid	1
8	69481	(-)	TUBE, Fluid cooler	2
9	69484	(-)	HOSE, Hydraulic	1
10	69485	(-)	HOSE, Hydraulic	1

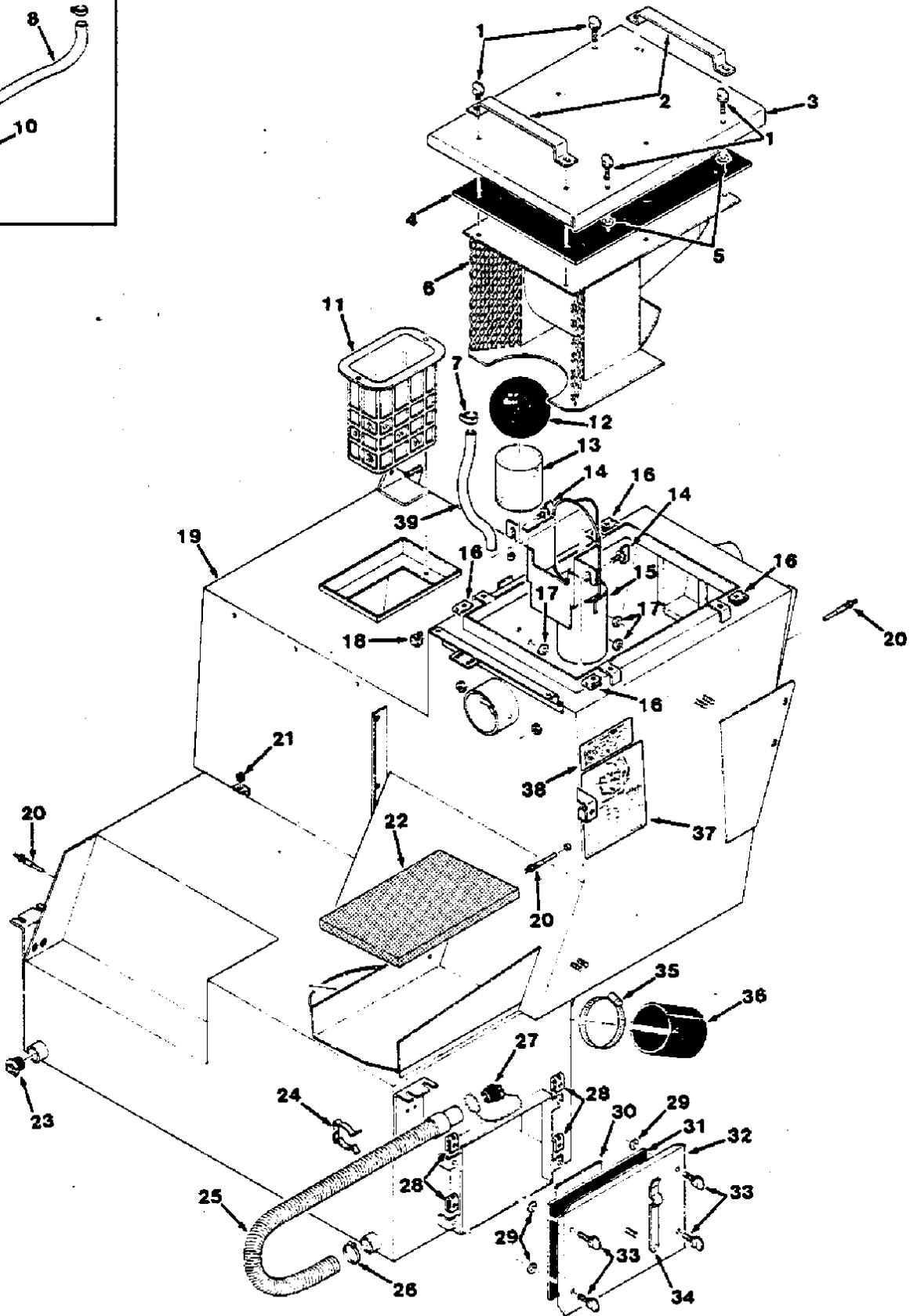
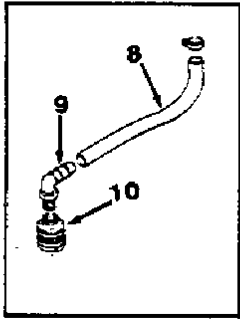


FIG. 25 - SOLUTION AND RECOVERY TANK GROUP

FIG. 25 - SOLUTION AND RECOVERY TANK GROUP

00492

KEY	TENNANT [®] PART NO.	MACHINE SERIAL NUMBER	DESCRIPTION	QTY.
1	43460	(-)	THUMBSCREW	4
2	64875	(-)	HANDLE	2
3	64526	(-)	DOOR, Recovery tank	1
4	64529	(-)	SEAL, Recovery tank door	1
5	26015	(-)	RETAINER, Thumbscrew	4
6	64523	(-)	DEFLECTOR	1
7	08777	(-)	CLAMP, Cable	1
8	45487-3	(0000000000-0000001832)	HOSE	1
9	63244-3	(0000000000-0000001832)	ELBOW	1
10	45185	(0000000000-0000001832)	BULKHEAD	1
11	43516A	(-)	BASKET, Soap	1
12	75106	(-)	FLOAT, Ball	1
13	69444	(-)	FLOAT	1
14	69649	(-)	NUT, Wing	2
15	69538	(-)	CAGE, Bailfloat	1
16	28165	(-)	NUT, Clip	4
17	40632	(-)	WASHER, Rubber, seal	4
18	76736	(-)	CLAMP, Cable	3
19	SK2708	(0000000000-0000001832)	TANK, Solution and recovery	1
19	18620	(0000001833-	TANK, Solution and recovery	1
20	76089-2	(-)	PROBE, Liquid level	3
21	51787	(-)	BUMPER, Rubber	1
22	69642	(-)	INSULATION, Tank	1
23	25460	(-)	PLUG, Expandable	1
24	22473	(-)	CLIP, Hose	1
25	69207	(-)	HOSE, Drain	1
26	11531	(-)	CLAMP, Wormdrive	1
27	56505	(-)	PLUG, Expandable	1
28	28165	(-)	NUT, Clip	4
	64866	(-)	DOOR ASSEMBLY, Tank cleanout	1
29	28015	(-)	RETAINER, Thumbscrew	4
30	75048	(-)	RETAINER, Seal	1
31	78802	(-)	SEAL, Tank cleanout door	1
32	64867	(-)	DOOR, Tank cleanout	1
33	43460	(-)	THUMBSCREW	4
34	69637	(-)	RETAINER, Drain hose	1
35	43555	(-)	CLAMP, Wormdrive	1
36	63509	(-)	STRIP, Rubber	1
37	69719	(-)	DECAL, Maintenance	1
38	41007	(-)	DECAL, Lubricating instructions	1
39	45487-6	(0000001833-	HOSE	1

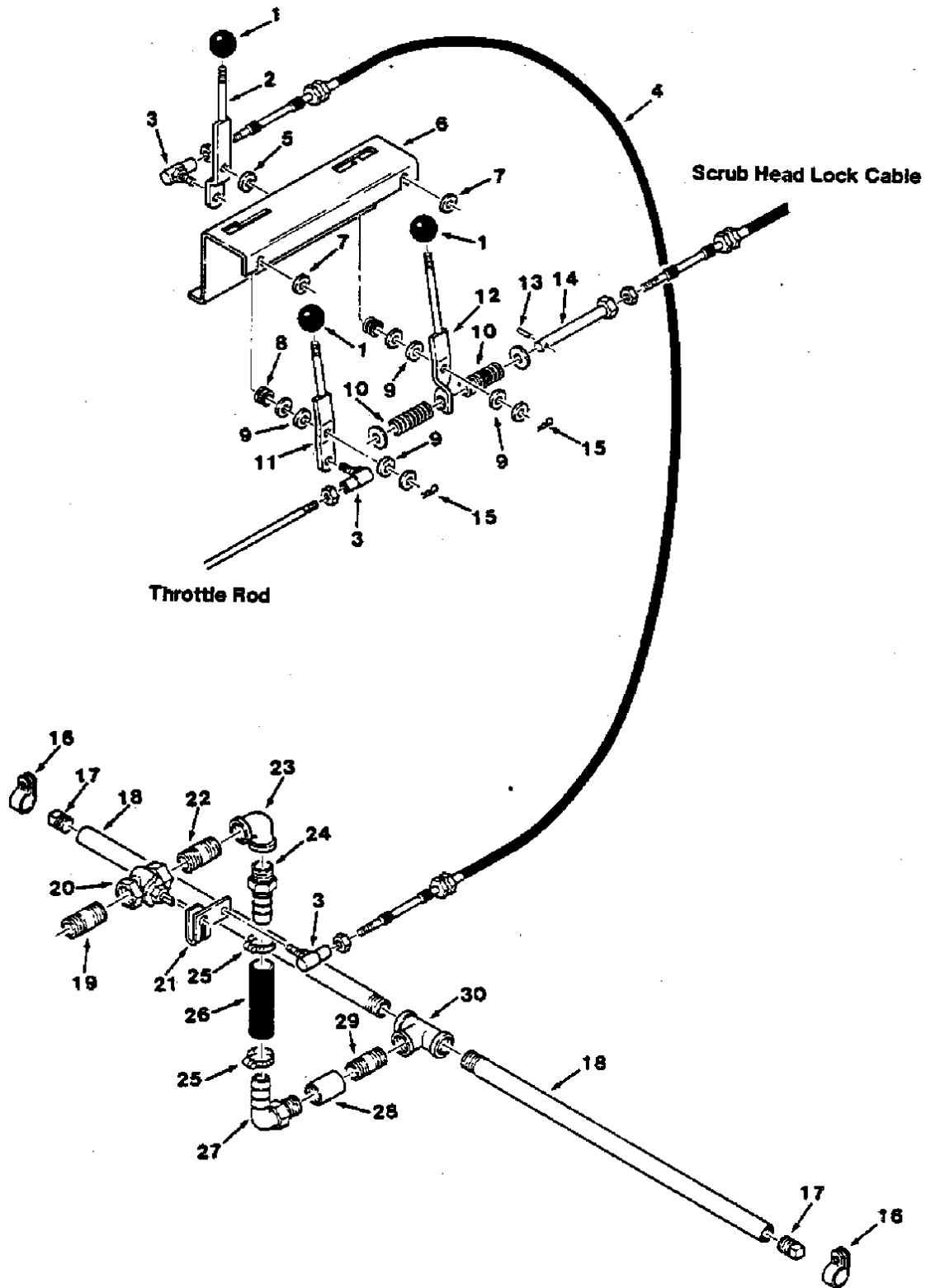


FIG. 26 - CONTROL HANDLES AND SOLUTION SUPPLY GROUP

FIG. 26 - CONTROL HANDLES AND SOLUTION SUPPLY GROUP

00470

KEY	TENNANT® PART NO.	MACHINE SERIAL NUMBER	DESCRIPTION	QTY.
1	26565	(-)	KNOB, Plastic	3
2	69647	(-)	HANDLE, Water switch	1
3	14601	(-)	BALL JOINT	3
4	69494-1	(-)	CABLE, Push-pull	1
5	07026	(-)	SLEEVE	1
6	69501	(-)	BRACKET, Control	1
7	40632	(-)	WASHER, Seal	2
8	69495	(-)	SPRING	2
9	43611	(-)	WASHER, Nylon	4
10	22290	(-)	SPRING	2
11	64935	(-)	HANDLE, Throttle	1
12	64936	(-)	HANDLE, Scrub head lock	1
13	23999-6	(-)	PIN, Roll	1
14	69497	(-)	ROD	1
15	44906	(-)	PIN, Hair, cotter	2
16	56094	(-)	CLAMP, Cable	2
17	56119	(-)	PLUG, Tube	2
18	64747	(-)	TUBE, Spreader	2
19	11442-7	(0000000000-0000001832)	NIPPLE	1
19	07483	(0000001833-	NIPPLE	1
20	76083	(-)	VALVE, Water	1
21	64785	(-)	ARM, Valve	1
22	02266	(-)	NIPPLE	1
23	23563	(-)	ELBOW	1
24	79273-2	(-)	CONNECTOR	1
25	11399	(-)	CLAMP, Wormdrive	2
26	69215	(-)	HOSE	1
27	40145	(-)	ELBOW	1
28	10222	(-)	COUPLING	1
29	10219	(-)	NIPPLE	1
30	64739	(-)	TEE	1

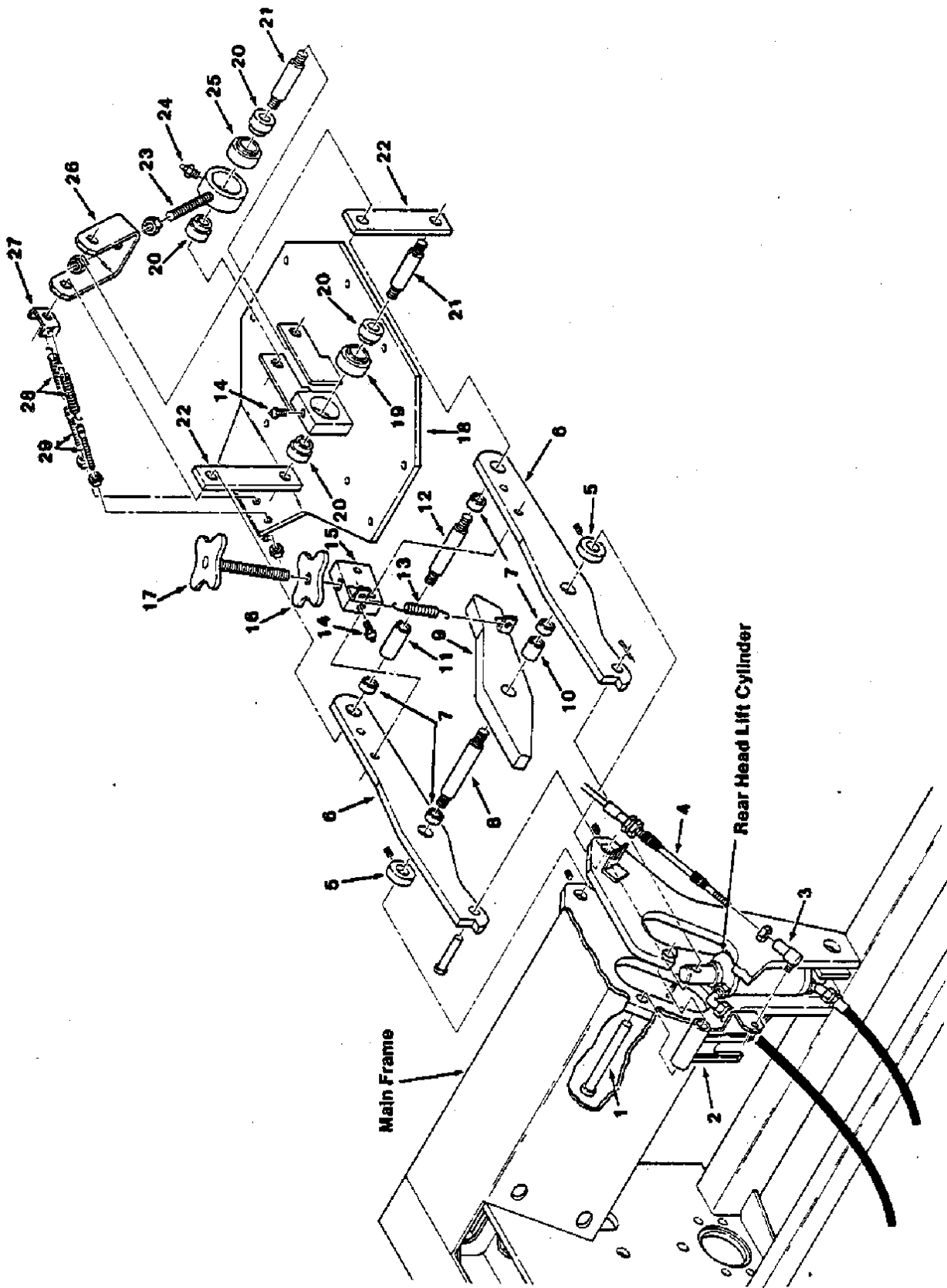


FIG. 27 - HEAD LOCK GROUP

FIG. 27 - HEAD LOCK GROUP

00478

KEY	TENNANT® PART NO.	MACHINE SERIAL NUMBER	DESCRIPTION	QTY.
1	69429	(-)	PIN, Clevis	1
2	64022	(-)	LOCK, Head	1
3	14601	(-)	BALL JOINT	1
4	69494	(-)	CABLE, Push-pull	1
5	69228	(-)	SPACER, Head pivot	2
6	64376-1	(-)	ARM ASSEMBLY, Lift	2
7	64377	(-)	BEARING	2
8	69227	(-)	SHAFT, Head pivot	1
9	64393-2	(-)	STOP, Head down	1
10	64379	(-)	BEARING	1
11	64727	(-)	SLEEVE, Head linkage	1
12	69780	(-)	SHAFT, Arm, rear	1
13	75575	(-)	SPRING, Tension	1
14	06418	(-)	FITTING, Grease	2
15	64451-1	(-)	BLOCK, Adjuster	1
16	64453-1	(-)	KNOB, Lock	1
17	64454	(-)	KNOB, Adjusting	1
18	64389-1	(-)	BRACKET, Mounting head	1
19	42120-4	(-)	BEARING	1
20	64432	(-)	SLEEVE, Mounting head	4
21	69779	(-)	SHAFT, Mounting head	2
22	64428	(-)	LINK, Connecting	2
23	64784	(-)	ROD ASSEMBLY	1
24	06418	(-)	FITTING, Grease	1
25	42120-4	(-)	BEARING	1
26	64780	(-)	BRACKET, U	1
27	64729	(-)	BRACKET, Spring	1
28	11842	(-)	SPRING, Tension	2
29	28367	(-)	BOLT, Eye	2

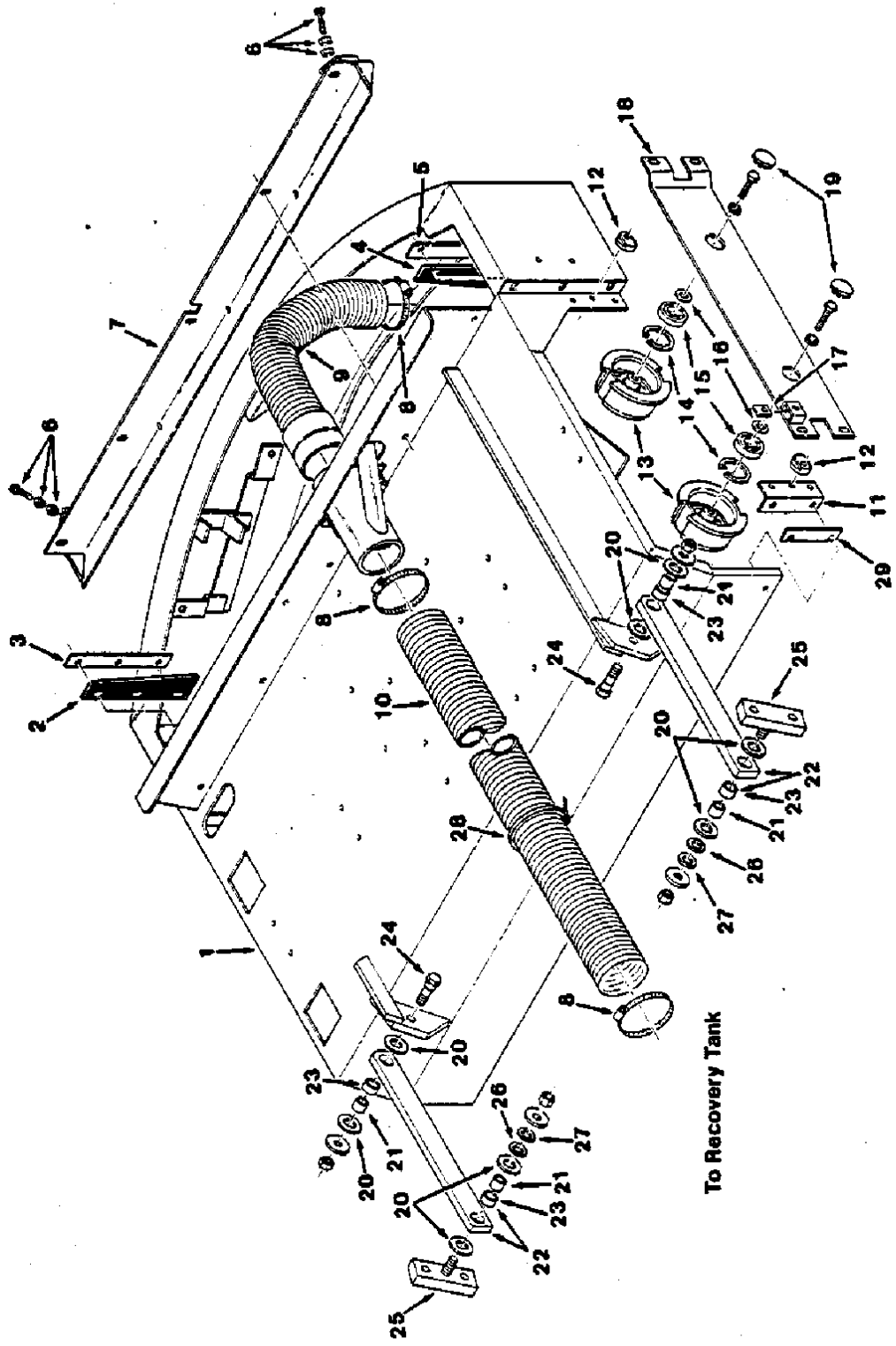


FIG. 26 - SCRUB HEAD FRAME GROUP

To Recovery Tank

FIG. 28 - SCRUB HEAD FRAME GROUP

00457

KEY	TENNANT® PART NO.	MACHINE SERIAL NUMBER	DESCRIPTION	QTY.
1	64430	(-)	FRAME, Scrubber head	1
2	56678	(-)	SKIRT, R.H.	1
3	56232	(-)	STRIP, R.H.	1
4	56395	(-)	SKIRT, L.H.	1
5	56861	(-)	STRIP, L.H.	1
6	75128	(-)	SPINDLE, Adjustment	2
7	64868	(-)	DEFLECTOR, Water	1
8	43555	(-)	CLAMP, Wormdrive	3
9	64320	(-)	HOSE AND CUFF ASSEMBLY	1
10	64317	(-)	HOSE, Vinylflex	1
11	64486-1	(-)	ANGLE, Idler support	1
12	64487	(-)	CAM, Brush adjustment	2
	64609	(-)	SUPPORT ASSEMBLY, Idler	1
13	07037	(-)	PLUG, Brush	2
14	10464	(-)	RING, Retaining	2
15	46390	(-)	BEARING, Ball	2
16	07026	(-)	SPACER	2
17	28165	(-)	FASTENER	1
18	64483	(-)	SUPPORT, Idler	1
19	47178-13	(-)	PLUG BUTTON	2
20	76979	(-)	BEARING, Thrust	8
21	64680	(-)	SLEEVE	4
22	64679-1	(-)	ARM ASSEMBLY, Head	2
23	64377	(-)	BEARING	2
24	69514	(-)	BOLT, Taper	2
25	64104	(-)	PLATE, Mounting	2
26	40847	(-)	SHIM, 0.003" (0.08 mm)	2
27	40847-1	(-)	SHIM, 0.005" (0.13 mm)	2
28	44961	(-)	TIE, Cable	1
29	56245	(-)	SHIM, Idler support	2

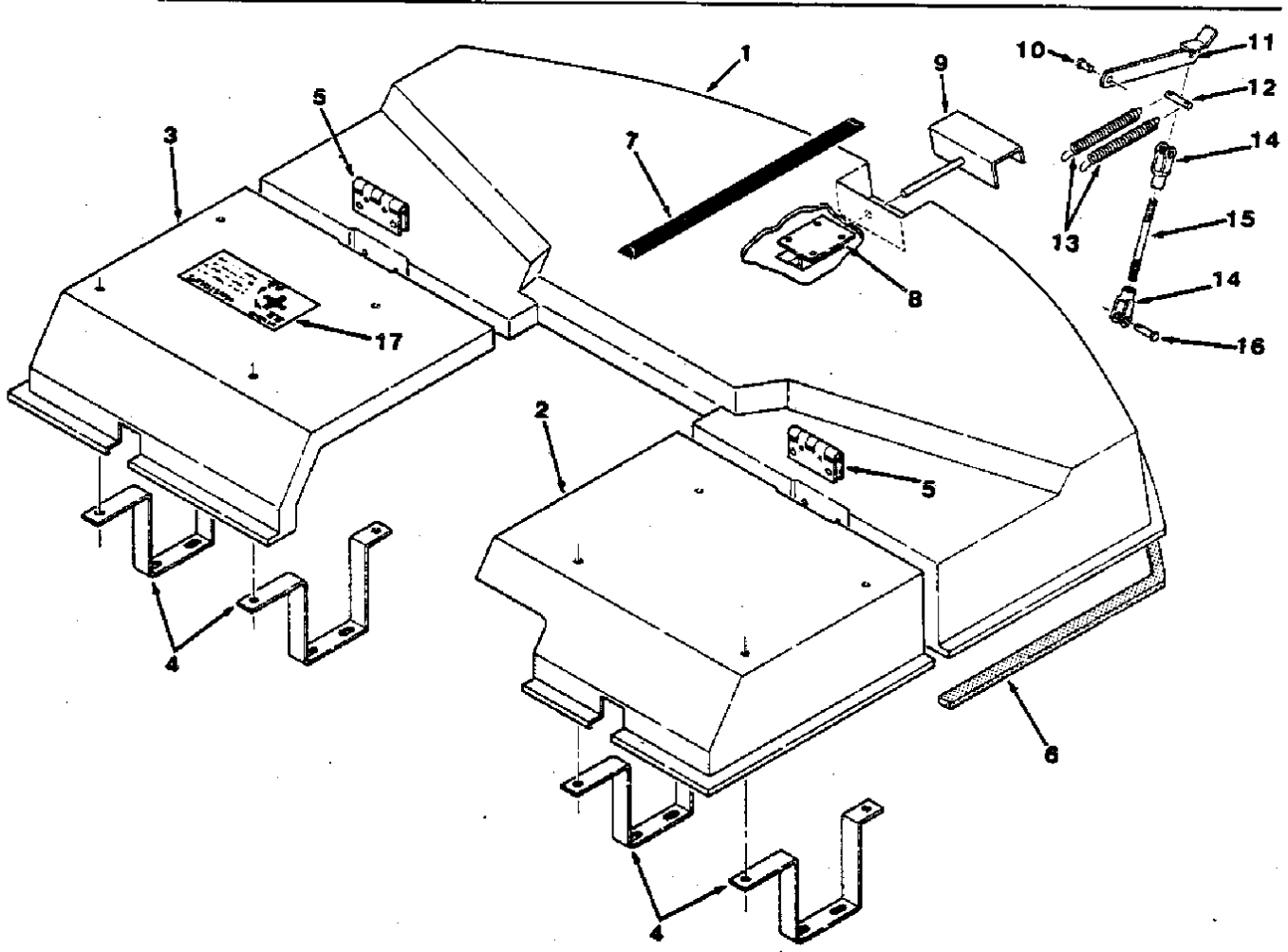


FIG. 29 - SCRUBBER HEAD COVER GROUP

00455

KEY	TENNANT® PART NO.	MACHINE SERIAL NUMBER	DESCRIPTION	QTY.
1	64784-1	(-)	COVER, Rear, scrubber head	1
2	16384	(-)	COVER, Scrubber head, L.H.	1
3	16385	(-)	COVER, Scrubber head, R.H.	1
4	64147-1	(-)	BRACKET, Cover mount	4
5	56815	(-)	HINGE, Cover, scrubber head	2
6	69414	(-)	SEAL, Foam rubber, 76" (1,930 mm)	1
7	69624	(-)	STRIP, Rubber, bumper	1
8	69575	(-)	LATCH, Rear cover	1
9	69572	(-)	HANDLE, Rear cover	1
10	69581	(-)	PIN, Clevis, 0.75" (19 mm)	1
11	69583	(-)	LINK, Latch	1
12	69586	(-)	PIN, Spring	1
13	69607	(-)	SPRING, Link	2
14	69222	(-)	CLEVIS, Adjustable	2
15	69579	(-)	STUD, Clevis	1
16	69582	(-)	PIN, Clevis, 1" (25 mm)	1
17	69711	(-)	DECAL, Adjustments, brush pressure	1
	47037	(-)	ADHESIVE, Tube, 5 oz. (150 cc)	1

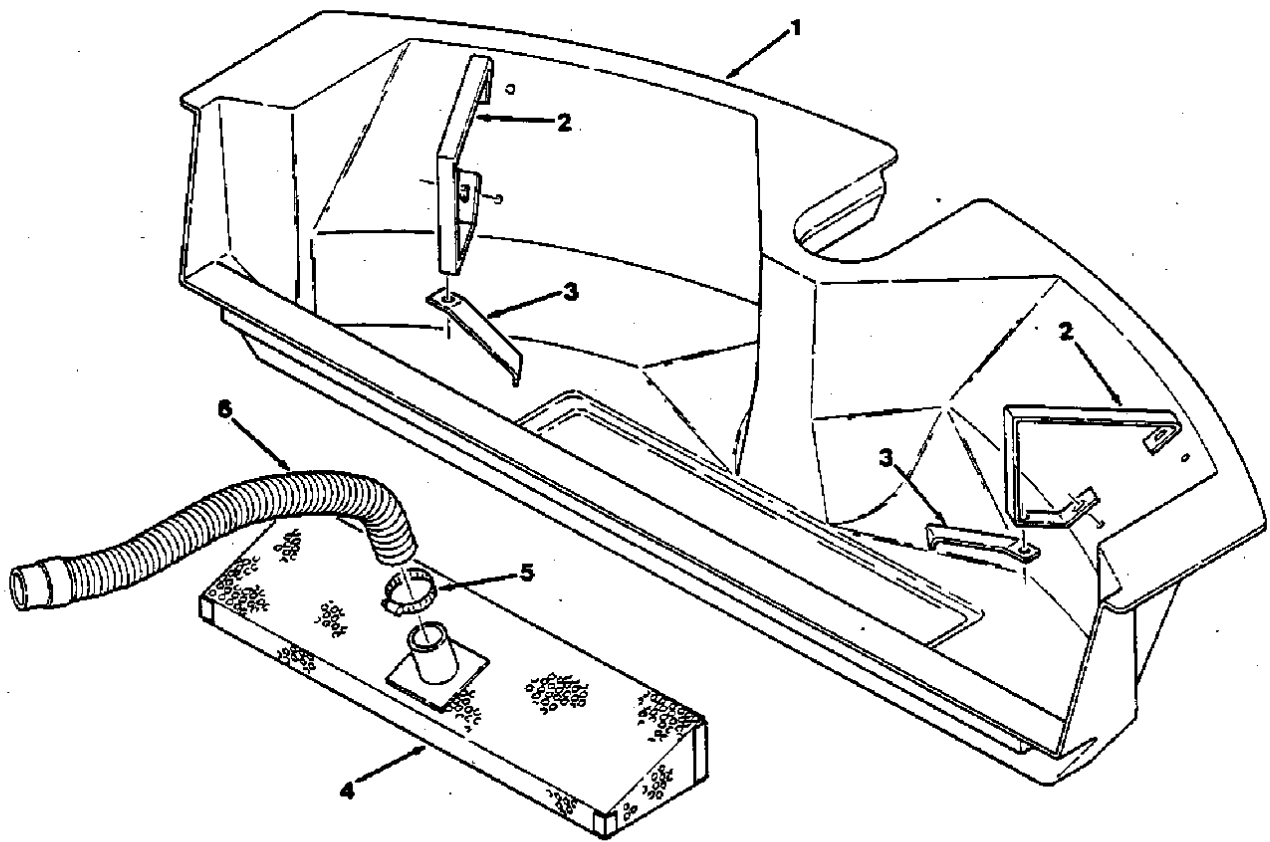


FIG. 30 - PICK-UP TROUGH ASSEMBLY

00455

KEY	TENNANT® PART NO.	MACHINE SERIAL NUMBER	DESCRIPTION	QTY.
	64610	(-)	TROUGH ASSEMBLY, Pick-up	1
1	64793	(-)	TROUGH, Pick-up	1
2	64073	(-)	HANDLE, Trough	2
3	59393	(-)	BRACKET, Screen hold down	2
4	59390	(-)	SCREEN, Trough	1
5	11531	(-)	CLAMP, Wormdrive	1
6	64768	(-)	HOSE AND CUFF ASSEMBLY	1

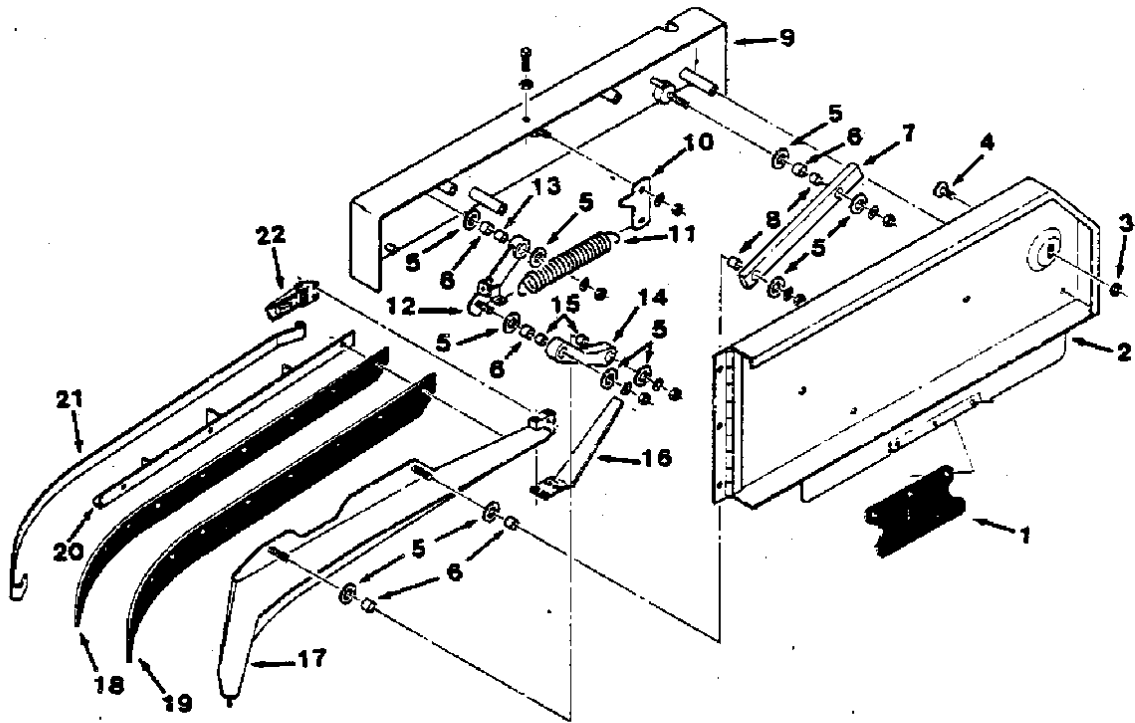


FIG. 31 - BRUSH DOOR AND LEFT SIDE SQUEEGEE ASSEMBLY

00489

KEY	TENNANT® PART NO.	MACHINE SERIAL NUMBER	DESCRIPTION	QTY.
	84599	(-)	DOOR ASSEMBLY, Brush	1
1	59617	(-)	FLAP, Containment	1
2	84481	(-)	DOOR, Brush	1
3	26015	(-)	WASHER, Retaining	1
4	69268	(-)	FASTENER, Door	1
	69726	(-)	SQUEEGEE & GUARD ASSEMBLY, L.H.	1
5	59633	(-)	BEARING, Thrust	10
6	59632	(-)	SLEEVE	5
7	59626-1	(-)	LINK ASSEMBLY	1
8	59634	(-)	BEARING	2
9	59624	(-)	GUARD, Squeegee, L.H.	1
10	59650	(-)	ADJUSTER, Spring	1
11	52238	(-)	SPRING	1
12	59673-1	(-)	ARM ASSEMBLY	1
13	59634	(-)	BEARING	1
14	59630-1	(-)	ARM ASSEMBLY	1
15	59634	(-)	BEARING	2
	69726	(-)	SQUEEGEE ASSEMBLY	1
16	69730	(-)	GUIDE, Squeegee tip	1
17	69724	(-)	FRAME, Squeegee	1
18	59610A	(-)	STRIP, Back-up	1
19	59609A	(-)	BLADE, Squeegee	1
20	59612A	(-)	BRIDGE	1
21	59663A	(-)	BAND	1
22	59618	(-)	LATCH	1

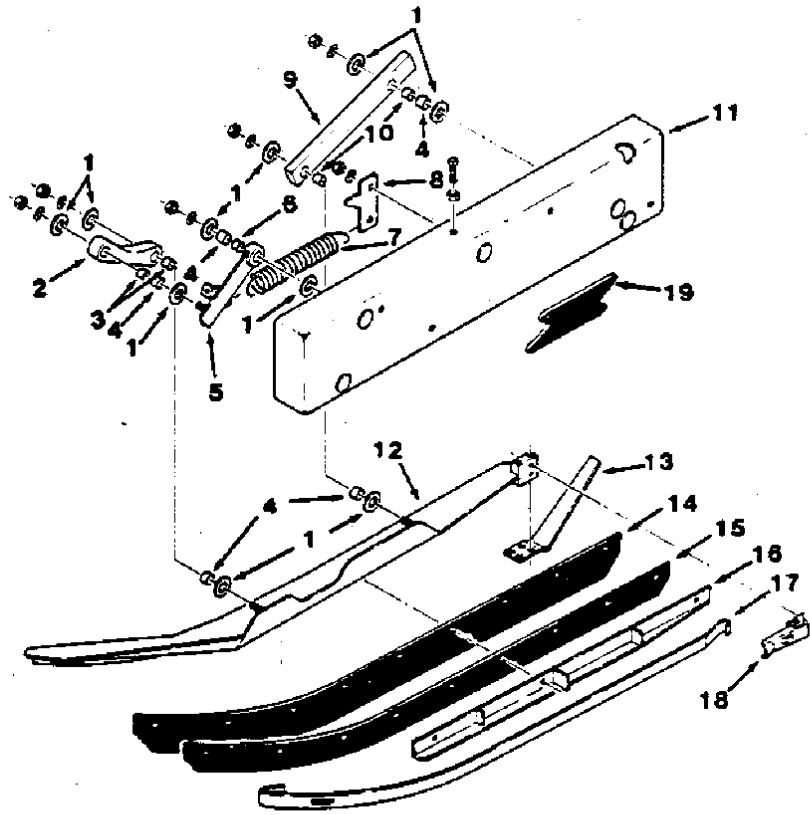


FIG. 32 - RIGHT SIDE SQUEEGEE ASSEMBLY

00488

KEY	TENNANT® PART NO.	MACHINE SERIAL NUMBER	DESCRIPTION	QTY.
	69729	(-)	SQUEEGEE & GUARD ASSEMBLY, R.H.	1
1	59633	(-)	BEARING, Thrust	10
2	59630-1	(-)	ARM ASSEMBLY	1
3	59634	(-)	BEARING	2
4	59632	(-)	SLEEVE	5
5	59673-1	(-)	ARM ASSEMBLY	1
6	59634	(-)	BEARING	1
7	52238	(-)	SPRING	1
8	59650	(-)	ADJUSTER, Spring	1
9	59626-1	(-)	LINK ASSEMBLY	1
10	59634	(-)	BEARING	2
11	59625	(-)	GUARD, Squeegee	1
	69727	(-)	SQUEEGEE ASSEMBLY, R.H.	1
12	69725	(-)	SQUEEGEE, Frame, R.H.	1
13	69730	(-)	GUIDE, Spring	1
14	59609A	(-)	BLADE, Squeegee	1
15	59610A	(-)	STRIP, Back-up	1
16	59613A	(-)	BRIDGE, Right Hand	1
17	59663A	(-)	BAND	1
18	59618	(-)	LATCH	1
19	59617	(-)	FLAP, Containment	1

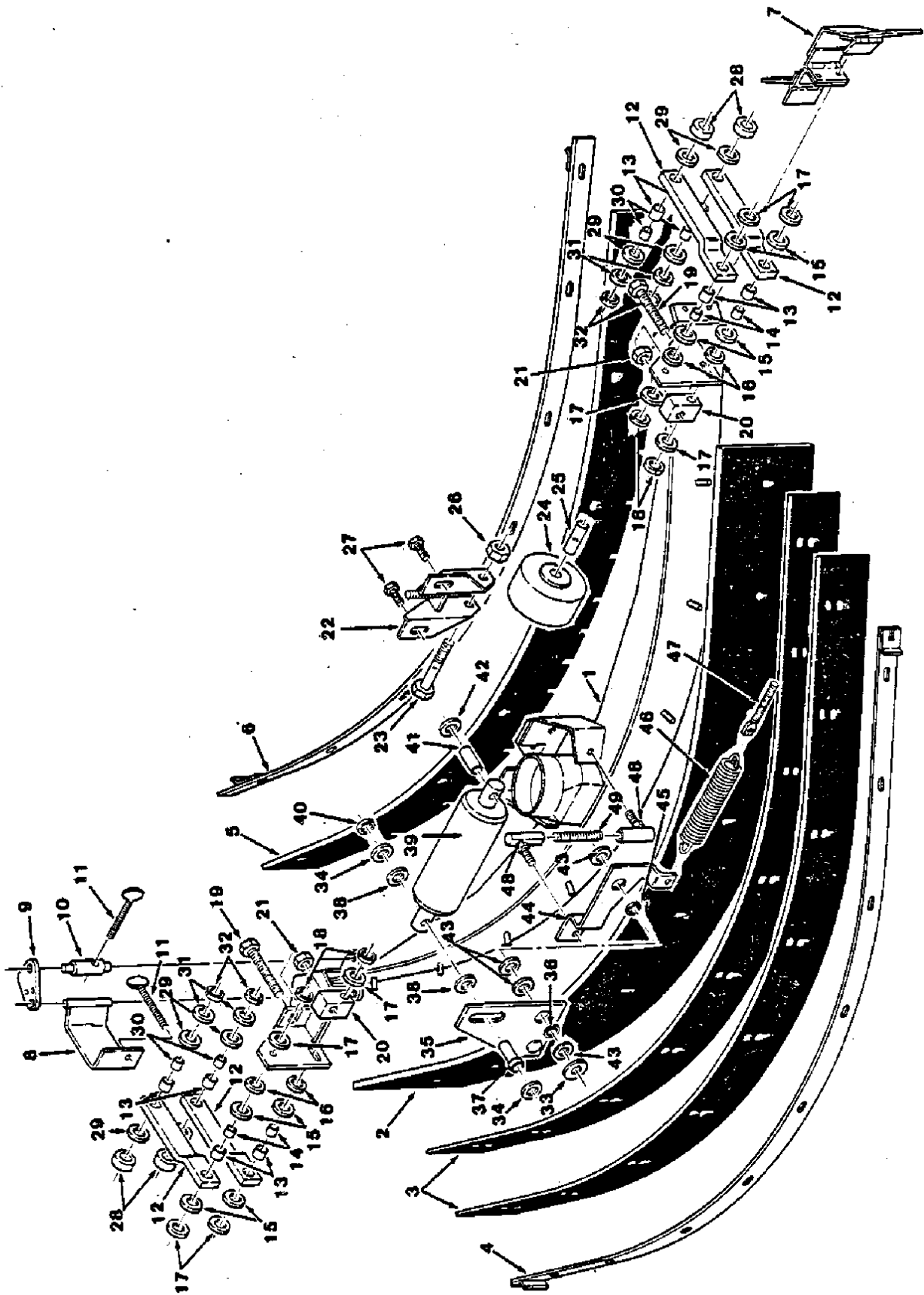




FIG. 33 - REAR SQUEEGEE ASSEMBLY

FIG. 33 - REAR SQUEEGEE ASSEMBLY

00366

KEY	TENNANT® PART NO.	MACHINE SERIAL NUMBER	DESCRIPTION	QTY.
	64348	(-)	SQUEEGEE ASSEMBLY	1
1	64219	(-)	FRAME, Rear squeegee	1
2	59776	(-)	BLADE, Rear squeegee	1
3	59775	(-)	STRIP, Rear backup	2
4	59800	(-)	BAND, Rear squeegee	1
5	64818	(-)	BLADE, Front squeegee	1
6	59826	(-)	BAND, Front squeegee	1
7	64382	(-)	CLAMP, Squeegee band	1
8	76921	(-)	ADJUSTER, Rear	1
9	76922-1	(0000000000-0000001259)	PLATE, Pivot	1
9	69262	(0000001260-	PLATE, Pivot	1
10	76927	(-)	PIVOT, Adjuster	1
11	39362	(-)	SCREW, Thumb	2
12	64361-1	(-)	ARM ASSEMBLY	4
13	64173	(-)	BEARING	2
14	64192	(-)	SLEEVE, Bearing	4
15	59633	(-)	BEARING, Thrust	8
16	69461	(-)	WASHER	4
17	32491	(-)	WASHER, Flat	8
18	G120382	(-)	WASHER, Lock	4
19	45214	(-)	ROD, Adjusting	2
20	69459	(-)	BLOCK, Pivot	2
21	59156	(-)	NUT, Nyloc	2
22	64357	(-)	BRACKET, Caster	1
23	76943	(-)	STUD, Caster	1
24	76942	(-)	CASTER	1
25	75050	(-)	BUSHING, Caster	1
26	-	(-)	NUT	1
27	69225	(-)	SCREW, Hex	2
28	69462	(-)	SPACER	4
29	59633	(-)	BEARING, Thrust	8
30	64192	(-)	SLEEVE, Bearing	4
31	32491	(-)	WASHER, Flat	4
32	32492	(-)	WASHER, Lock	4
	69742	(0000000000-0000001423)	WASHER	1
	64581	(0000000000-0000001423)	SLEEVE, Bearing	1
33	30013	(0000001424-	WASHER	1
34	64153	(-)	WASHER	2
	64123-2	(-)	LINK ASSEMBLY	1
35	64123-1	(-)	LINK	1
36	64424	(-)	BUSHING	1
37	64152	(-)	BUSHING	1
38	64154	(-)	WASHER	2
39	56107	(-)	CYLINDER, Rear squeegee lift	1
40	G120382	(-)	WASHER, Lock	1
41	64127	(-)	SLEEVE, Bearing	1
42	32492	(-)	WASHER, Flat	1
43	64425	(-)	WASHER	4
44	64422-1	(-)	BRACKET ASSEMBLY	1
45	64424	(-)	BUSHING	1
46	47745	(-)	SPRING	1
47	26367	(-)	EYE BOLT	1
48	14506	(-)	BALL JOINT	2
49	64598	(-)	STUD	1

Home Find... Go To..  

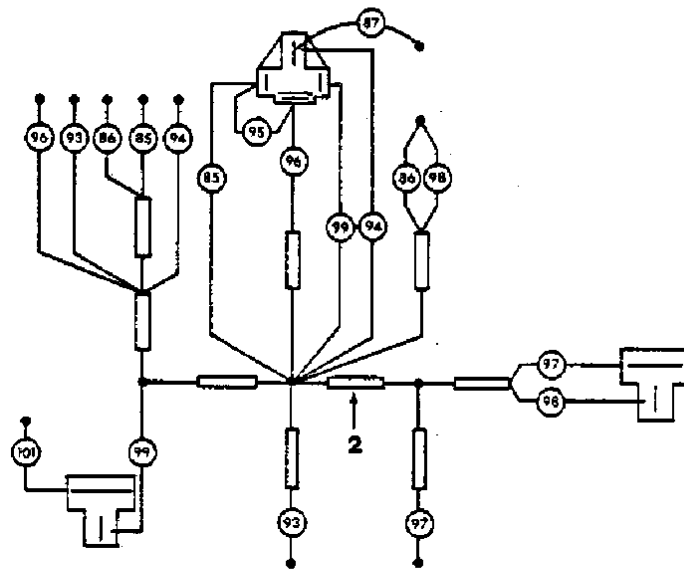
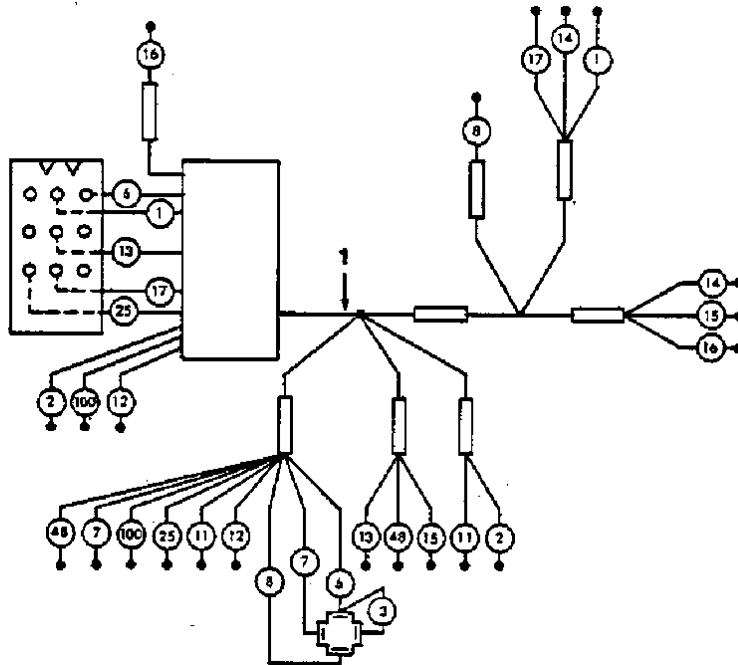


FIG. 34 - WIRE HARNESSES, STANDARD

00503

KEY	TENNANT® PART NO.	MACHINE SERIAL NUMBER	DESCRIPTION	QTY.
1	64854	(-)	WIRE HARNESS, Engine	1
2	64860	(-)	WIRE HARNESS, Squeegee lift	1

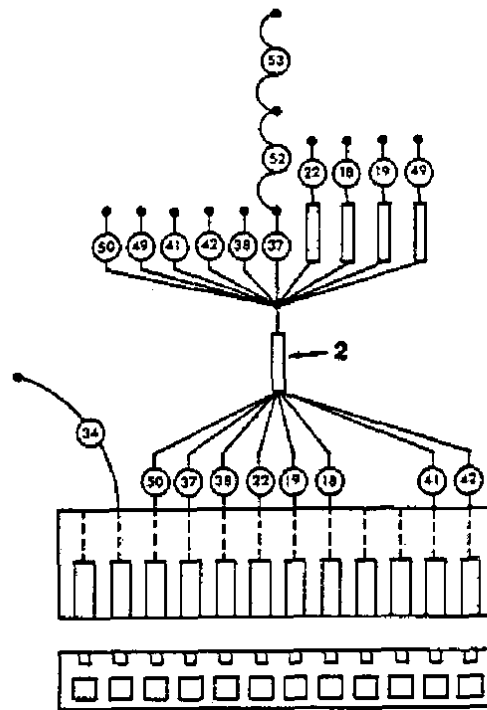
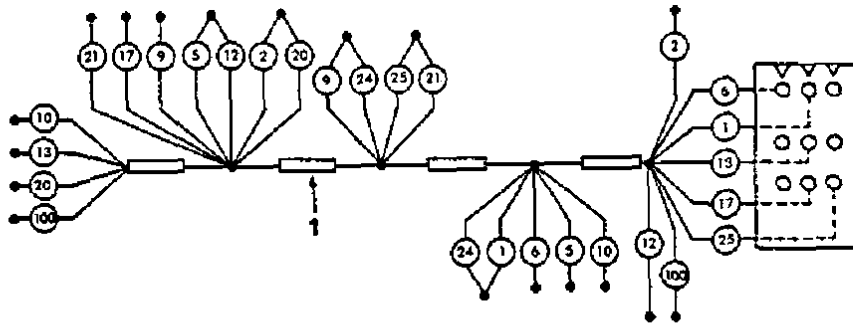


FIG. 35 - WIRE HARNESSSES, STANDARD

00502

KEY	TENNANT® PART NO.	MACHINE SERIAL NUMBER	DESCRIPTION	QTY.
1	64850	(-)	WIRE HARNESS, Instrument panel	1
2	64858	(-)	WIRE HARNESS, Level sensing	1
	69669	(-)	WRAP, Wire harness	2



SECTION 8 LPG PARTS

CONTENTS

	Page
Ordering Repair Parts.....	8-1
Fig. 1 - Engine and Fuel System Group, LPG.....	8-2
Fig. 2 - Air Cleaner Group, LPG.....	8-4

NOTE: Section 8, LPG Parts, lists repair parts unique to an LPG powered machine.

Home

Find...

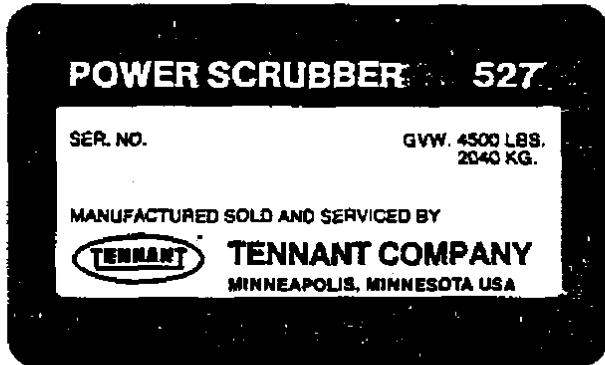
Go To..



ORDERING REPAIR PARTS

To avoid errors or delays in filling parts orders, please furnish all of the following information.

1. Always specify the machine model number and the machine serial number shown on the machine data plate.



2. Give the part number, description, and the quantity needed of each item on the order. Do not order by reference number or the figure number of the illustrated parts.
3. Indented items indicate parts of assemblies. Standard hardware is furnished only when part of a purchased assembly. Please order hardware from a local hardware supplier.
4. If the old part cannot be identified, send it to us with the quantity needed specified on the order.
5. State definite shipping instructions to include the shipping address and/or the billing address if there is a difference. Any claim for loss or damage to a shipment in transit should be filed promptly against the transportation company making the delivery. Shipments will be complete unless the packing list or order acknowledgment indicate items back ordered.

If parts received are suspected to be incorrect or defective, please write, wire, or phone the Tennant Company representative from whom you ordered the part. They will give authorization for return and/or handle replacement shipments when required.

SI (INTERNATIONAL SYSTEM) UNITS OF MEASURE

Metric equivalents have been included, where applicable, throughout this parts catalog.

BOLT AND CAP SCREW STRENGTH IDENTIFICATION

Bolts and cap screws required to have high-strength qualities equivalent to SAE Grade 8 are identified throughout this catalog by the description GR 8. Unless identified by this description, all standard bolts and cap screws are SAE Grade 5.

SERIAL NUMBER INFORMATION EXPLANATION

Serial number information is listed parenthetically to show on which machines each part can be used. These listings are explained by the following examples:

() The part can be used on all machines.

(0000001234-) The part can be used on all machines beginning with the serial number listed.

(0000000000-0000001234) The part can be used on all machines up to and including serial number listed.

(0000001234-0000005678) The part can be used on all machines between and including the serial numbers listed.

Where XXXXX's are listed in place of a serial number, it indicates a serial number change was made but the exact serial number had not been established when the catalog went to press.

(Specifications and design subject to change without notice.)



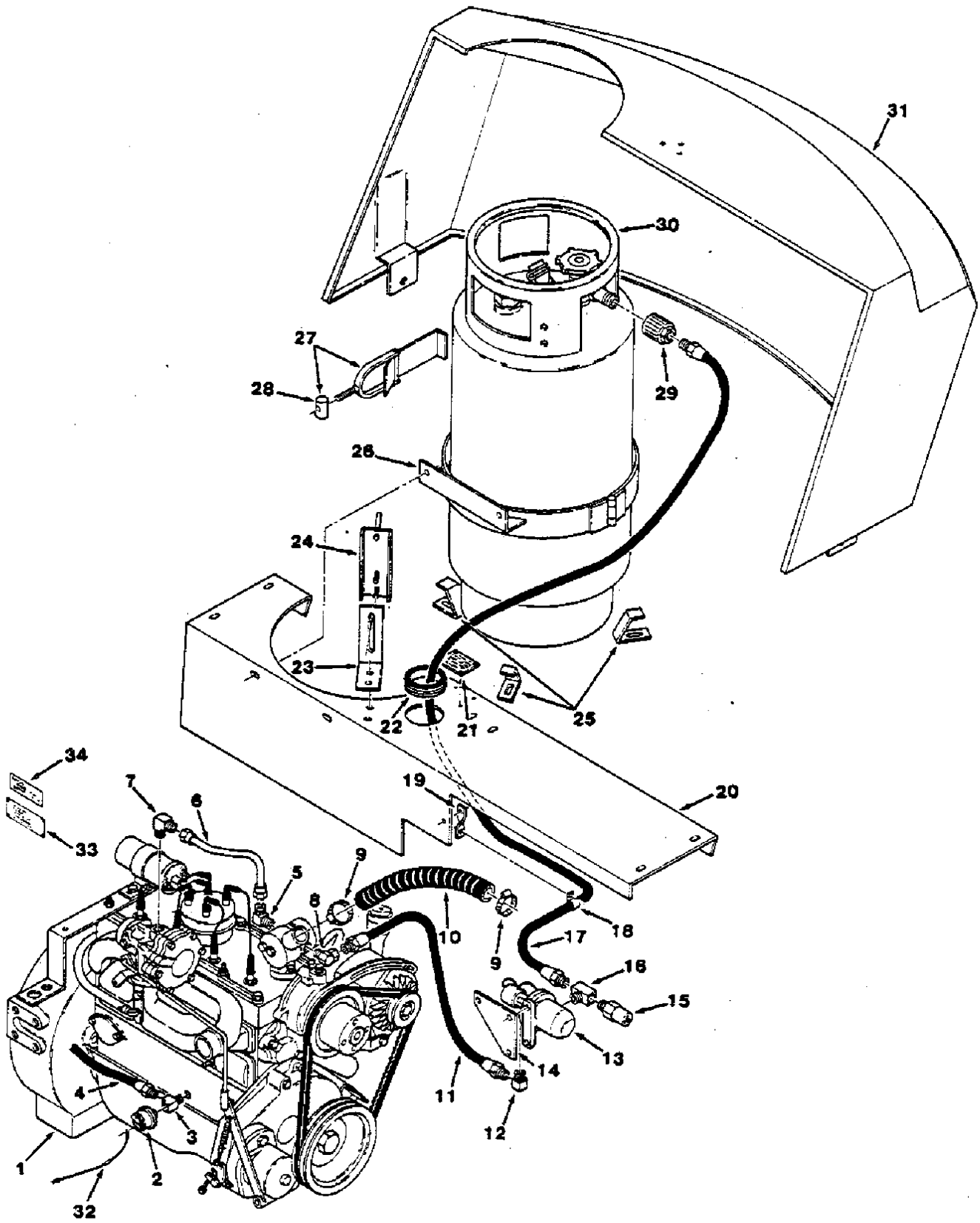




FIG. 1 - ENGINE AND FUEL SYSTEM GROUP, LPG

FIG. 1 - ENGINE AND FUEL SYSTEM GROUP, LPG

00460

KEY	TENNANT® PART NO.	MACHINE SERIAL NUMBER	DESCRIPTION	QTY.
1	64566	(-)	ENGINE, LPG	1
2	51805	(-)	SWITCH, Oil pressure	1
3	26426	(-)	TEE	1
4	11981	(-)	HOSE, Hydraulic	1
5	54240	(-)	ELBOW	1
6	69745	(-)	FUEL LINE	1
7	54241	(-)	ELBOW	1
8	11442-1	(-)	ELBOW	1
9	22297	(-)	CLAMP, Wormdrive	2
10	69744	(-)	HOSE, Radiator	1
11	10754	(-)	HOSE, LPG	1
12	27048	(-)	ELBOW	1
13	SK2678	(0000000000-0000001788)	FUEL FILTER LOCK	1
13	33555	(0000001789-	FUEL FILTER LOCK	1
	SK1444	(-)	REPAIR KIT	1
14	64966	(-)	PLATE, Fuellock	1
15	24047	(-)	VALVE, Pressure relief	1
16	53268	(-)	TEE	1
17	62865	(-)	HOSE, LPG	1
18	26395-1	(-)	CLAMP, Cable	4
19	69465	(-)	STRIP, Clamp	1
20	64600	(-)	DECK, Rear, LPG	1
21	24049	(-)	PLATE, Data, LPG	1
22	10632-19	(-)	GROMMET, Rubber	1
23	64044	(-)	BRACKET, L	1
24	64050	(-)	BRACKET, Locating pin	1
25	64130	(-)	ANGLE, Retaining	3
26	64585	(-)	BRACKET, Tank mount, LPG	1
27	53400-1	(-)	LATCH	1
28	53400-4	(-)	LUG	1
29	26496	(-)	COUPLING, LPG	1
30	24928	(-)	TANK, LPG, 33 lb (15 kg)	1
	24928-1	(-)	TANK, LPG, 33 lb (15 kg), w/filler gauge	1
31	64630	(-)	SHROUD, Rear, LPG	1
32	69562	(-)	DIODE ASSEMBLY	1
33	10735	(-)	PLATE, U.L., LPG	1
34	45580	(-)	DECAL, Factory mutual, LPG	1

Home	Find...	Go To..		
------	---------	---------	--	---

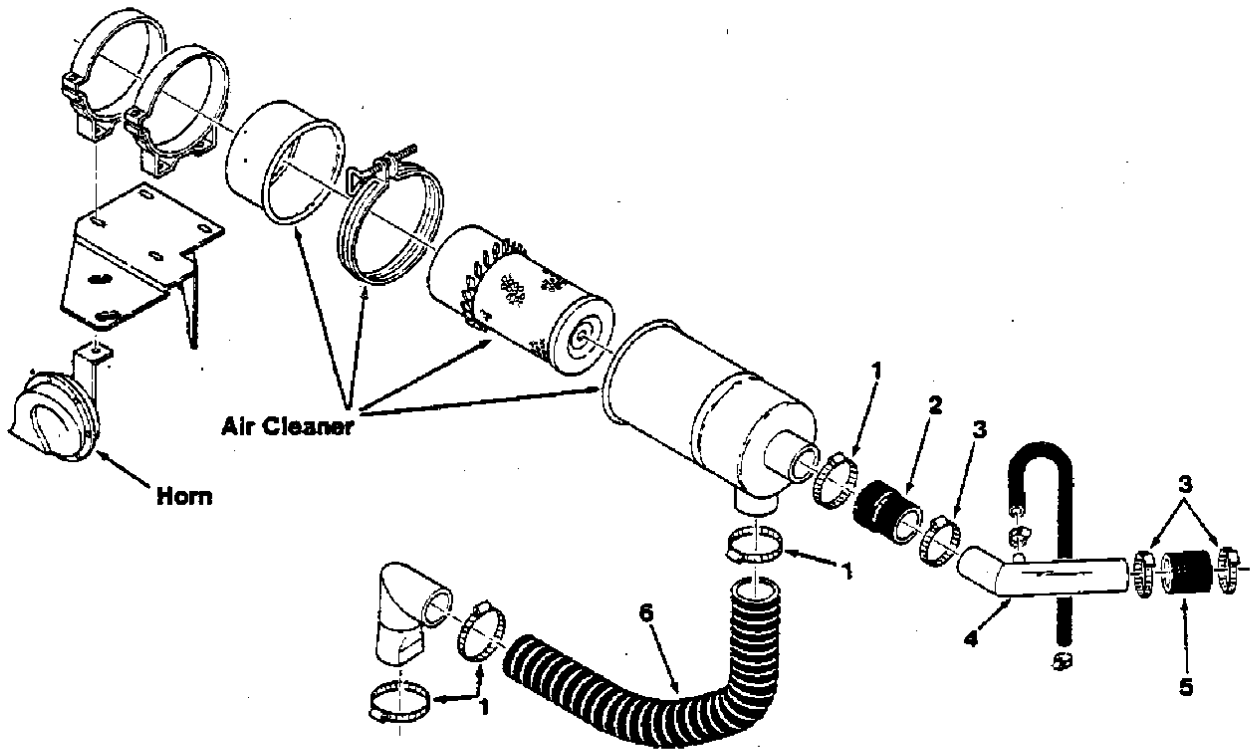


FIG. 2 - AIR CLEANER GROUP, LPG

00448

KEY	TENNANT® PART NO.	MACHINE SERIAL NUMBER	DESCRIPTION	QTY.
1	22297	(-)	CLAMP, Wormdrive	4
2	54159	(-)	ADAPTOR, Molded	1
3	11531	(-)	CLAMP, Wormdrive	3
4	64196	(-)	TUBE, Air cleaner	1
5	53921	(-)	HOSE	1
6	69628	(-)	HOSE, PVC	1

SECTION 9 DIESEL PARTS

CONTENTS

	Page
Ordering Repair Parts.....	9-1
Fig. 1 - Engine Hood Assembly, Diesel.....	9-2
Fig. 2 - Instrument Panel Group, Diesel.....	9-4
Fig. 3 - Directional Control Pedal Group, Diesel....	9-5
Fig. 4 - Engine Group, Diesel.....	9-8
Fig. 5 - Air Cleaner Group, Diesel.....	9-9
Fig. 6 - Exhaust System Group, Diesel.....	9-10
Fig. 7 - Radiator Group, Diesel.....	9-11
Fig. 8 - Fuel Tank Group, Diesel.....	9-12
Fig. 9 - Battery Group, Diesel.....	9-13
Fig. 10 - Complete Hydraulic System, Diesel.....	9-14
Fig. 11 - Hydraulic Pump Group.....	9-15
Fig. 12 - Hydraulic Fluid Reservoir and Fluid Cooler Group.....	9-16
Fig. 13 - Wire Harnesses, Diesel.....	9-17

NOTE: Section 9, Diesel Parts, lists repair parts unique to a diesel powered machine.

Home

Find...

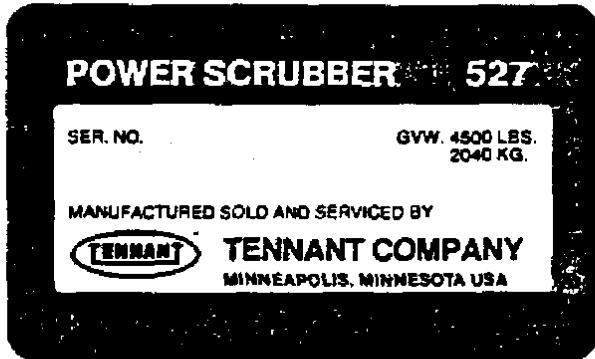
Go To..



ORDERING REPAIR PARTS

To avoid errors or delays in filling parts orders, please furnish all of the following information.

1. Always specify the machine model number and the machine serial number shown on the machine data plate.



2. Give the part number, description, and the quantity needed of each item on the order. Do not order by reference number or the figure number of the illustrated parts.
3. Indented items indicate parts of assemblies. Standard hardware is furnished only when part of a purchased assembly. Please order hardware from a local hardware supplier.
4. If the old part cannot be identified, send it to us with the quantity needed specified on the order.
5. State definite shipping instructions to include the shipping address and/or the billing address if there is a difference. Any claim for loss or damage to a shipment in transit should be filed promptly against the transportation company making the delivery. Shipments will be complete unless the packing list or order acknowledgment indicate items back ordered.

If parts received are suspected to be incorrect or defective, please write, wire, or phone the Tennant Company representative from whom you ordered the part. They will give authorization for return and/or handle replacement shipments when required.

SI (INTERNATIONAL SYSTEM) UNITS OF MEASURE

Metric equivalents have been included, where applicable, throughout this parts catalog.

BOLT AND CAP SCREW STRENGTH IDENTIFICATION

Bolts and cap screws required to have high-strength qualities equivalent to SAE Grade 8 are identified throughout this catalog by the description GR 8. Unless identified by this description, all standard bolts and cap screws are SAE Grade 5.

SERIAL NUMBER INFORMATION EXPLANATION

Serial number information is listed parenthetically to show on which machines each part can be used. These listings are explained by the following examples:

() The part can be used on all machines.

(0000001234-) The part can be used on all machines beginning with the serial number listed.

(0000000000-0000001234) The part can be used on all machines up to and including serial number listed.

(0000001234-0000005678) The part can be used on all machines between and including the serial numbers listed.

Where XXXXX's are listed in place of a serial number, it indicates a serial number change was made but the exact serial number had not been established when the catalog went to press.

(Specifications and design subject to change without notice.)

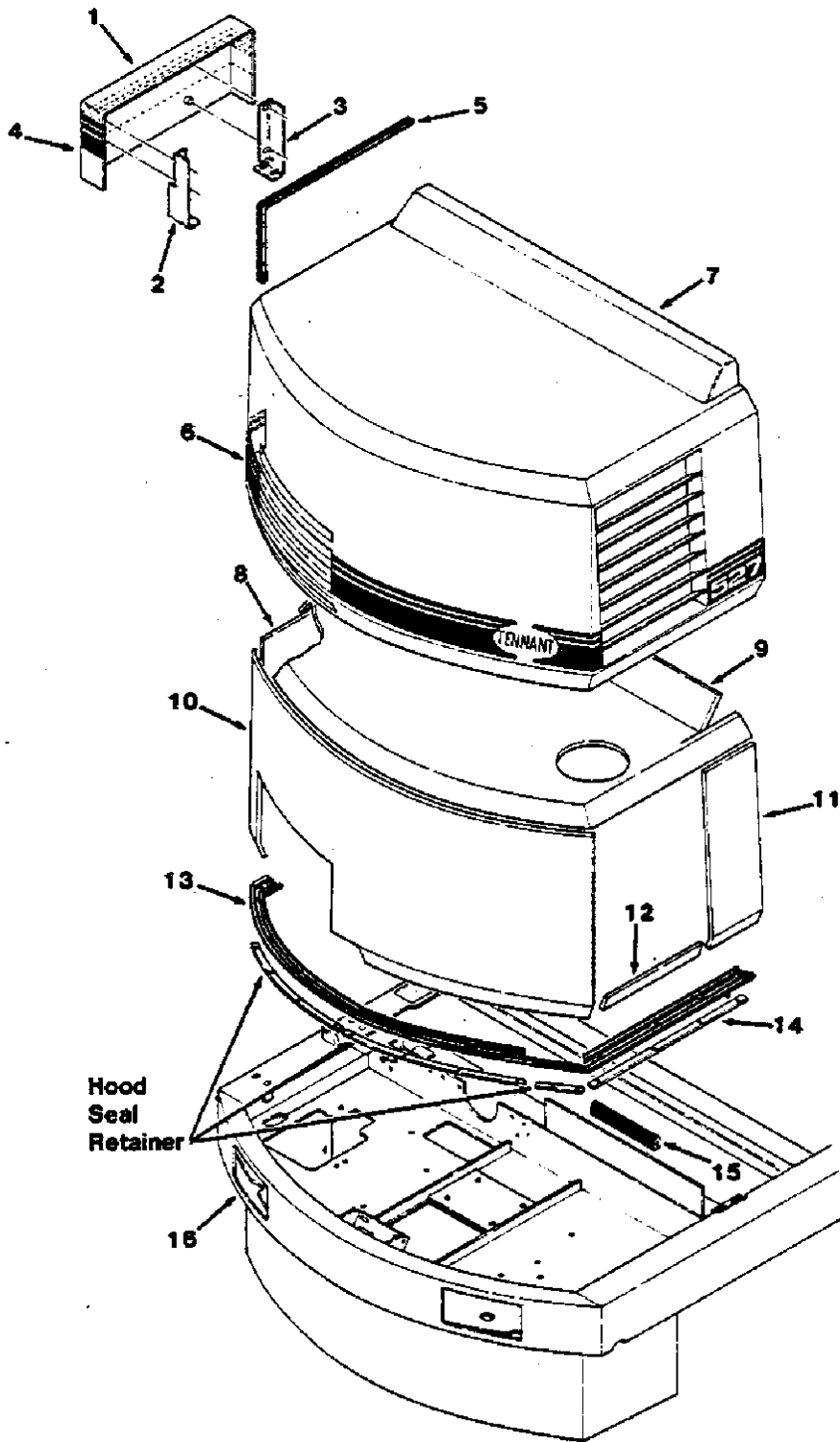
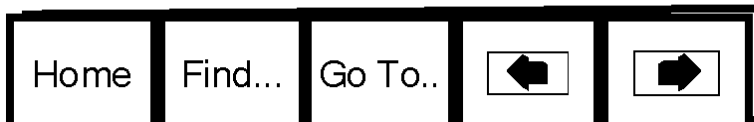


FIG. 1 - ENGINE HOOD ASSEMBLY, DIESEL

FIG. 1 - ENGINE HOOD ASSEMBLY, DIESEL

01164

KEY	TENNANT® PART NO.	MACHINE SERIAL NUMBER	DESCRIPTION	QTY.
1	16284	(-)	COVER, Pump	1
2	16311	(-)	BRACKET, Cover mounting	1
3	16312	(-)	BRACKET, Cover mounting	1
4	16340	(-)	DECAL, Strip, R.H.	1
5	46070-2	(-)	SEAL, Foam	1
6	16342	(-)	DECAL, Strip, R.H.	1
7	16259	(-)	HOOD AND INSULATION ASSEMBLY	1
8	16255	(-)	INSULATION, Hood	1
9	64185	(-)	INSULATION, Hood	1
10	64186	(-)	INSULATION, Hood	1
11	64183	(-)	INSULATION, Hood	1
12	64182	(-)	INSULATION, Hood	1
13	16328	(-)	SEAL	1
14	64792	(-)	RETAINER, Hood seal	1
15	62585-16	(-)	MOLDING, Rigid	1
16	16326	(-)	FRAME, Main, diesel	1



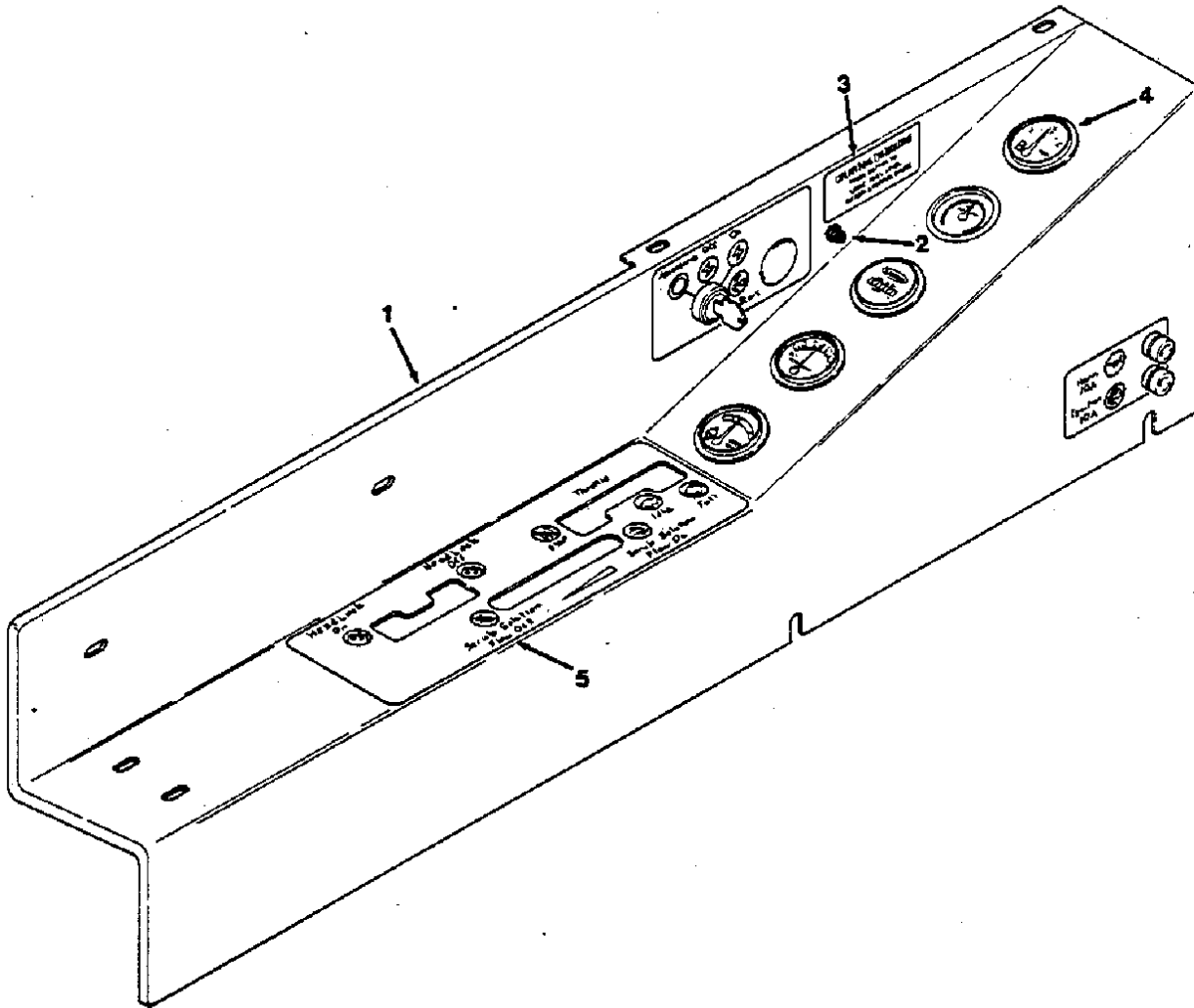


FIG. 2 - INSTRUMENT PANEL GROUP, DIESEL

01159

KEY	TENNANT® PART NO.	MACHINE SERIAL NUMBER	DESCRIPTION	QTY.
1	16327	(-)	PANEL, Instrument, diesel	1
2	76147	(-)	BOOT, Pushbutton	1
	76131	(-)	SWITCH, Pushbutton	1
3	62690	(-)	DECAL, Fuel level check	1
4	47472	(-)	GAUGE, Fuel level	1
	69270	(-)	SPACER, Fuel gauge	1
	27184	(-)	TERMINAL, 2 Tab	1
5	16266	(-)	DECAL, Instrument panel	1

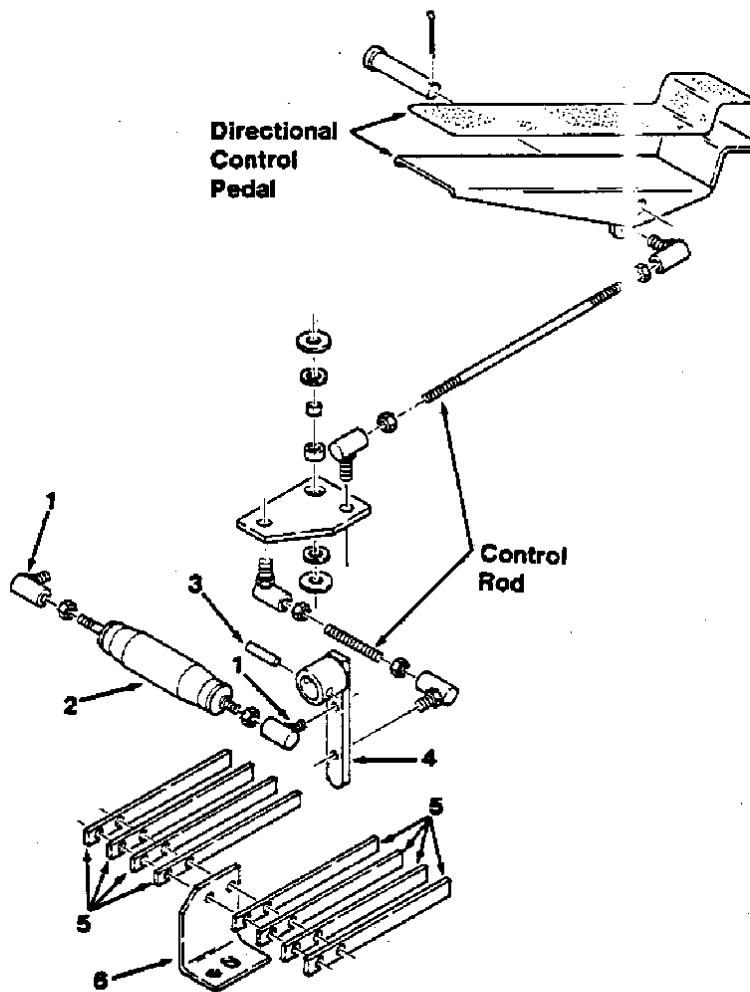


FIG. 3 - DIRECTIONAL CONTROL PEDAL GROUP, DIESEL

01162

KEY	TENNANT® PART NO.	MACHINE SERIAL NUMBER	DESCRIPTION	QTY.
1	51531	(-)	BALL JOINT	2
2	62700	(-)	SHOCK ABSORBER	1
3	14854	(-)	PIN, Roll	1
4	16281	(-)	LEVER, Pump	1
5	49681	(-)	PLATE, Spring	8
6	16318	(-)	BRACKET, L	1

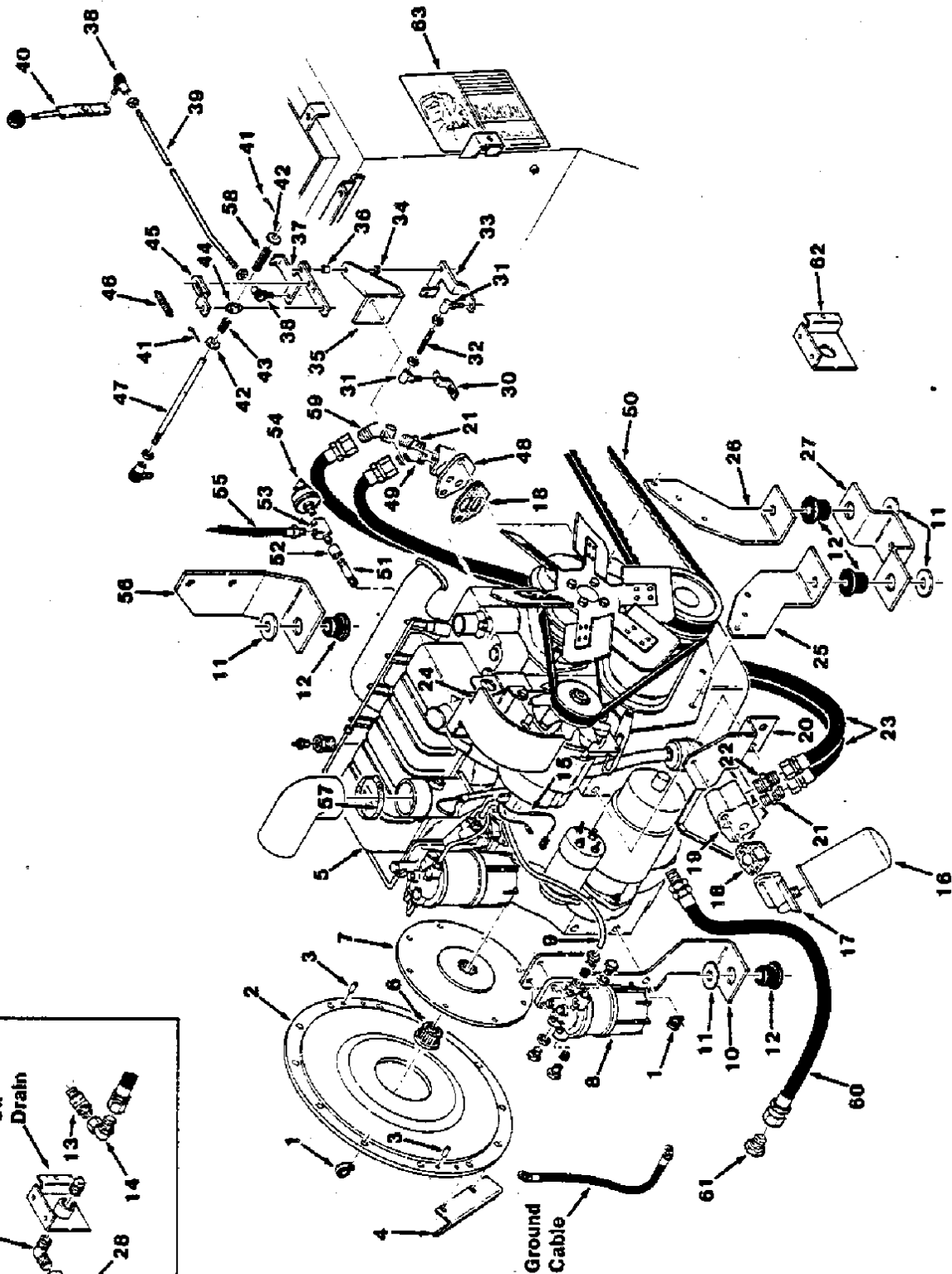
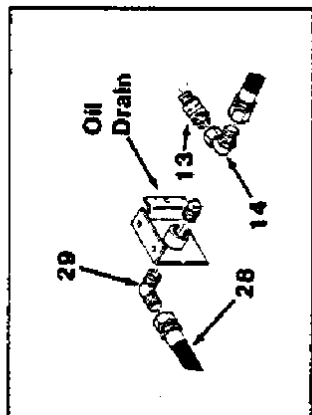




FIG. 4 - ENGINE GROUP, DIESEL

FIG. 4 - ENGINE GROUP, DIESEL

01181

KEY	TENNANT® PART NO.	MACHINE SERIAL NUMBER	DESCRIPTION	QTY.
1	40678	(-)	CLAMP, Cable	2
2	16268	(-)	MOUNT, Pump	1
3	23999-8	(-)	PIN, Roll	2
4	16310	(-)	BRACKET, Hose	1
5	16260	(-)	ENGINE, Diesel	1
6	16339	(-)	ADAPTOR, Pump driving coupling	1
7	16338	(-)	COUPLING, Pump drive	1
8	52770-8	(-)	WATER TRAP, Fuel	1
9	62049-4	(-)	TUBE, Water trap to fuel pump	1
10	16273	(-)	BRACKET, Engine mounting	1
11	51564	(-)	WASHER	4
12	51176	(-)	DAMPNER, Engine	4
13	51780	(0000000000-0000001804)	ELBOW	1
14	17980	(0000000000-0000001804)	ELBOW	1
15	39703-8	(-)	WIRE HARNESS, Alternator	1
16	52770-5	(-)	ELEMENT, Oil filter	1
17	52770-4	(-)	HEAD, Oil filter	1
18	32588	(-)	GASKET, Oil	2
19	52770-3	(-)	ADAPTOR, Oil filter	1
20	16276	(-)	BRACKET, Oil filter	1
21	15687	(-)	CONNECTOR	2
22	06743	(-)	CONNECTOR	1
23	44861	(-)	HOSE	2
24	16337	(-)	SHIELD ASSEMBLY	1
	56515	(-)	SEAL, Foam	1
25	54500	(-)	BRACKET, Engine mounting, L.H.	1
26	54499	(-)	BRACKET, Engine mounting, R.H.	1
27	16275	(-)	BRACKET, Mounting, front	1
28	56701	(0000000000-0000001804)	HOSE	1
29	51869	(0000000000-0000001804)	ELBOW	1
30	16295	(-)	BRACKET, Fuel shut-off	1
31	53414	(-)	BALL JOINT	2
32	16289	(-)	ROD	1
33	16288	(-)	BELLCRANK	1
34	16298	(-)	SLEEVE	1
35	16319	(-)	BRACKET, Throttle	1
36	16299	(-)	SLEEVE	1
37	16287	(-)	BELLCRANK	1
38	14601	(-)	BALL JOINT	3
39	16290	(-)	ROD, Throttle	1
40	16293	(-)	HANDLE, Throttle	1
41	G179252	(-)	PIN, Cotter	2
42	32483	(-)	WASHER	2
43	62341	(-)	SPRING	1
44	16315	(-)	PIVOT, Rod	1
45	16294	(-)	BRACKET, Pivot	1
46	20075	(-)	SPRING	1
47	16291	(-)	ROD, Throttle	1
48	52770-2	(-)	ADAPTOR, Engine block	1
49	51780	(-)	ELBOW	1
50	64900	(-)	V-BELT	1
51	32529	(-)	NIPPLE	1
52	11848	(-)	COUPLING	1

Home Find... Go To..  

KEY	TENNANT® PART NO.	MACHINE SERIAL NUMBER	DESCRIPTION	QTY.
53	16459	(-)	TEE	1
54	51805	(-)	SWITCH, Oil pressure	1
55	16460	(-)	HOSE	1
56	16274	(-)	BRACKET, Engine mounting	1
57	22297	(-)	CLAMP, Worm drive	1
58	54743	(-)	SPRING	1
59	07797	(-)	ELBOW, 45°	1
60	16374	(0000001805-	HOSE	1
61	16376	(0000001805-	PLUG	1
62	16375	(0000001805-	BRACKET	1
63	16363	(-)	DECAL, Maintenance	1
64	32436	(-)	PLUG, Sealing	2
65	32435	(-)	WASHER, Sealing	2
66	32587	(-)	NUT, Tube	2
67	32590	(-)	OLIVE, Rubber	2

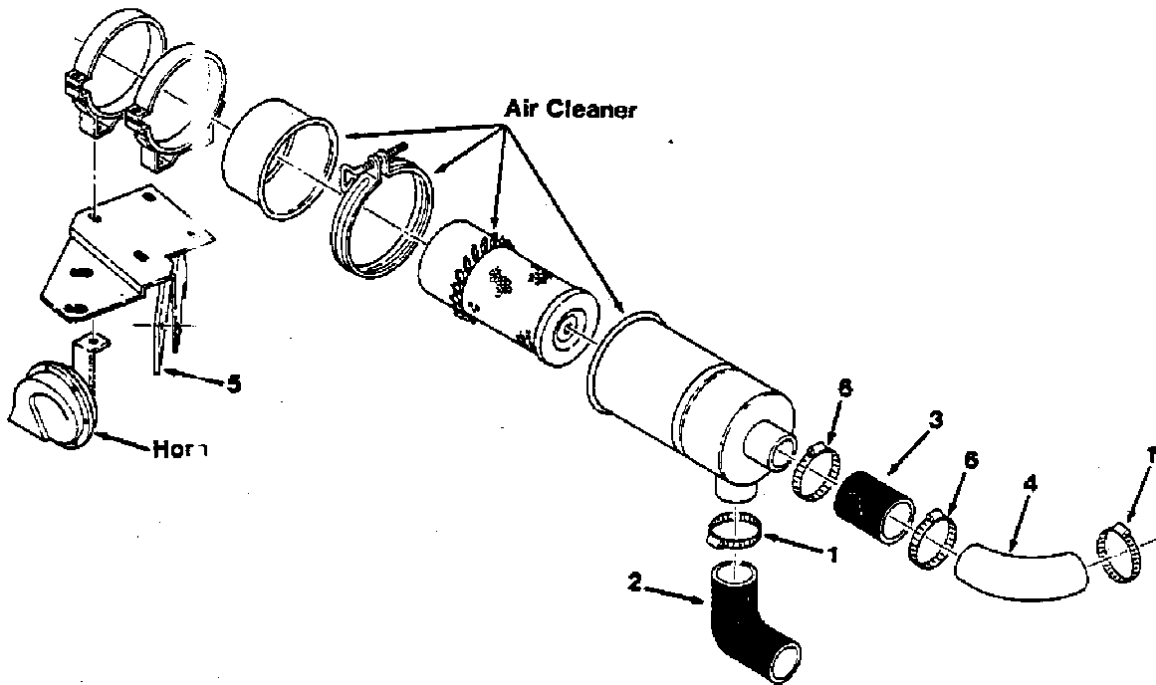


FIG. 5 - AIR CLEANER GROUP, DIESEL

01183

KEY	TENNANT® PART NO.	MACHINE SERIAL NUMBER	DESCRIPTION	QTY.
1	22297	(-)	CLAMP, Worm drive	2
2	76825	(-)	ELBOW, Air intake	1
3	15543	(-)	HOSE	1
4	16335	(-)	TUBE	1
5	16313	(-)	BRACKET, Air cleaner	1
6	55367	(-)	CLAMP, Worm drive	2

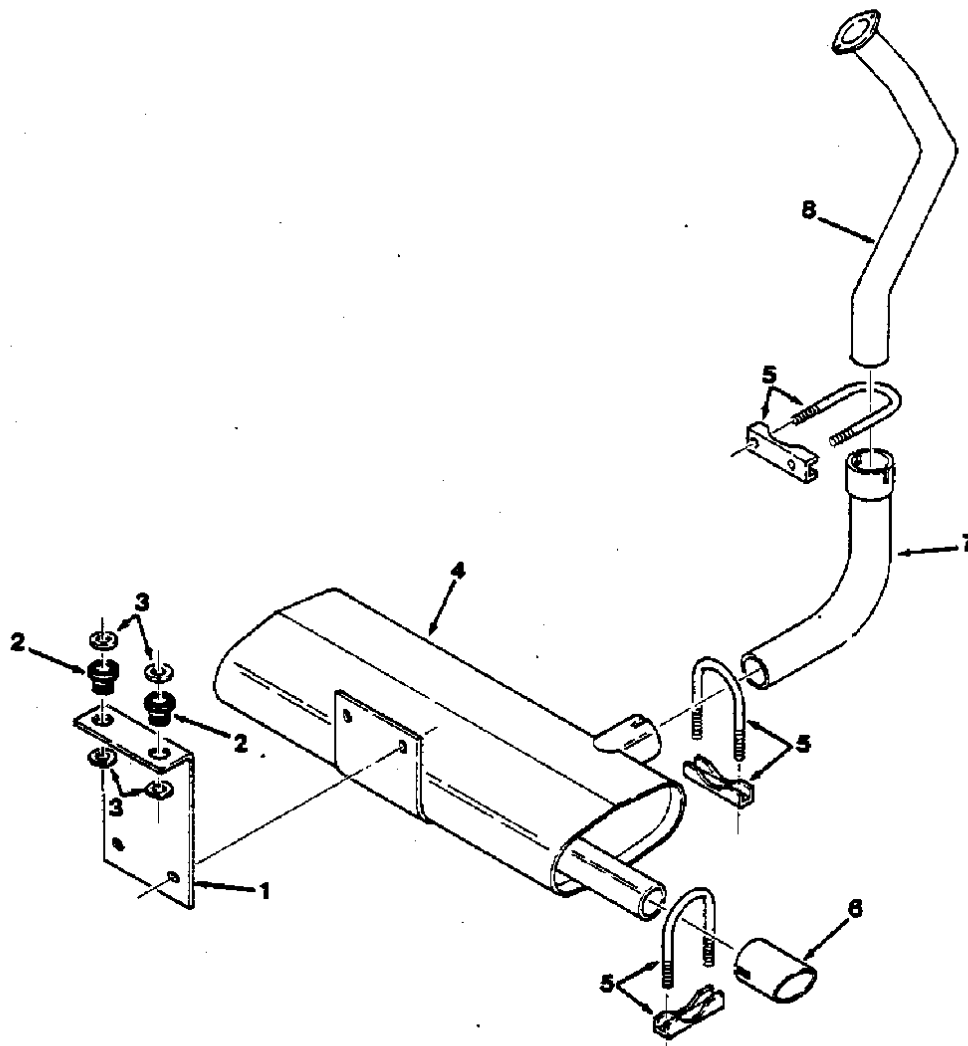


FIG. 6 - EXHAUST SYSTEM GROUP, DIESEL

01160

KEY	TENNANT® PART NO.	MACHINE SERIAL NUMBER	DESCRIPTION	QTY.
1	16314	(-)	BRACKET, Muffler	1
2	54274	(-)	ISOLATOR, Vibration	2
3	09832	(-)	WASHER	4
4	56465	(-)	MUFFLER	1
5	24012	(-)	CLAMP, Muffler	3
6	16322	(-)	PIPE, Tail	1
7	16341	(-)	PIPE, Exhaust	1
8	16321	(-)	PIPE, Exhaust	1

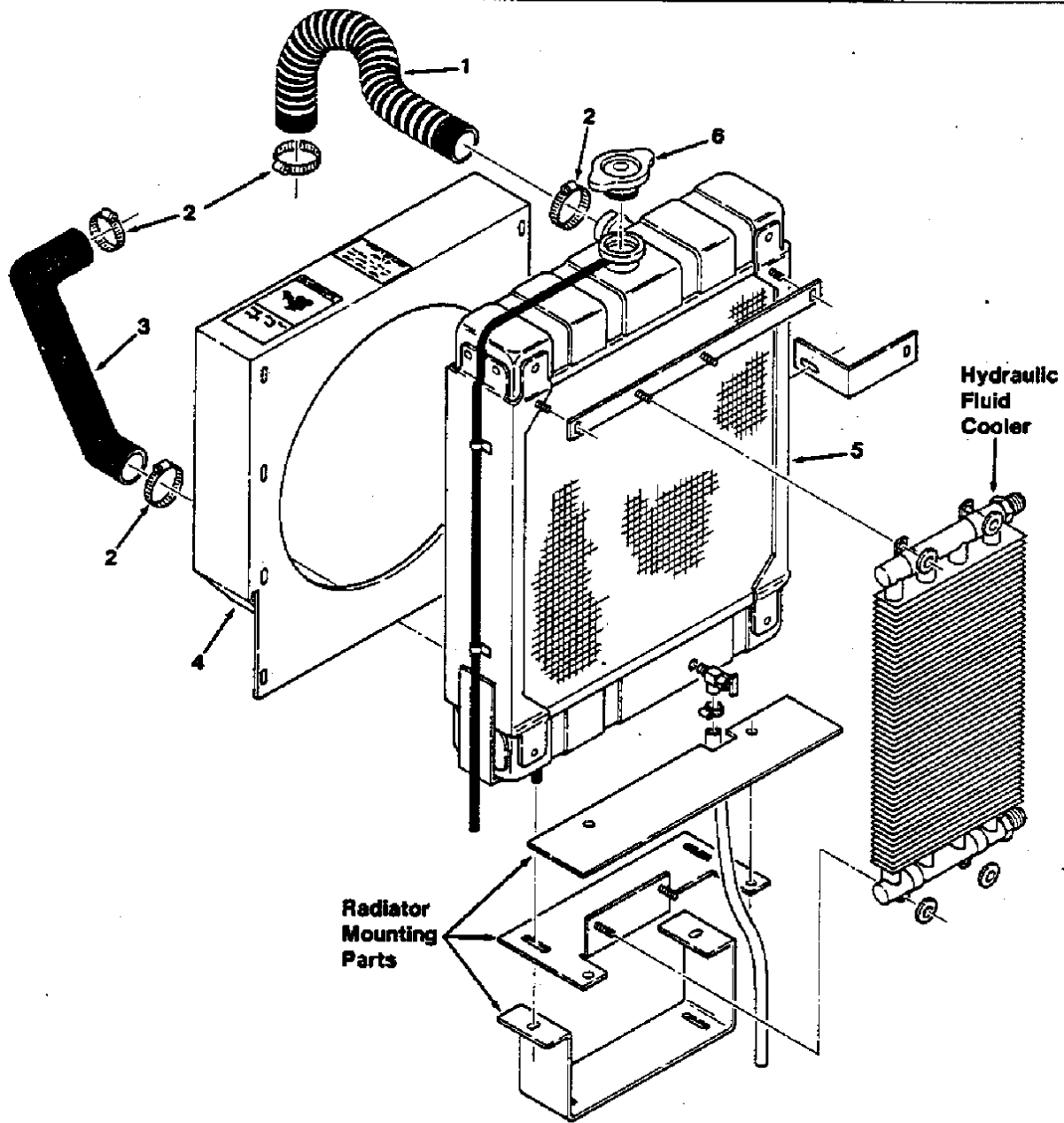


FIG. 7 - RADIATOR GROUP, DIESEL

01161

KEY	TENNANT® PART NO.	MACHINE SERIAL NUMBER	DESCRIPTION	QTY.
1	18589	(-)	HOSE, Radiator	1
2	11531	(-)	CLAMP, Worm drive	4
3	16269	(-)	HOSE, Radiator	1
4	16270	(-)	SHROUD, Radiator	1
5	69269	(-)	RADIATOR	1
6	59361	(-)	CAP, Radiator	1

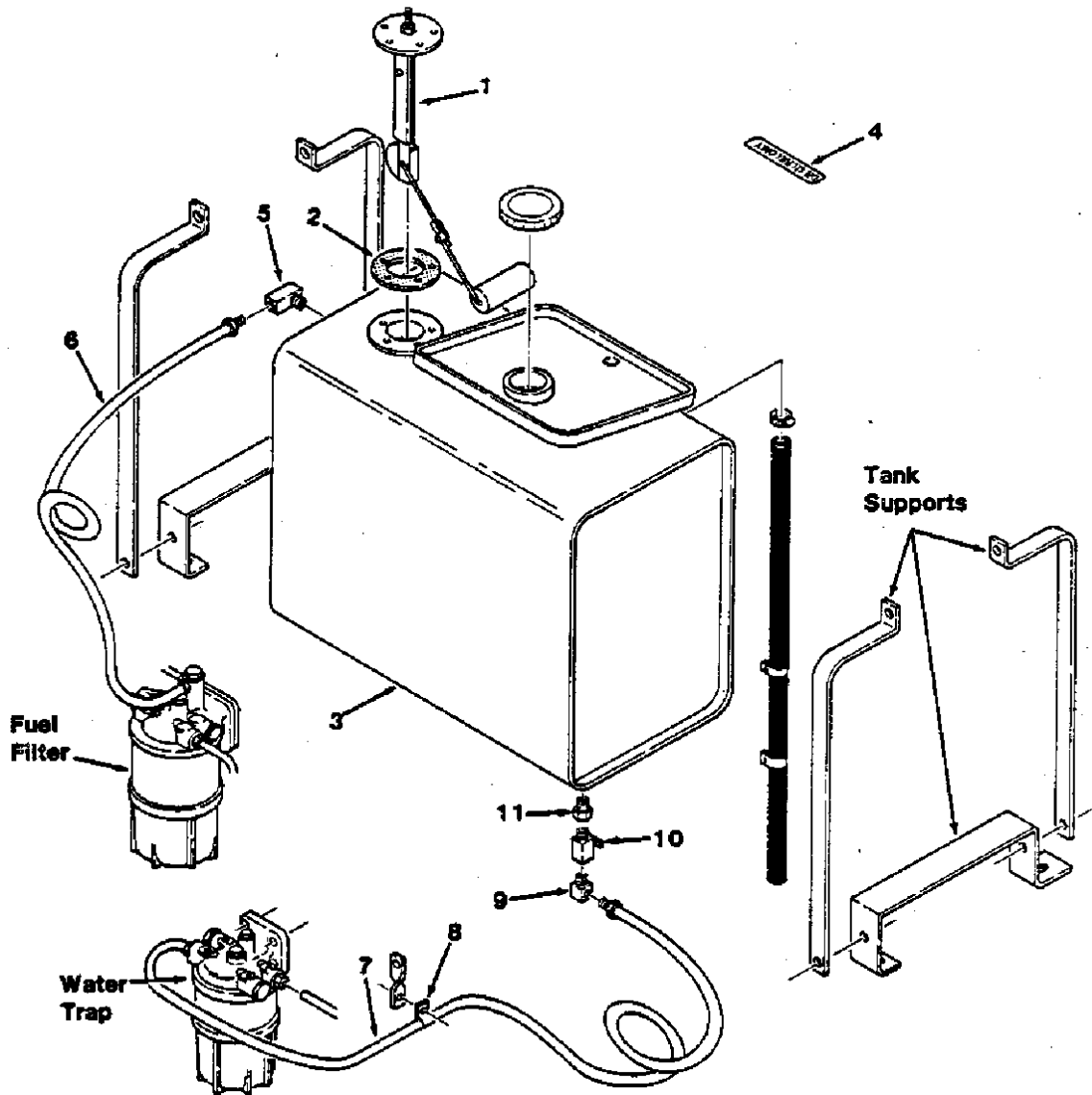


FIG. 8 - FUEL TANK GROUP, DIESEL

01170

KEY	TENNANT® PART NO.	MACHINE SERIAL NUMBER	DESCRIPTION	QTY.
1	47473	(-)	SENDING UNIT, Fuel tank	1
2	14131	(-)	GASKET	1
3	16316	(-)	TANK, Fuel	1
4	45850	(-)	DECAL, Diesel fuel only	1
5	15555	(-)	ELBOW	1
6	16264	(-)	FUEL LINE, Engine to tank	1
7	16263	(-)	FUEL LINE, Tank to water trap	1
8	46236	(-)	CLAMP, Cable	2
9	15555-1	(-)	ELBOW	1
10	13988	(-)	COCK	1
11	69736	(-)	CONNECTOR	1

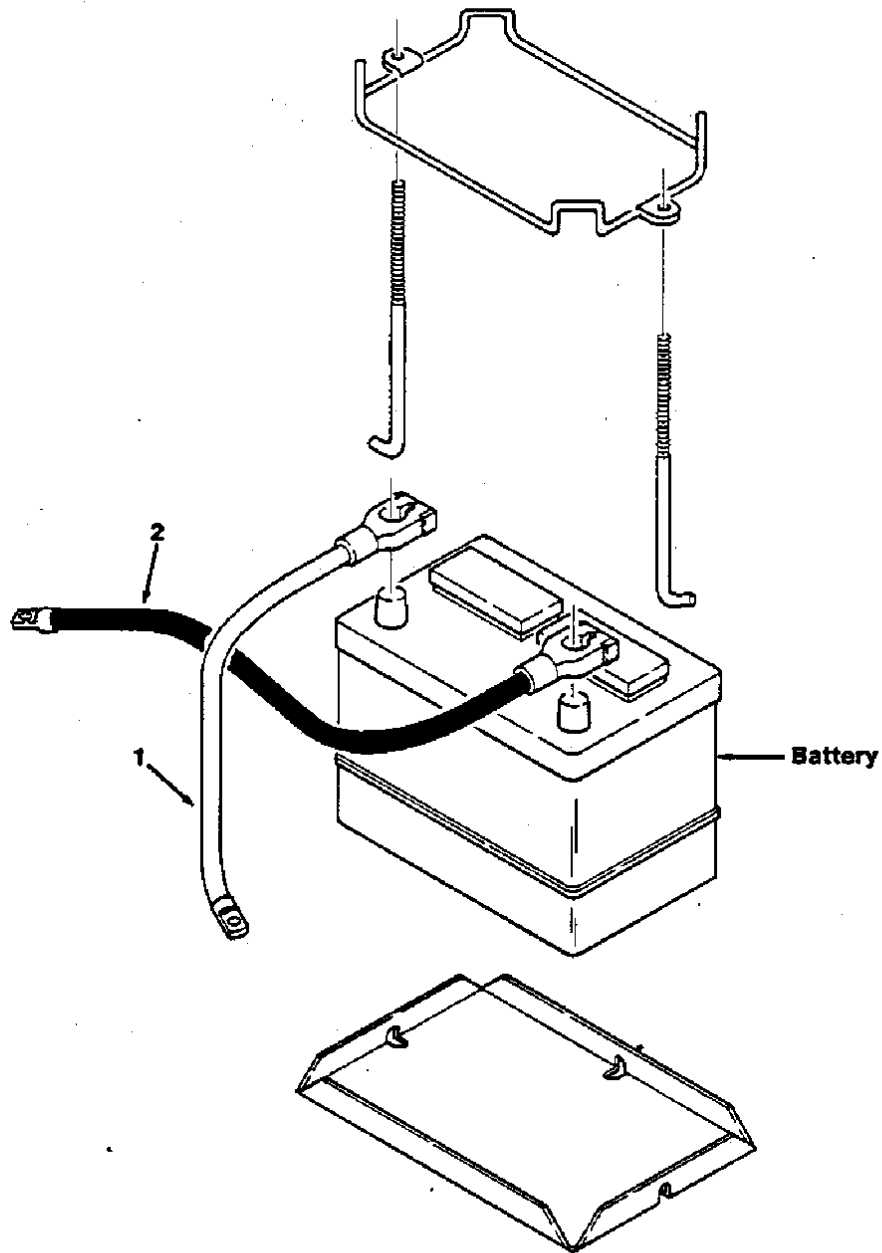


FIG. 9 - BATTERY GROUP, DIESEL

01168

KEY	TENNANT® PART NO.	MACHINE SERIAL NUMBER	DESCRIPTION	QTY.
1	68869	(-)	CABLE ASSEMBLY, Battery, positive	1
2	68870	(-)	CABLE ASSEMBLY, Battery, negative	1

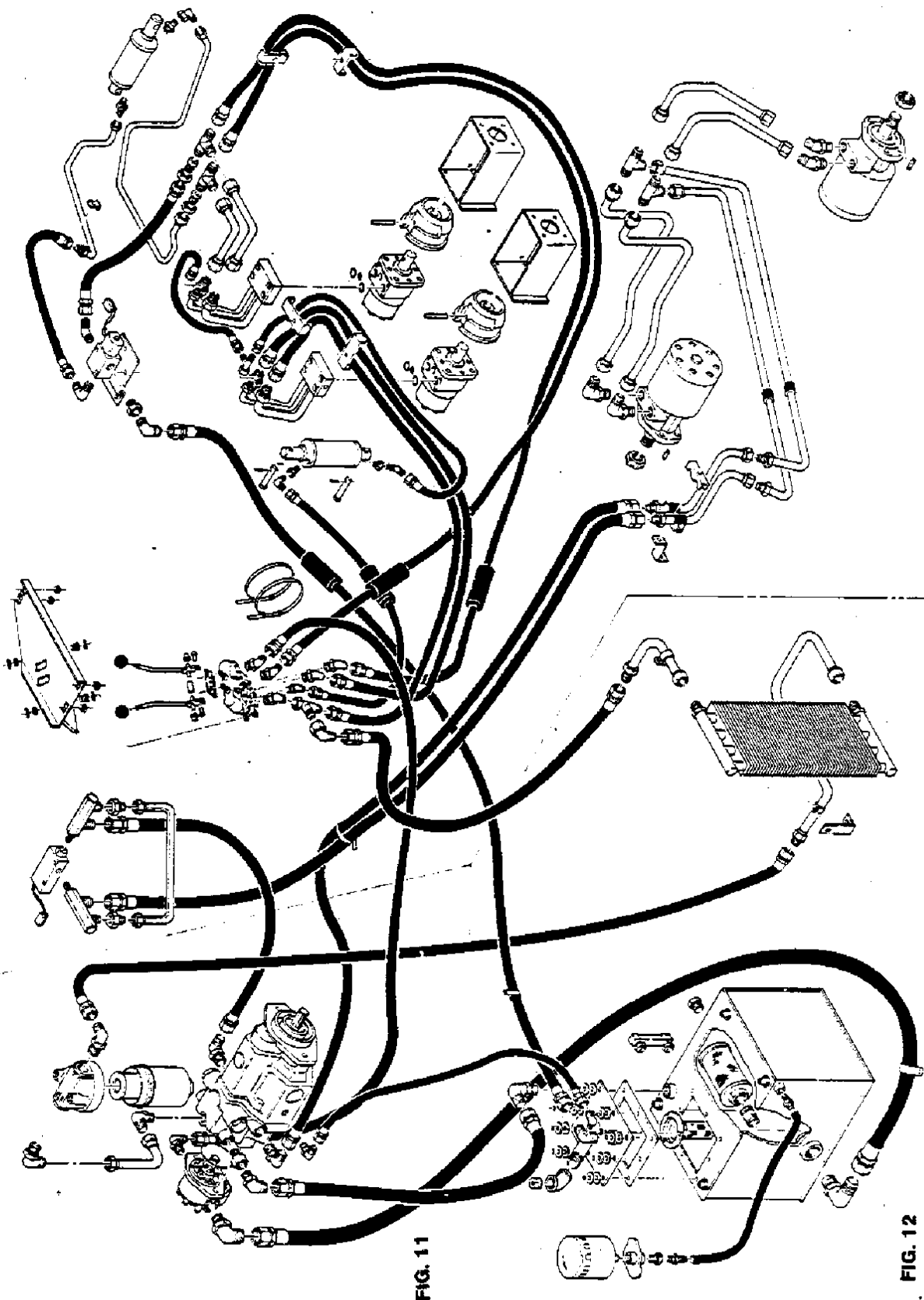


FIG. 11

FIG. 12

FIG. 10 - COMPLETE HYDRAULIC SYSTEM, DIESEL

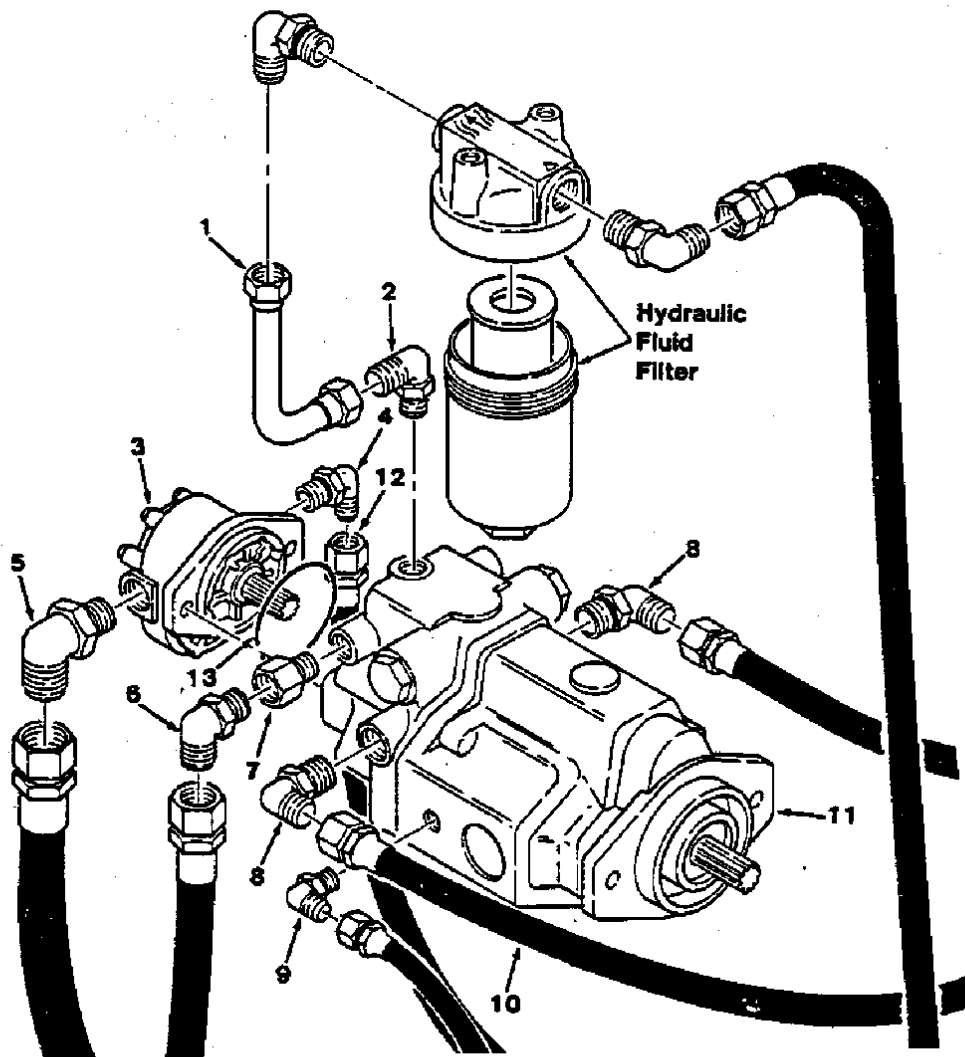


FIG. 11 - HYDRAULIC PUMPS GROUP

01172

KEY	TENNANT® PART NO.	MACHINE SERIAL NUMBER	DESCRIPTION	QTY.
1	16308	(-)	TUBE, Hydraulic	1
2	56827	(-)	ELBOW	1
3	65145	(-)	PUMP, Accessories	1
	SK1700	(-)	SEAL KIT	1
	34090	(-)	REPAIR KIT	1
4	56821	(-)	ELBOW	1
5	52142	(-)	ELBOW	1
6	47498	(-)	ELBOW	1
7	69174	(-)	CONNECTOR	1
8	53076	(-)	ELBOW	2
9	56820	(-)	ELBOW	1
10	16297	(-)	HOSE, Hydraulic	1
11	16333	(-)	PUMP, Propelling	1
12	34356	(-)	HOSE, Hydraulic	1
13	65145-1	(-)	O-RING	1

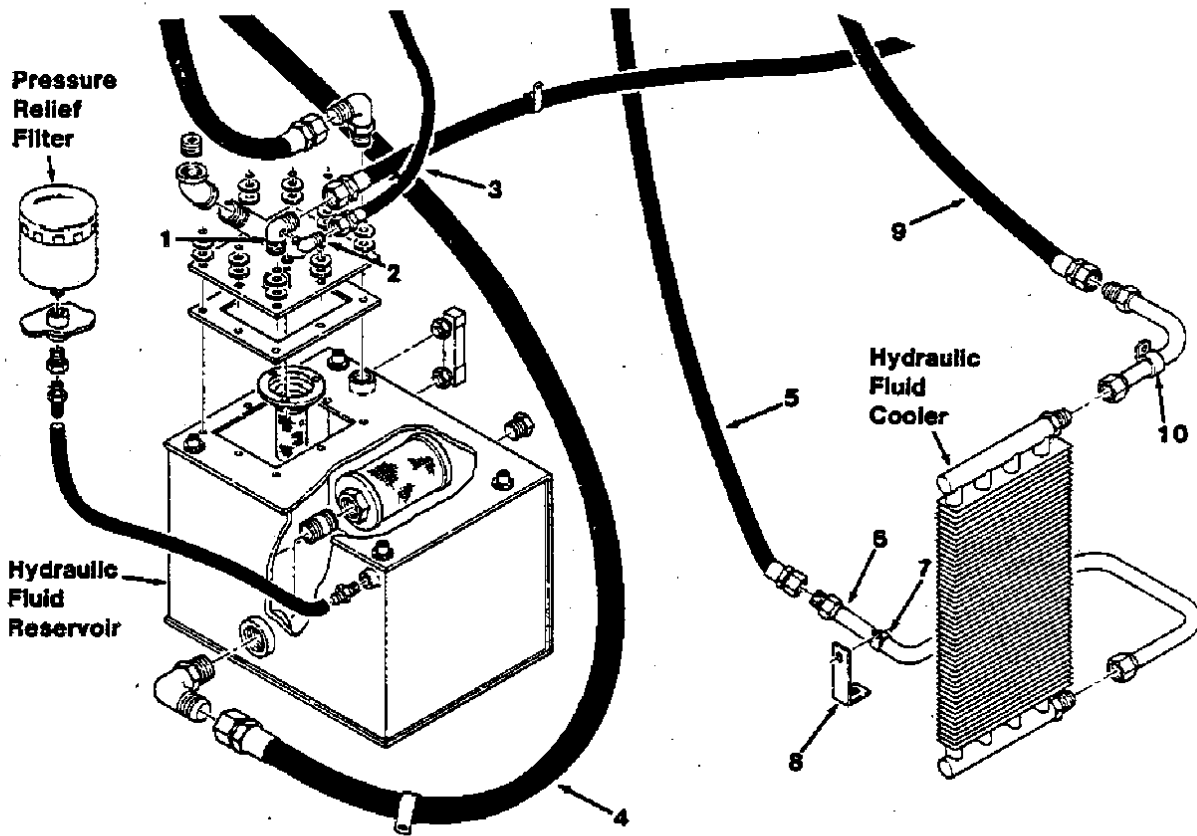


FIG. 12 - HYDRAULIC FLUID RESERVOIR AND FLUID COOLER GROUP

01173

KEY	TENNANT® PART NO.	MACHINE SERIAL NUMBER	DESCRIPTION	QTY.
1	16296	(-)	ELBOW	1
2	52424	(-)	ELBOW	1
3	76252	(-)	HOSE, Hydraulic	1
4	52136	(-)	HOSE, Hydraulic	1
5	69485	(-)	HOSE, Hydraulic	1
6	16320	(-)	TUBE, Fluid cooler	1
7	40678-1	(-)	CLAMP, Cable	1
8	16309	(-)	BRACKET, Mounting, tube	1
9	69484	(-)	HOSE, Hydraulic	1
10	67767	(-)	CLAMP, Cable	1

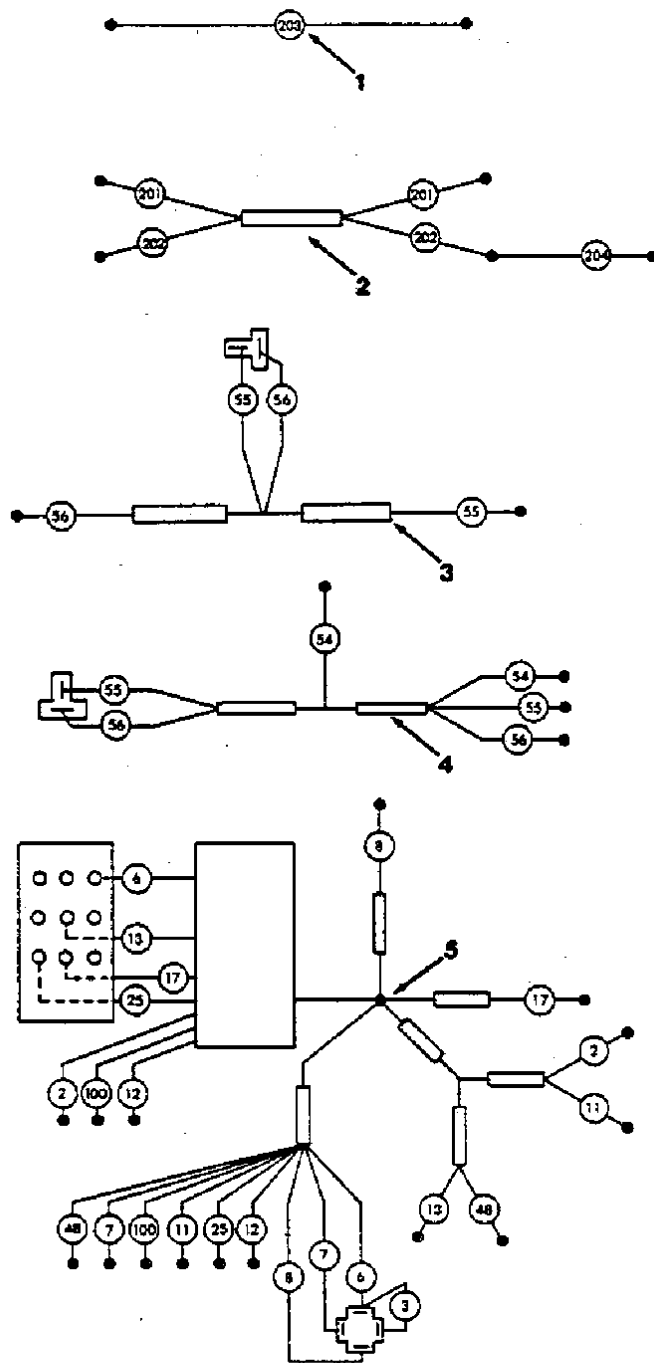


FIG. 13 - WIRE HARNESSSES, DIESEL

01165

KEY	TENNANT® PART NO.	MACHINE SERIAL NUMBER	DESCRIPTION	QTY.
1	16258	(-)	WIRE HARNESS	1
2	16257	(-)	WIRE HARNESS, Oil pressure switch	1
3	69617	(-)	WIRE HARNESS, Fuel gauge	1
4	69618	(-)	WIRE HARNESS, Fuel gauge	1
5	16256	(-)	WIRE HARNESS, Engine, diesel	1

SECTION 10 SRS® PARTS

CONTENTS

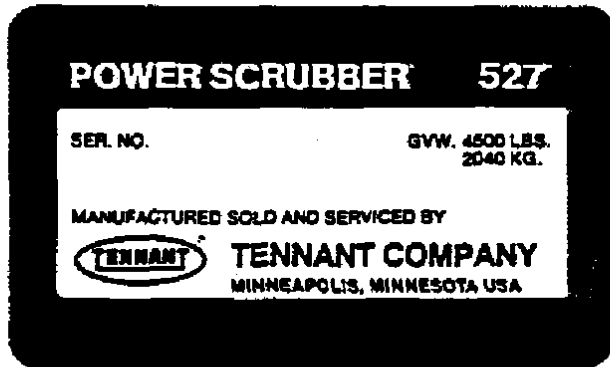
	Page
Ordering Repair Parts.....	10-1
Fig. 1 - Solution Supply Group, SRS®.....	10-2
Fig. 2 - Solution Supply Group, SRS®.....	10-2
Fig. 3 - Solution Tank Group, SRS®.....	10-6
Fig. 4 - Instrument Panels Group, SRS®.....	10-8
Fig. 5 - Wire Harness, SRS®.....	10-9
Fig. 6 - Solution Pump Breakdown.....	10-10
Fig. 7 - Solution Pump Breakdown.....	10-11
Fig. 8 - Cleaning Solution Pump Breakdown.....	10-12

NOTE: Section 10, SRS® Parts, lists repair parts unique to a Model 527SRS®. To find parts not listed here, see Section 7, Standard Parts.

ORDERING REPAIR PARTS

To avoid errors or delays in filling parts orders, please furnish all of the following information.

1. Always specify the machine model number and the machine serial number shown on the machine data plate.



2. Give the part number, description, and the quantity needed of each item on the order. Do not order by reference number or the figure number of the illustrated parts.
3. Indented items indicate parts of assemblies. Standard hardware is furnished only when part of a purchased assembly. Please order hardware from a local hardware supplier.
4. If the old part cannot be identified, send it to us with the quantity needed specified on the order.
5. State definite shipping instructions to include the shipping address and/or the billing address if there is a difference. Any claim for loss or damage to a shipment in transit should be filed promptly against the transportation company making the delivery. Shipments will be complete unless the packing list or order acknowledgement indicate items back ordered.

If parts received are suspected to be incorrect or defective, please write, wire, or phone the Tennant Company representative from whom you ordered the part. They will give authorization for return and/or handle replacement shipments when required.

SI (INTERNATIONAL SYSTEM) UNITS OF MEASURE

Metric equivalents have been included, where applicable, throughout this parts catalog.

BOLT AND CAP SCREW STRENGTH IDENTIFICATION

Bolts and cap screws required to have high-strength qualities equivalent to SAE Grade 8 are identified throughout this catalog by the description GR 8. Unless identified by this description, all standard bolts and cap screws are SAE Grade 5.

SERIAL NUMBER INFORMATION EXPLANATION

Serial number information is listed parenthetically to show on which machines each part can be used. These listings are explained by the following examples:

() The part can be used on all machines.

(0000001234-) The part can be used on all machines beginning with the serial number listed.

(0000000000-0000001234) The part can be used on all machines up to and including serial number listed.

(0000001234-0000005678) The part can be used on all machines between and including the serial numbers listed.

Where XXXXX's are listed in place of a serial number, it indicates a serial number change was made but the exact serial number had not been established when the catalog went to press.

(Specifications and design subject to change without notice.)

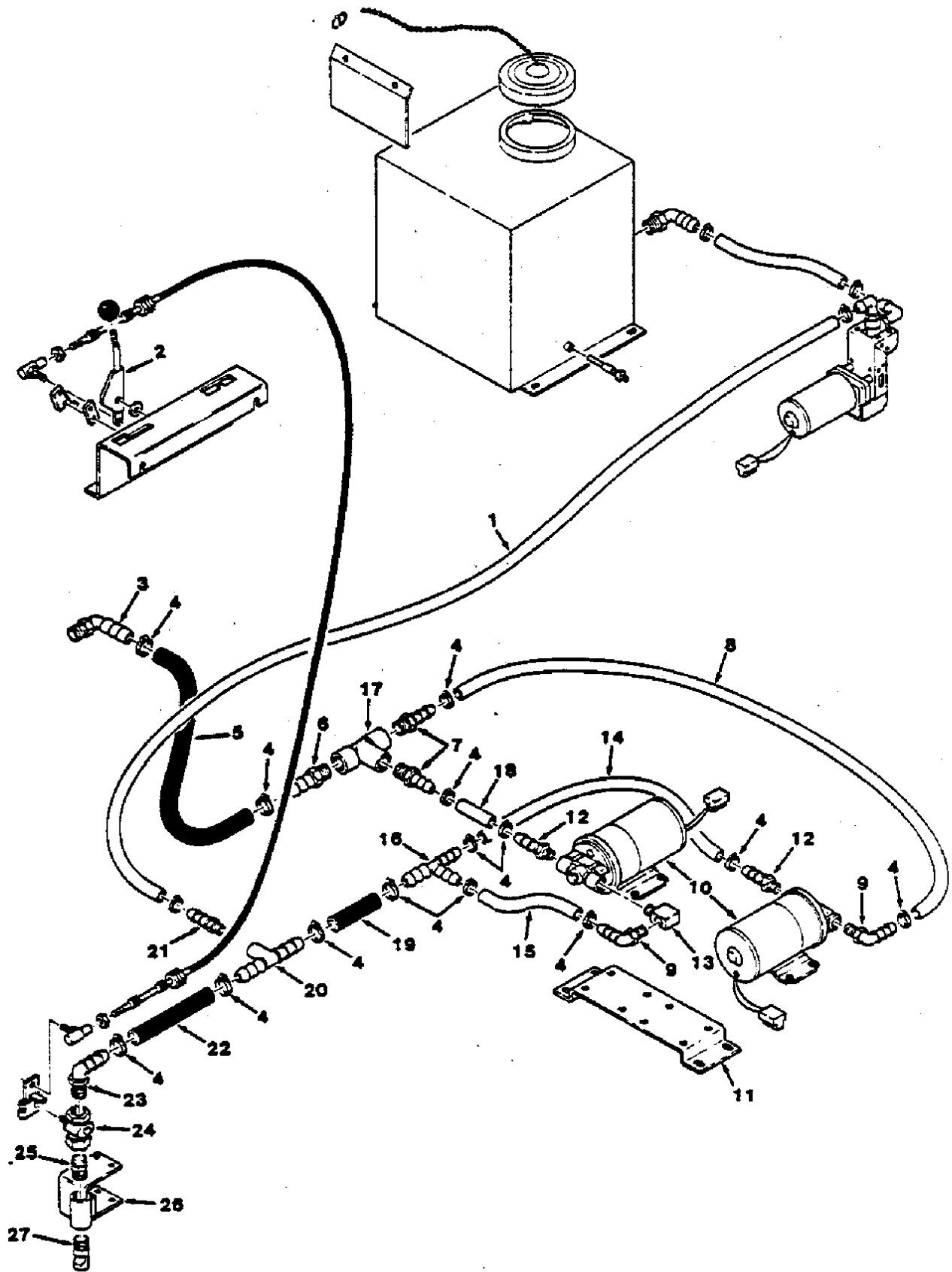


FIG. 1 - SOLUTION SUPPLY GROUP, SRS®

FIG. 1 - SOLUTION SUPPLY GROUP, SRS®

00494

KEY	TENNANT® PART NO.	MACHINE SERIAL NUMBER	DESCRIPTION	QTY.
1	63182-5	(0000000000-0000002049)	HOSE	1
2	64937	(0000000000-0000002049)	HANDLE, Solution	1
3	75604	(0000000000-0000002049)	ELBOW	1
4	11399	(0000000000-0000002049)	CLAMP, Worm drive	14
5	69455	(0000000000-0000002049)	HOSE	1
6	79273-2	(0000000000-0000002049)	CONNECTOR	1
7	79273-1	(0000000000-0000002049)	CONNECTOR	2
8	63184-1	(0000000000-0000002049)	HOSE	1
9	64778	(0000000000-0000002049)	ELBOW	2
	SK2497	(0000000000-0000002049)	CONVERSION KIT, Solution supply	1
10	79325A-1	(0000000000-0000002049)	PUMP, Water	2
	19960	(0000000000-0000002049)	REPAIR KIT, Pump	1
11	64148	(0000000000-0000002049)	BRACKET, Pump mounting	1
12	64743	(0000000000-0000002049)	CONNECTOR	2
13	24584	(0000000000-0000002049)	ELBOW	1
14	16361	(0000000000-0000002049)	HOSE	1
15	16362	(0000000000-0000002049)	HOSE	1
16	64741	(0000000000-0000002049)	TEE	1
17	42133A	(0000000000-0000002049)	TEE	1
18	63184-7	(0000000000-0000002049)	HOSE	1
19	75197	(0000000000-0000002049)	HOSE	1
20	64740	(0000000000-0000002049)	TEE	1
21	79273	(0000000000-0000002049)	CONNECTOR	1
22	69454	(0000000000-0000002049)	HOSE	1
23	75604	(0000000000-0000002049)	ELBOW	1
24	76083	(0000000000-0000002049)	VALVE, Water	1
25	02266	(0000000000-0000002049)	NIPPLE	1
26	64706	(0000000000-0000002049)	BRACKET, Nozzle mounting	1
27	79327	(0000000000-0000002049)	NOZZLE, Floodjet	1

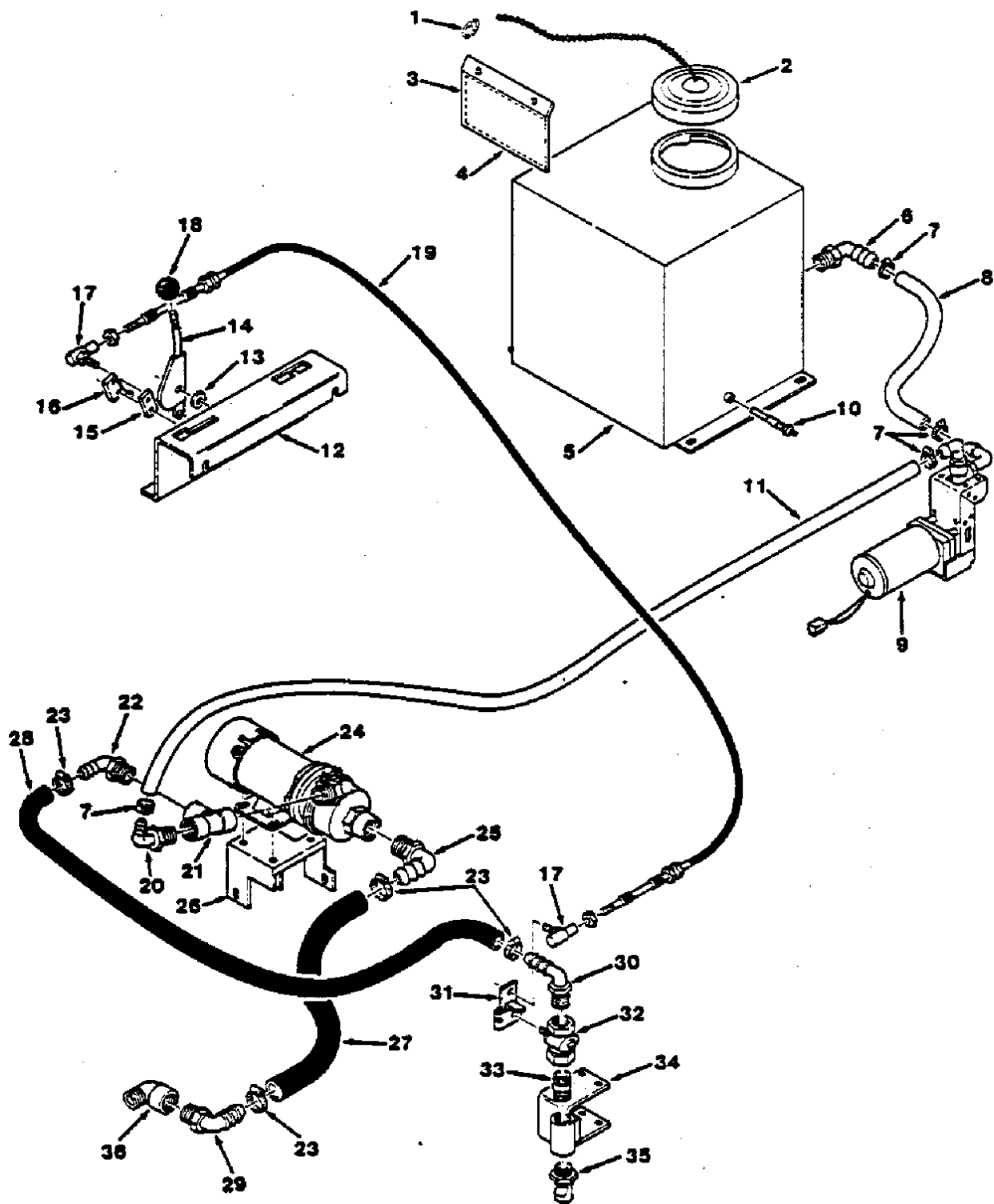


FIG. 2 - SOLUTION SUPPLY GROUP, SRS®

FIG. 2 - SOLUTION SUPPLY GROUP, SRS[®]

01911

KEY	TENNANT [®] PART NO.	MACHINE SERIAL NUMBER	DESCRIPTION	QTY.
1	43383	(-)	HOCK	1
2	79386	(-)	CAP, Filler	1
3	69760	(-)	BRACKET ASSEMBLY	1
	69747	(-)	BRACKET, Warning decal	1
4	69708	(-)	DECAL, Warning, no gasoline	1
5	69518	(-)	TANK, Detergent	1
6	79484	(-)	ELBOW	1
7	54333	(-)	CLAMP, Worm drive	4
8	63182-4	(-)	HOSE	1
9	SK2697	(000000000-0000001832)	PUMP REPLACEMENT KIT, Detergent	1
9	18485	(0000001833-	PUMP, Detergent	1
10	76089-2	(-)	PROBE, Liquid level	1
11	79610	(0000002050-	HOSE	1
12	69501	(-)	BRACKET, Control	1
13	07026	(-)	SLEEVE	1
14	79612	(0000002050-	HANDLE, Solution	1
15	69203	(-)	SPACER	1
16	20625	(-)	SWITCH	1
17	14601	(-)	BALL JOINT	2
18	28565	(-)	KNOB	1
19	69494-2	(-)	CABLE, Push-pull	1
20	79484	(0000002050-	ELBOW	1
21	42133A	(0000002050-	TEE	1
22	75804	(0000002050-	ELBOW	1
23	11399	(0000002050-	CLAMP, Worm drive	4
24	79614	(0000002050-	PUMP, Solution	1
25	18594	(0000002050-	ELBOW	1
26	18593	(0000002050-	MOUNT, Pump	1
27	79602	(0000002050-0000002233)	HOSE	1
27	57318	(0000002234-	HOSE	1
28	69455	(0000002050-0000002233)	HOSE	1
28	57317	(0000002234-	HOSE	1
29	18595	(0000002050-	ELBOW	1
30	40145	(0000002050-	ELBOW	1
31	64785	(-)	ARM, Valve	1
32	63253	(0000002050-	VALVE, Water	1
33	28298	(0000002050-	NIPPLE	1
34	79607	(0000002050-	BRACKET, Nozzle mounting	1
35	79608	(0000002050-	NOZZLE, Floodjet	1
36	69785	(0000002234-	FITTING, Elbow	1

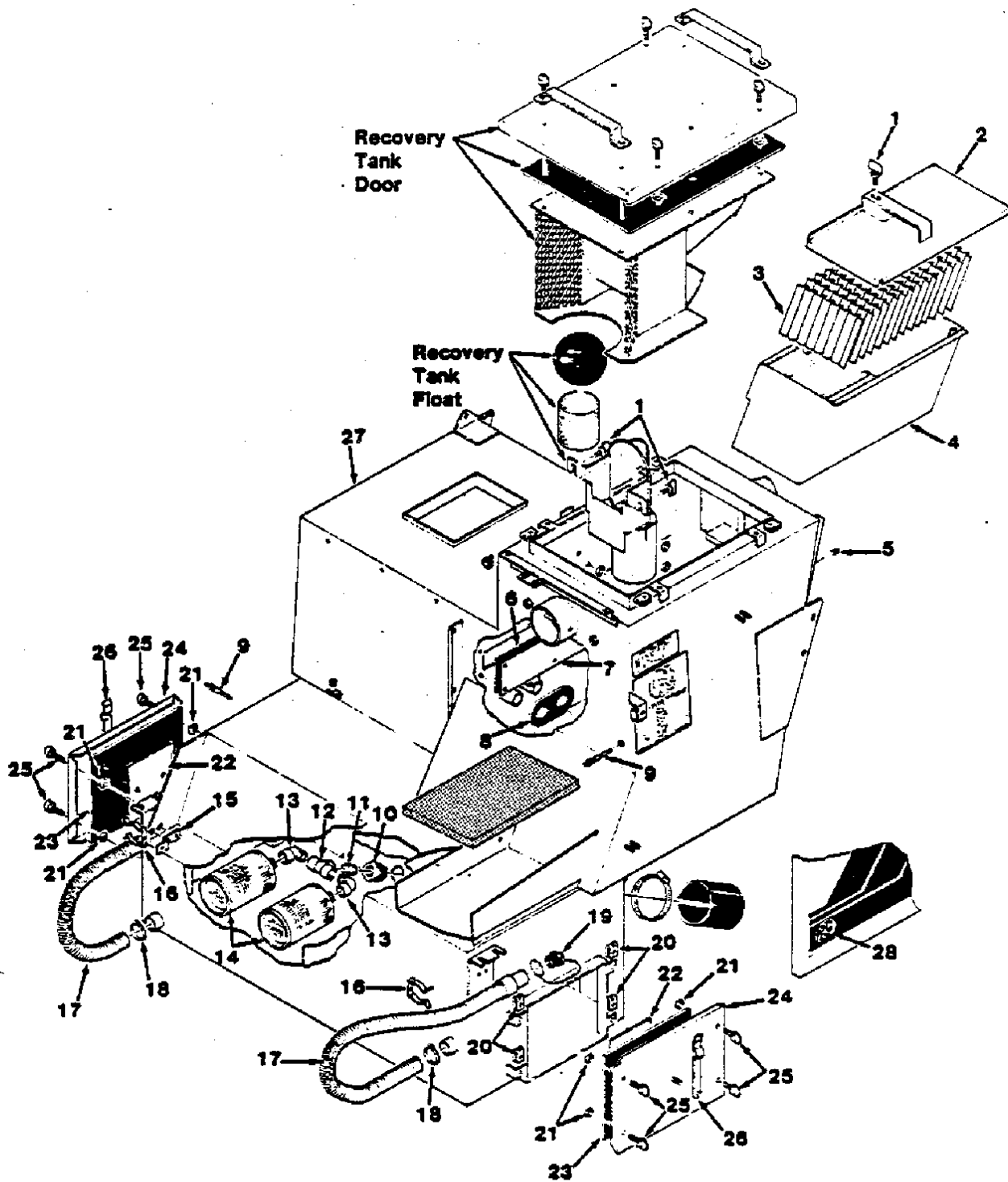




FIG. 3 - SOLUTION TANK GROUP, SRS®

FIG. 3 - SOLUTION TANK GROUP, SRS*

00493

KEY	TENNANT® PART NO.	MACHINE SERIAL NUMBER	DESCRIPTION	QTY.
1	69649	(-)	NUT, Wing	1
	64677	(-)	FILTER ASSEMBLY, Laminar flow	1
2	64003	(-)	COVER, Filter, laminar flow	1
3	64010	(-)	LAMINAR FLOW TUBES	1
4	64014	(-)	HOUSING, Filter, laminar flow	1
5	63511	(-)	PLUG	1
6	64015	(-)	SEAL, Tank divider	1
7	64016	(-)	PLATE, Tank divider	1
8	69639	(-)	SEAL, Vent tube	1
9	76089-2	(-)	PROBE, Liquid level	2
10	45185-1	(0000000000-0000002233)	BULKHEAD	1
11	69784	(-)	CONNECTOR	1
12	42133A	(-)	TEE	1
13	69785	(-)	ELBOW	2
14	79424	(-)	SCREEN, Solution	2
15	69612	(-)	BRACKET, Clip mounting	1
16	22473	(-)	CLIP, Hose	2
17	69207	(-)	HOSE, Drain	2
18	22297	(-)	CLAMP, Wormdrive	2
19	56505	(-)	PLUG, Expandable	2
20	28165	(-)	NUT, Clip	8
	64866	(-)	DOOR ASSEMBLY, Tank cleanout	2
21	26015	(-)	RETAINER, Thumbscrew	4
22	75048	(-)	RETAINER, Seal	1
23	78802	(-)	SEAL, Tank cleanout door	1
24	64867	(-)	DOOR, Tank cleanout	1
25	43460	(-)	THUMBSCREW	4
26	69637	(-)	RETAINER, Drain hose	1
27	SK2709	(0000000000-0000001822)	TANK, Solution and recovery	1
27	18600	(0000001823-	TANK, Solution and recovery	1
28	69739	(-)	DECAL, SRS*	1

Home Find... Go To..  

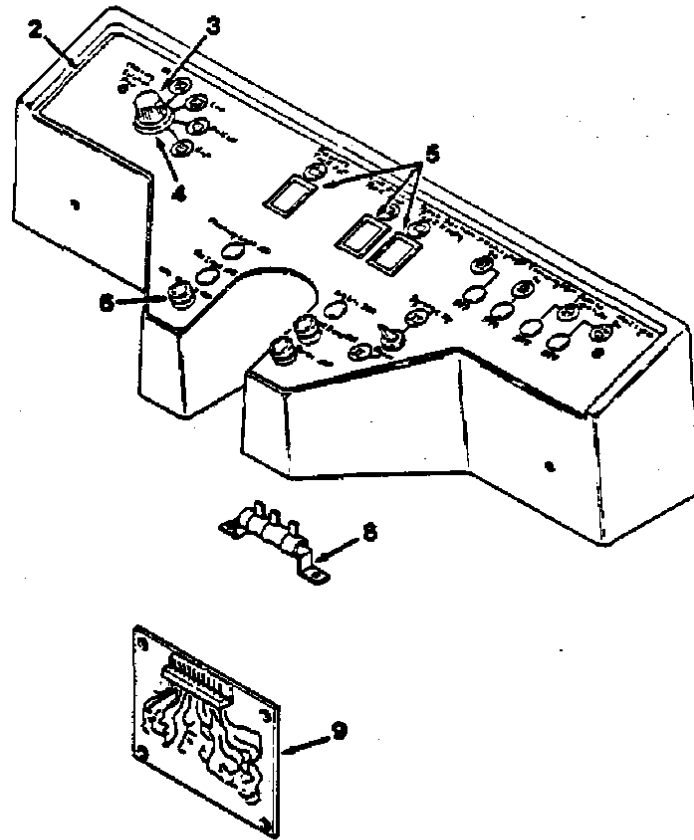


FIG. 4 - INSTRUMENT PANELS GROUP, SRS*

00496

KEY	TENNANT® PART NO.	MACHINE SERIAL NUMBER	DESCRIPTION	QTY.
1	69714	(0000000000-0000002049)	DECAL, Front panel, SRS*	1
2	79613	(0000002050-)	DECAL, Front panel, SRS*	1
3	83814	(- -)	KNOB	1
4	83837	(- -)	SWITCH, Detergent	1
5	84141	(- -)	LIGHT, Level sensing	3
6	45104	(- -)	HOLDER, Fuse	1
	31051	(- -)	FUSE, 15 A	1
7	83266	(0000000000-0000002049)	SWITCH, Toggle	1
8	SK2696	(0000000000-0000001832)	RESISTOR KIT	1
8	16440	(0000001833-)	RESISTOR	1
9	64795C-1	(- -)	P. C. BOARD, Level sensing	1

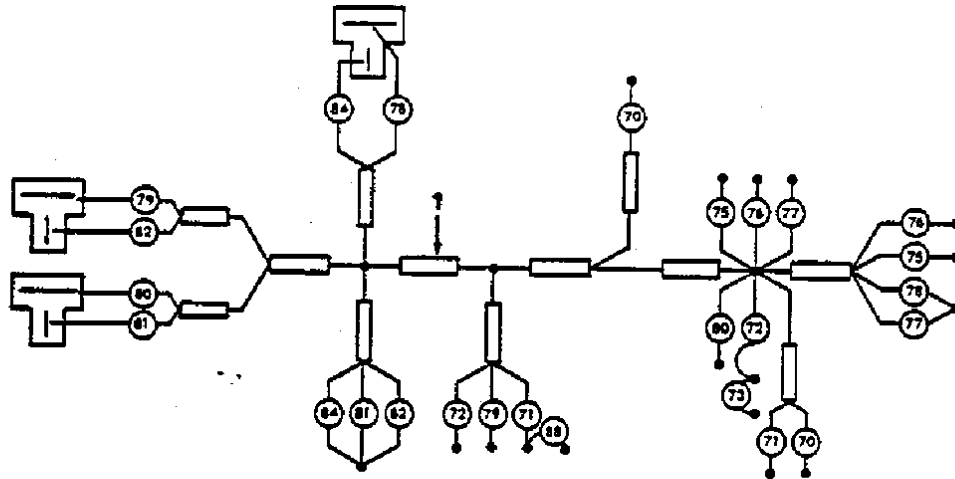


FIG. 5 - WIRE HARNESS, SRS*

00504

KEY	TENNANT® PART NO.	MACHINE SERIAL NUMBER	DESCRIPTION	QTY.
†	64859	(-)	WIRE HARNESS, Main	1

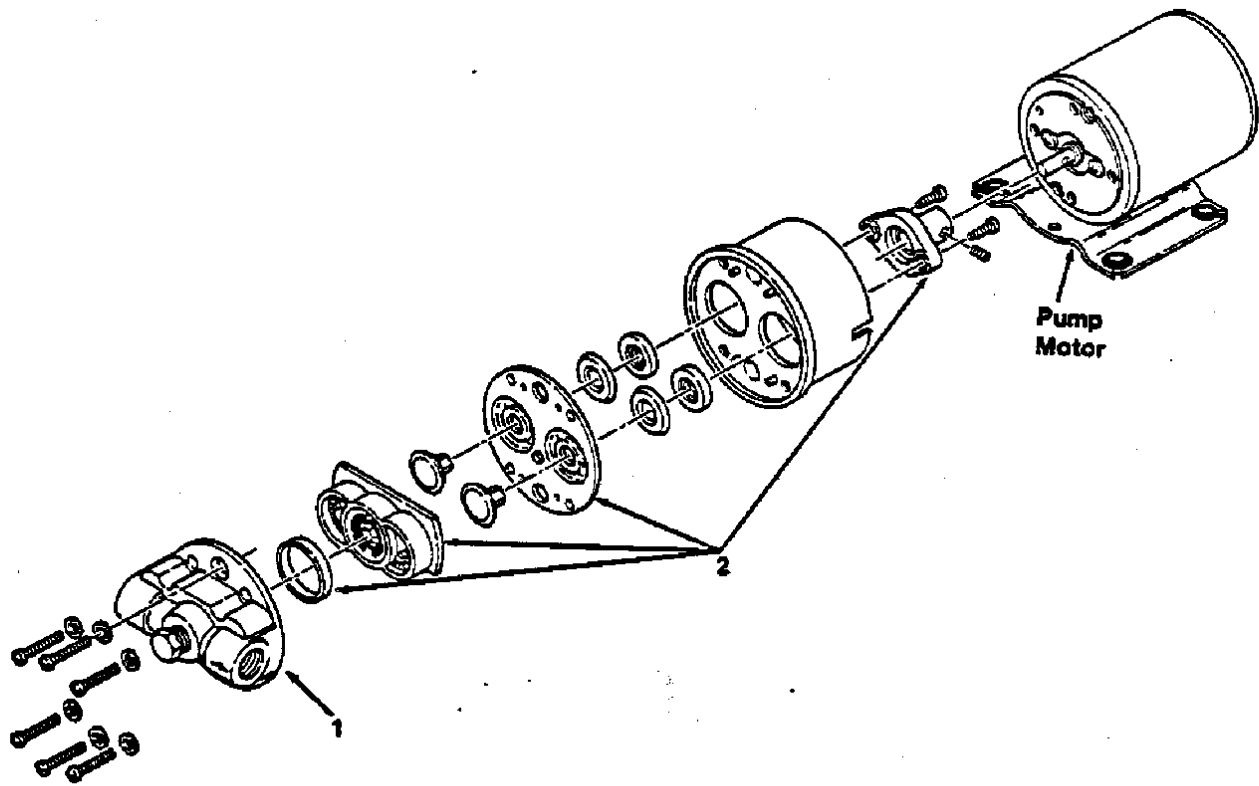


FIG. 8 - SOLUTION PUMP BREAKDOWN

00361

KEY	TENNANT® PART NO.	MACHINE SERIAL NUMBER	DESCRIPTION	QTY.
	79325A-1	(0000000000-0000002049)	PUMP, Solution	1
1	83925	(-)	HOUSING, Pump	1
2	19960	(-)	REPAIR KIT, Pump	1

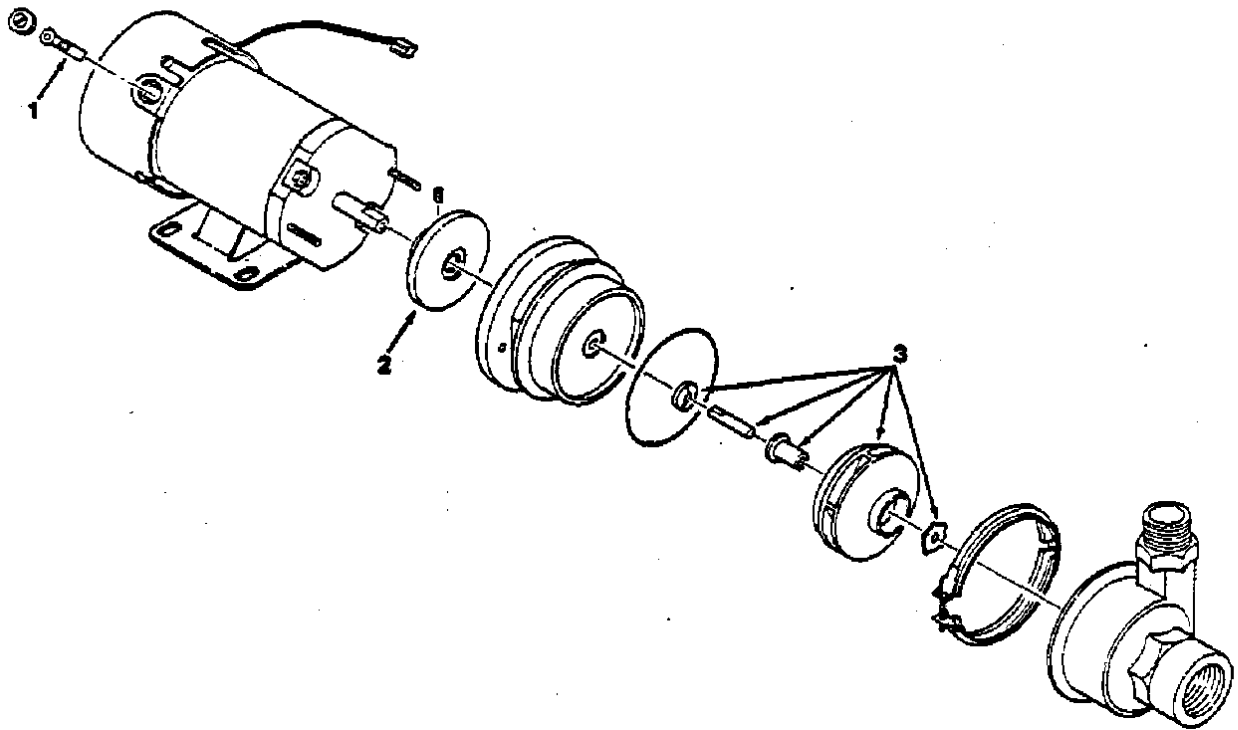


FIG. 7 - SOLUTION PUMP BREAKDOWN

02123

KEY	TENNANT® PART NO.	MACHINE SERIAL NUMBER	DESCRIPTION	QTY.
	79614	(0000002050-) PUMP, Solution	1
1	SK2498	(-) REPLACEMENT KIT, Brush	1
2	SK2500	(-) HUB AND MAGNET KIT	1
3	SK2499	(-) IMPELLER SHAFT AND BEARING KIT	1

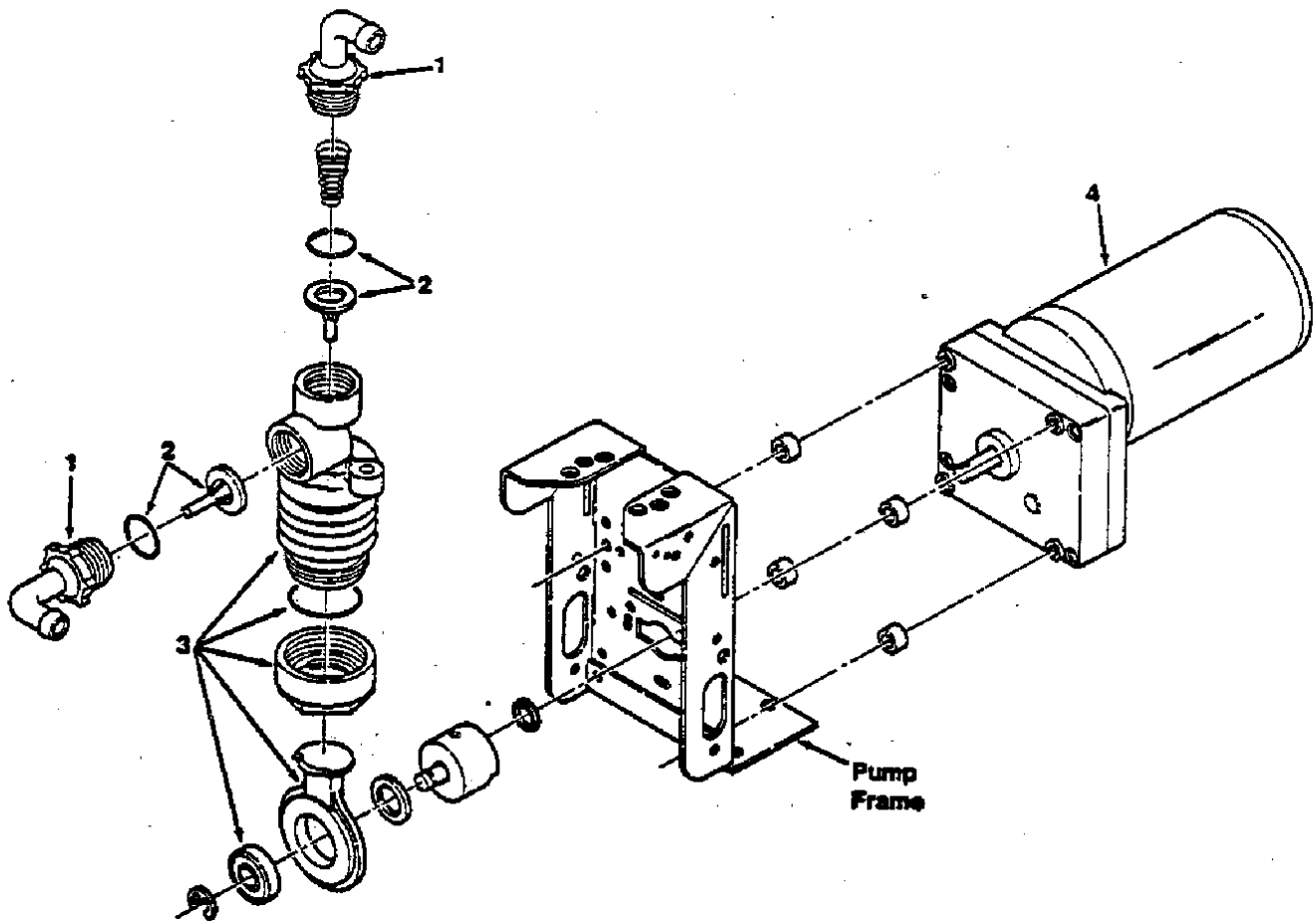


FIG. 8 - CLEANING SOLUTION PUMP BREAKDOWN

00112

KEY	TENNANT® PART NO.	MACHINE SERIAL NUMBER	DESCRIPTION	QTY.
	16485	(-)	PUMP, Cleaning solution metering	1
1	63923	(-)	CONNECTOR KIT, Tubing	1
2	63922	(-)	VALVE KIT, Pump	1
3	63921	(-)	REPLACEMENT KIT, Bellows	1
4	63924	(-)	MOTOR, Gear	1

SECTION 11 ACCESSORIES

CONTENTS

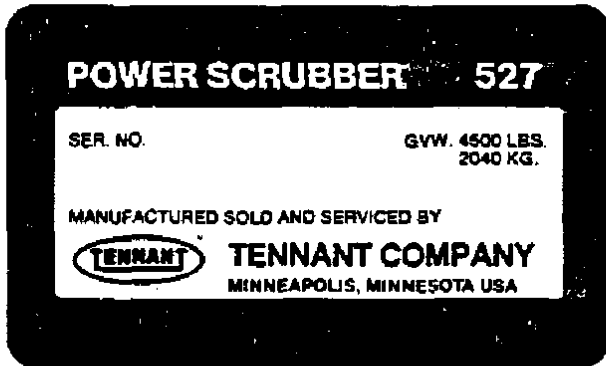
	Page
Ordering Repair Parts.....	11-1
Fig. 1 - Head and Taillight Kit.....	11-2
Fig. 2 - Revolving Light Kit, Overhead Guard.....	11-4
Fig. 3 - Revolving Light Kit.....	11-5
Fig. 4 - Flashing Light Kit, Overhead Guard.....	11-6
Fig. 5 - Flashing Light Kit.....	11-7
Fig. 6 - Squeegee Wand Kit.....	11-8
Fig. 7 - Fuel Gauge Kit.....	11-9
Fig. 8 - Drain Kit, Solution Tank.....	11-10
Fig. 9 - Vent Plug Kit, SRS.....	11-10
Fig. 10 - Fire Extinguisher Kit.....	11-11
Fig. 11 - Protectoseal Fuel Tank Cap.....	11-11
Fig. 12 - Seat Belt Kit.....	11-12
Fig. 13 - Demo Kit.....	11-12

NOTE: Section 11, Accessories, lists repair parts included as part of the available accessories.

ORDERING REPAIR PARTS

To avoid errors or delays in filling parts orders, please furnish all of the following information.

1. Always specify the machine model number and the machine serial number shown on the machine data plate.



2. Give the part number, description, and the quantity needed of each item on the order. Do not order by reference number or the figure number of the illustrated parts.
3. Indented items indicate parts of assemblies. Standard hardware is furnished only when part of a purchased assembly. Please order hardware from a local hardware supplier.
4. If the old part cannot be identified, send it to us with the quantity needed specified on the order.
5. State definite shipping instructions to include the shipping address and/or the billing address if there is a difference. Any claim for loss or damage to a shipment in transit should be filed promptly against the transportation company making the delivery. Shipments will be complete unless the packing list or order acknowledgement indicate items back ordered.

If parts received are suspected to be incorrect or defective, please write, wire, or phone the Tennant Company representative from whom you ordered the part. They will give authorization for return and/or handle replacement shipments when required.

SI (INTERNATIONAL SYSTEM) UNITS OF MEASURE

Metric equivalents have been included, where applicable, throughout this parts catalog.

BOLT AND CAP SCREW STRENGTH IDENTIFICATION

Bolts and cap screws required to have high-strength qualities equivalent to SAE Grade 8 are identified throughout this catalog by the description GR 8. Unless identified by this description, all standard bolts and cap screws are SAE Grade 5.

SERIAL NUMBER INFORMATION EXPLANATION

Serial number information is listed parenthetically to show on which machines each part can be used. These listings are explained by the following examples:

() The part can be used on all machines.

(0000001234-) The part can be used on all machines beginning with the serial number listed.

(0000000000-0000001234) The part can be used on all machines up to and including serial number listed.

(0000001234-0000005678) The part can be used on all machines between and including the serial numbers listed.

Where XXXXX's are listed in place of a serial number, it indicates a serial number change was made but the exact serial number had not been established when the catalog went to press.

(Specifications and design subject to change without notice.)

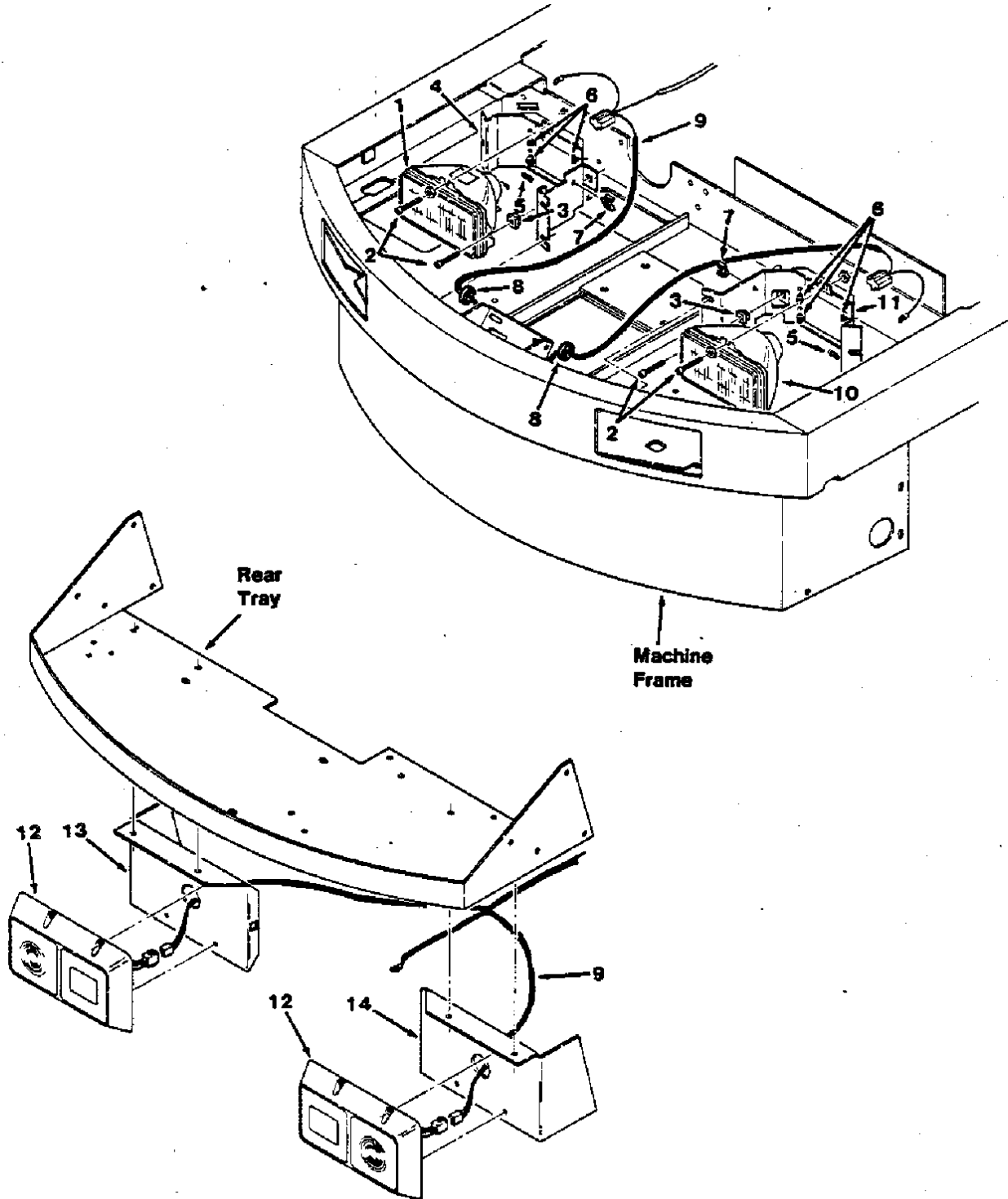


FIG. 1 - HEAD AND TAILLIGHT KIT

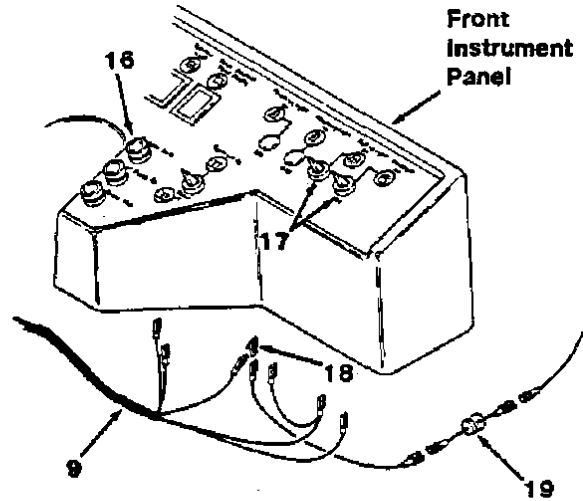
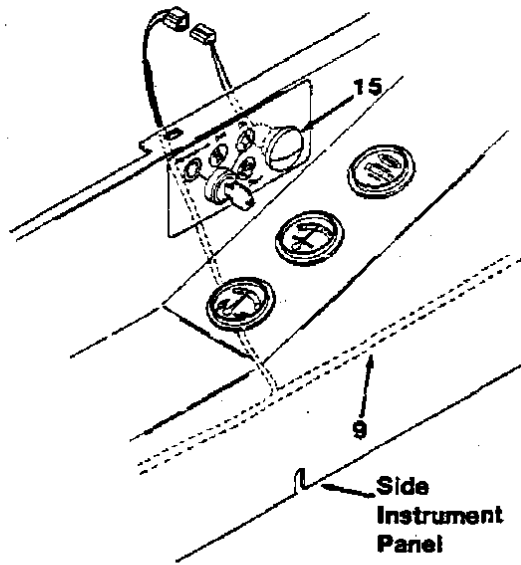


FIG. 1 - HEAD AND TAILLIGHT KIT

00527

KEY	TENNANT® PART NO.	MACHINE SERIAL NUMBER	DESCRIPTION	QTY.
	64800	(-)	HEAD AND TAILLIGHT KIT	1
1	64080	(-)	HEADLIGHT ASSEMBLY	1
	69588	(-)	HEADLIGHT	1
2	64758	(-)	SCREW, Adjusting	4
3	64759	(-)	NUT, Adjusting	2
4	16344	(-)	BRACKET, R.H.	1
5	43672	(-)	SPRING	2
6	51787	(-)	BUMPER, Rubber	6
7	69599	(-)	RETAINER, Harness	2
8	10632-14	(-)	GROMMET	2
9	64855	(-)	WIRE HARNESS, Includes wires: 26, 27, 28, 29, 30, 31, 32, 33, 44, 60, 63, 64, 65, 66, 67, 68, 69, 90	1
10	64070	(-)	HEADLIGHT ASSEMBLY	1
	69588	(-)	HEADLIGHT	1
11	64840	(-)	BRACKET, L.H.	1
12	64832	(-)	TAILLIGHT ASSEMBLY	2
	45779	(-)	BULB, Backup light	1
	45780	(-)	BULB, Taillight	1
13	64105	(-)	BRACKET, Taillight, L.H.	1
14	64105-1	(-)	BRACKET, Taillight, R.H.	1
15	64948	(-)	LIGHT ASSEMBLY, Panel	1
	24427	(-)	BULB	1
16	45104	(-)	HOLDER, Fuse	1
	14215	(-)	FUSE, 20 A	1
17	63266	(-)	SWITCH	2
18	27184	(-)	TERMINAL, 2 Tab	1
19	69587	(-)	DIODE ASSEMBLY	1
	49266	(-)	TIE, Cable, '6.75" (171 mm)	4

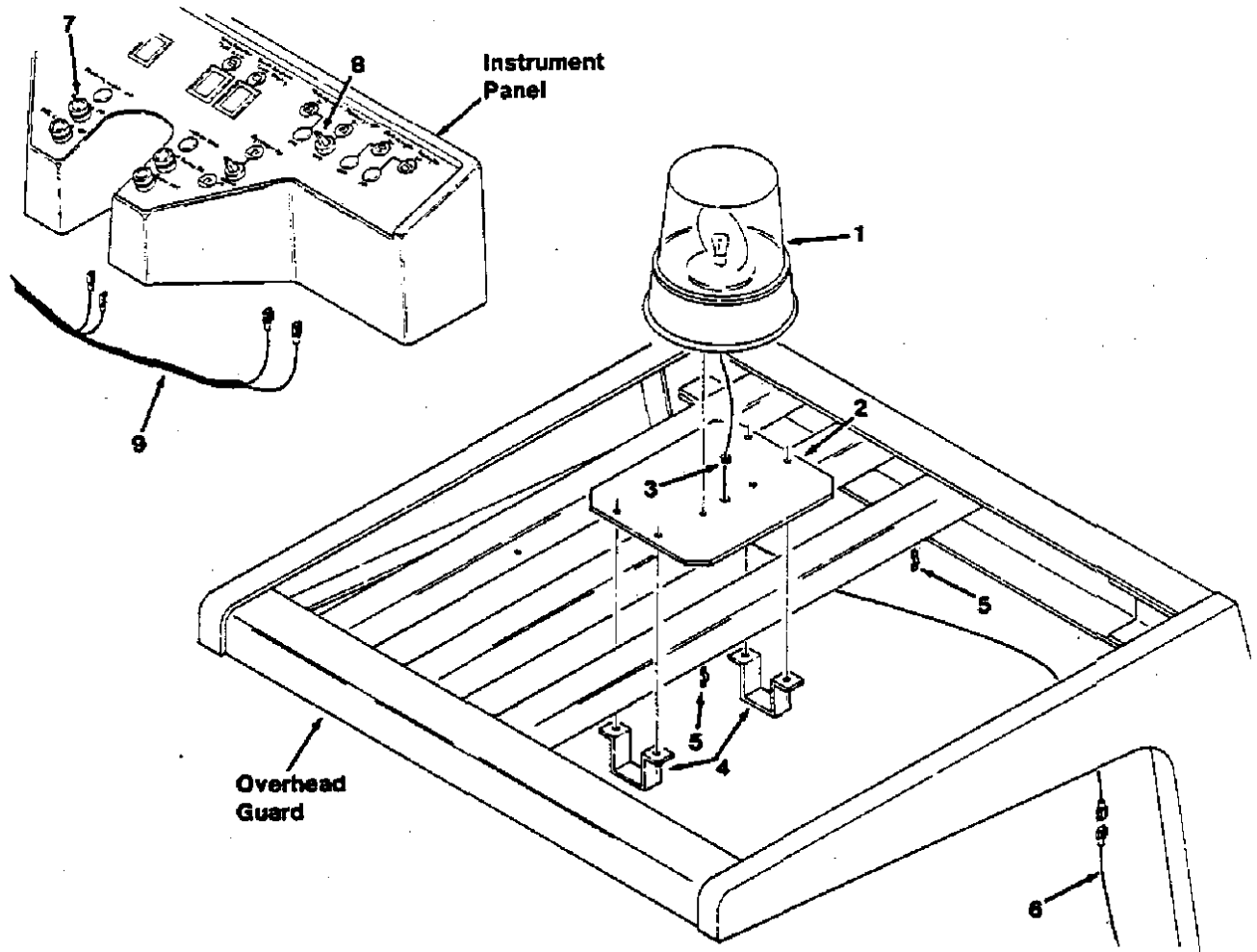


FIG. 2 - REVOLVING LIGHT KIT, OVERHEAD GUARD

00528

KEY	TENNANT® PART NO.	MACHINE SERIAL NUMBER	DESCRIPTION	QTY.
	69605	(-)	REVOLVING LIGHT KIT, Overhead guard	1
1	69626	(-)	LIGHT, Revolving, red	1
	46928-1	(-)	LENS, Light, red	1
	45670	(-)	BULB	1
2	69602	(-)	PLATE, Mounting	1
3	10632-9	(-)	GROMMET	1
4	69600	(-)	BRACKET, Mounting	2
5	49262	(-)	CLAMP, Conduit	6
6	69666	(-)	WIRE, 39	1
7	45104	(-)	HOLDER, Fuse	1
	45595	(-)	FUSE, 10 A	1
8	63266	(-)	SWITCH	1
9	64857	(-)	WIRE HARNESS, Includes wires: 35, 39, 46	1
	47239	(-)	LIGHT, Revolving, amber	1
	46928-3	(-)	LENS, Light, amber	1
	47273	(-)	LIGHT, Revolving, blue	1
	46928-2	(-)	LENS, Light, blue	1

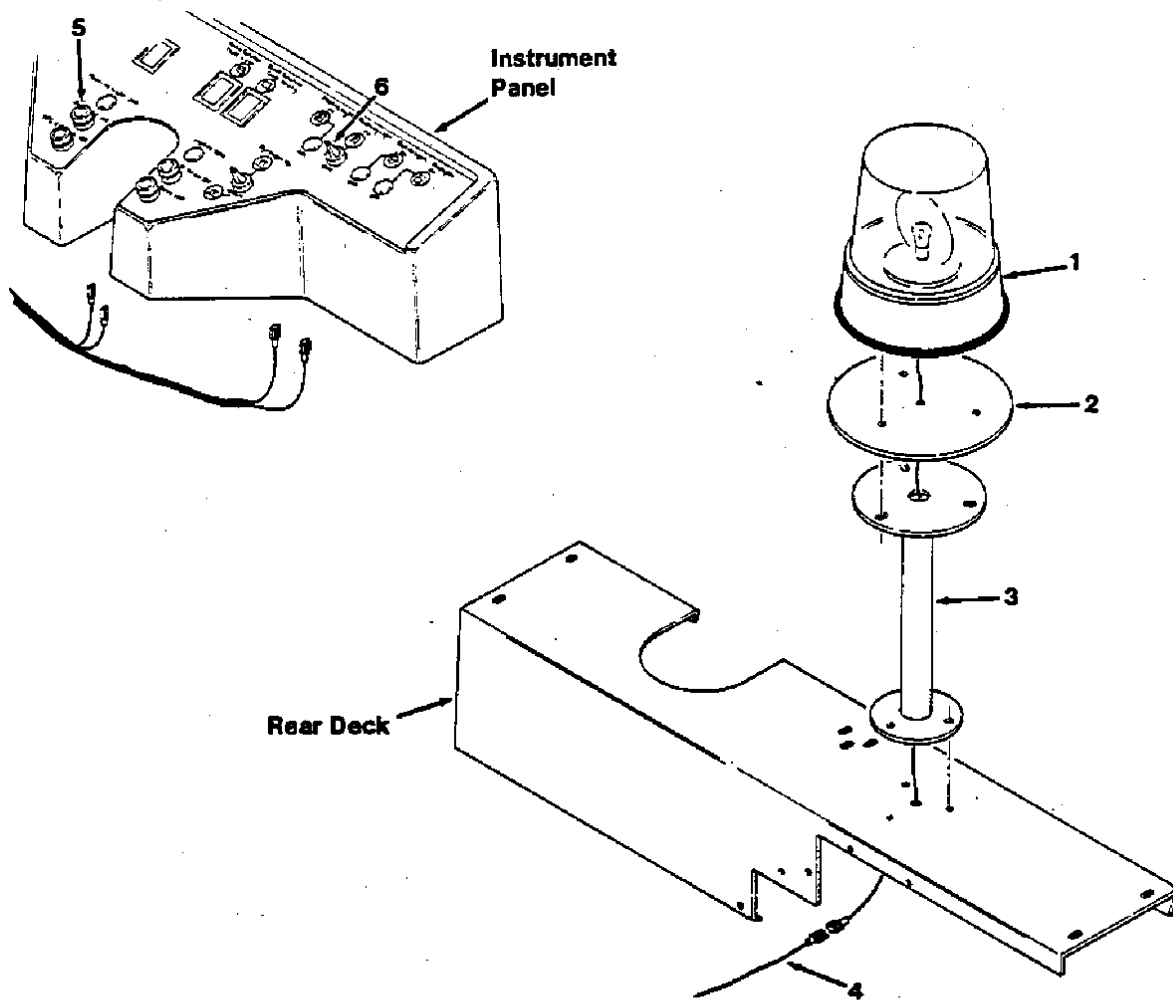


FIG. 3 - REVOLVING LIGHT KIT

00531

KEY	TENNANT® PART NO.	MACHINE SERIAL NUMBER	DESCRIPTION	QTY.
1	69606	(-)	REVOLVING LIGHT KIT	1
	69626	(-)	LIGHT, Revolving, red	1
	46928-1	(-)	LENS, Light, red	1
2	45670	(-)	BULB	1
	46930	(-)	PLATE, Adapter	1
3	53174	(-)	SUPPORT, Light	1
4	64857	(-)	WIRE HARNESS, Includes wires: 35, 39, 46	1
5	45104	(-)	HOLDER, Fuse	1
	45595	(-)	FUSE, 10 A	1
6	C3266	(-)	SWITCH	1
	49266	(-)	TIE, Cable, 6.75" (171 mm)	1
	47273	(-)	LIGHT, Revolving, blue	1
	46928-2	(-)	LENS, Light, blue	1
	47239	(-)	LIGHT, Revolving, amber	1
	46928-3	(-)	LENS, Light, amber	1

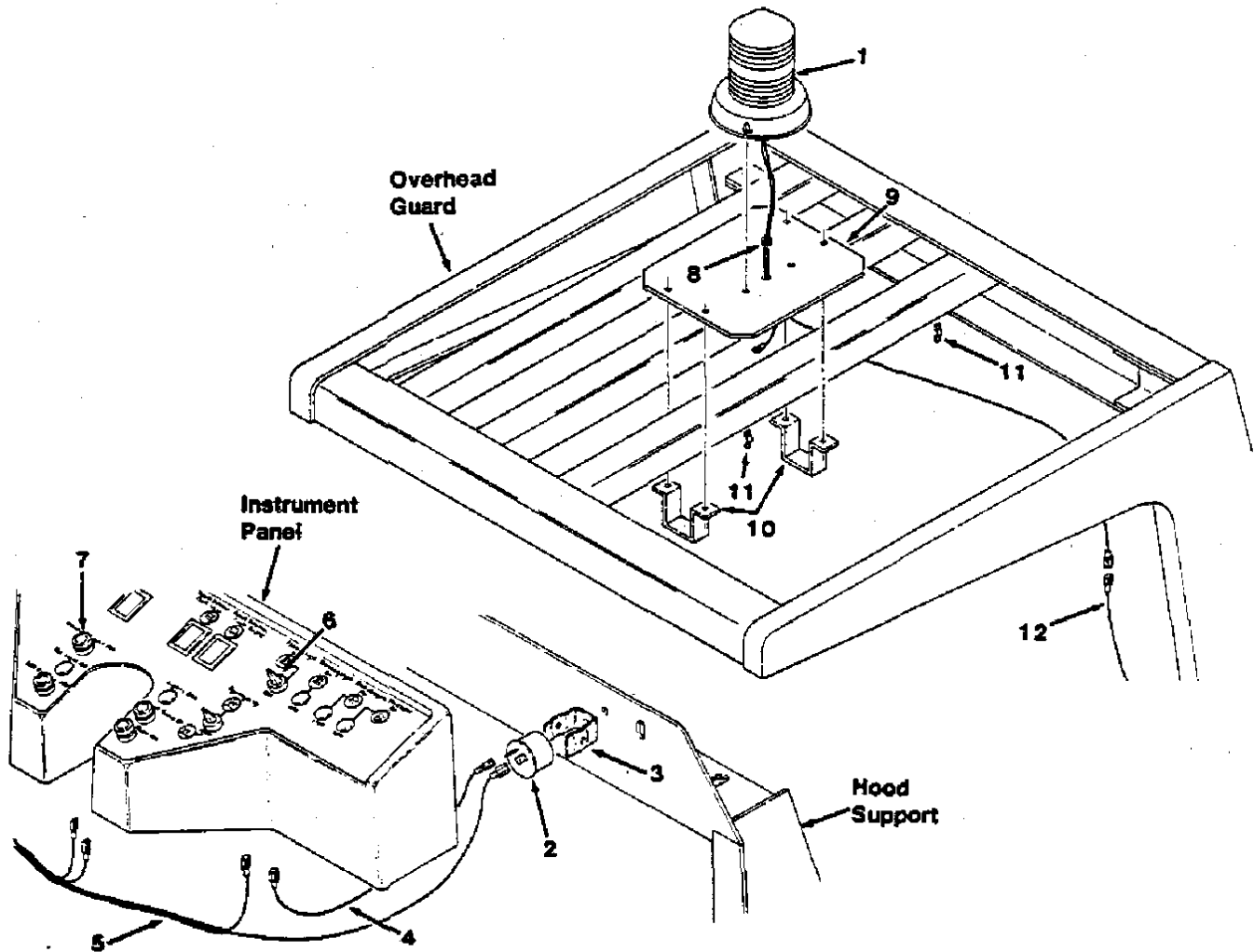


FIG. 4 - FLASHING LIGHT KIT, OVERHEAD GUARD

00528

KEY	TENNANT® PART NO.	MACHINE SERIAL NUMBER	DESCRIPTION	QTY.
1	69603	(-)	FLASHING LIGHT KIT, Overhead guard	1
	69625	(-)	LIGHT, Flashing, red	1
	47535-1	(-)	LENS, Light, red	1
	22640	(-)	BULB	1
2	24576	(-)	FLASHER	1
	24576-1	(-)	BRACKET, Flasher	1
4	64856	(-)	WIRE, 36	1
5	64857	(-)	WIRE HARNESS, Includes wires: 35, 39, 46	1
6	63266	(-)	SWITCH	1
7	45104	(-)	HOLDER, Fuse	1
	45595	(-)	FUSE, 10 A	1
8	10632-9	(-)	GROMMET	1
9	69602	(-)	PLATE, Mounting	1
10	69600	(-)	BRACKET, Mounting	2
11	49262	(-)	CLAMP, Conduit	6
12	69666	(-)	WIRE, 39	1
	47536	(-)	LIGHT, Flashing, amber	1
	47536-1	(-)	LENS, Light, amber	1
	47537	(-)	LIGHT, Flashing, blue	1
	47537-1	(-)	LENS, Light, blue	1

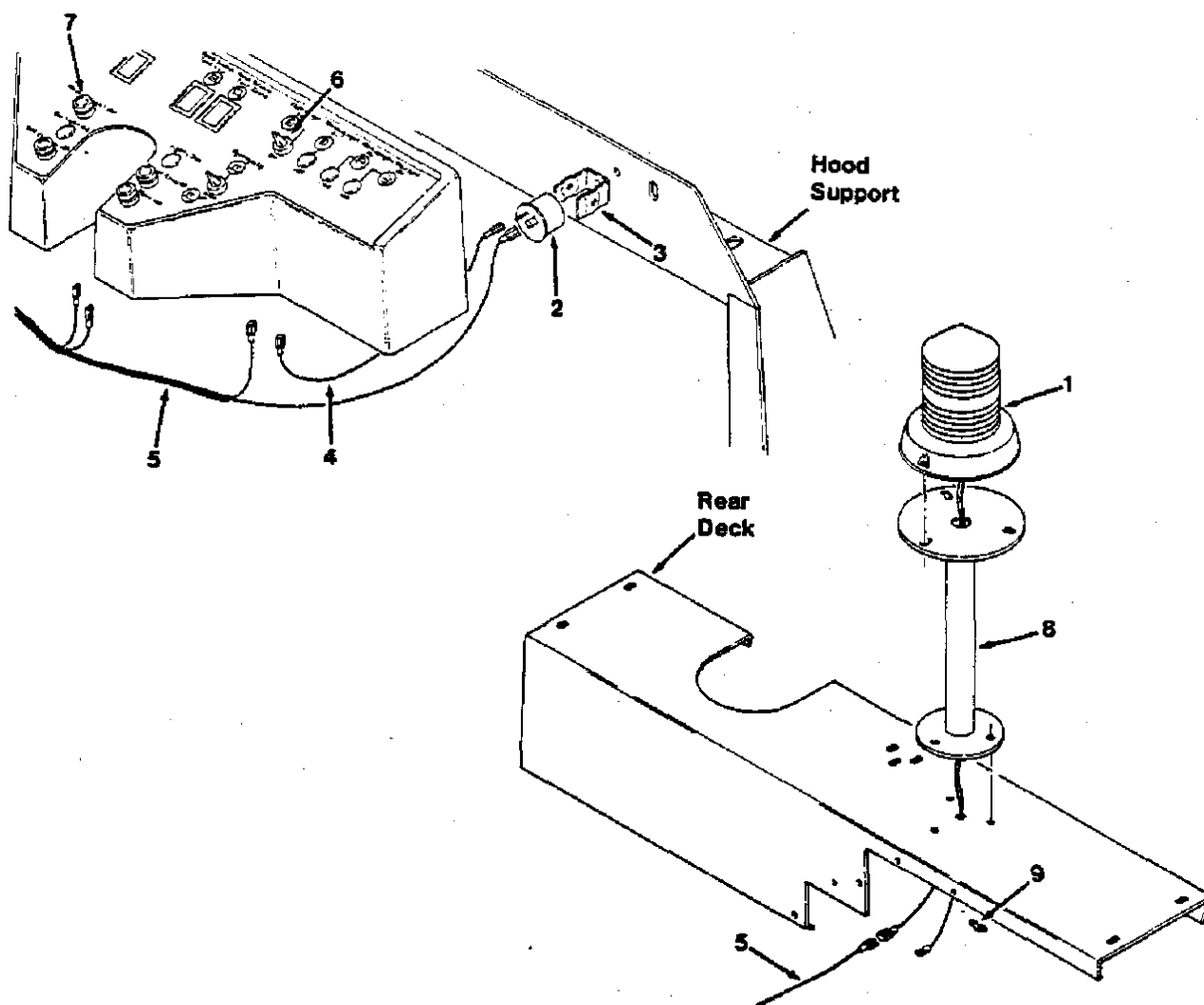


FIG. 5 - FLASHING LIGHT KIT

00529

KEY	TENNANT® PART NO.	MACHINE SERIAL NUMBER	DESCRIPTION	QTY.
1	69604	(-)	FLASHING LIGHT KIT	1
	69625	(-)	LIGHT, Flashing	1
	47535-1	(-)	LENS, Light, red	1
	22640	(-)	BULB	1
2	24576	(-)	FLASHER	1
	24576-1	(-)	BRACKET, Flasher	1
4	64856	(-)	WIRE, 36	1
5	64857	(-)	WIRE HARNESS, Includes wires: 35, 39, 46	1
6	63266	(-)	SWITCH	1
7	45104	(-)	HOLDER, Fuse	1
	45595	(-)	FUSE, 10 A	1
8	53174	(-)	SUPPORT, Light	1
	49262	(-)	CLAMP, Conduit	3
9	49266	(-)	TIE, Cable, 6.75" (171 mm)	1
	47536	(-)	LIGHT, Flashing, amber	1
	47536-1	(-)	LENS, Light, amber	1
	47537	(-)	LIGHT, Flashing, blue	1
	47537-1	(-)	LENS, Light, blue	1

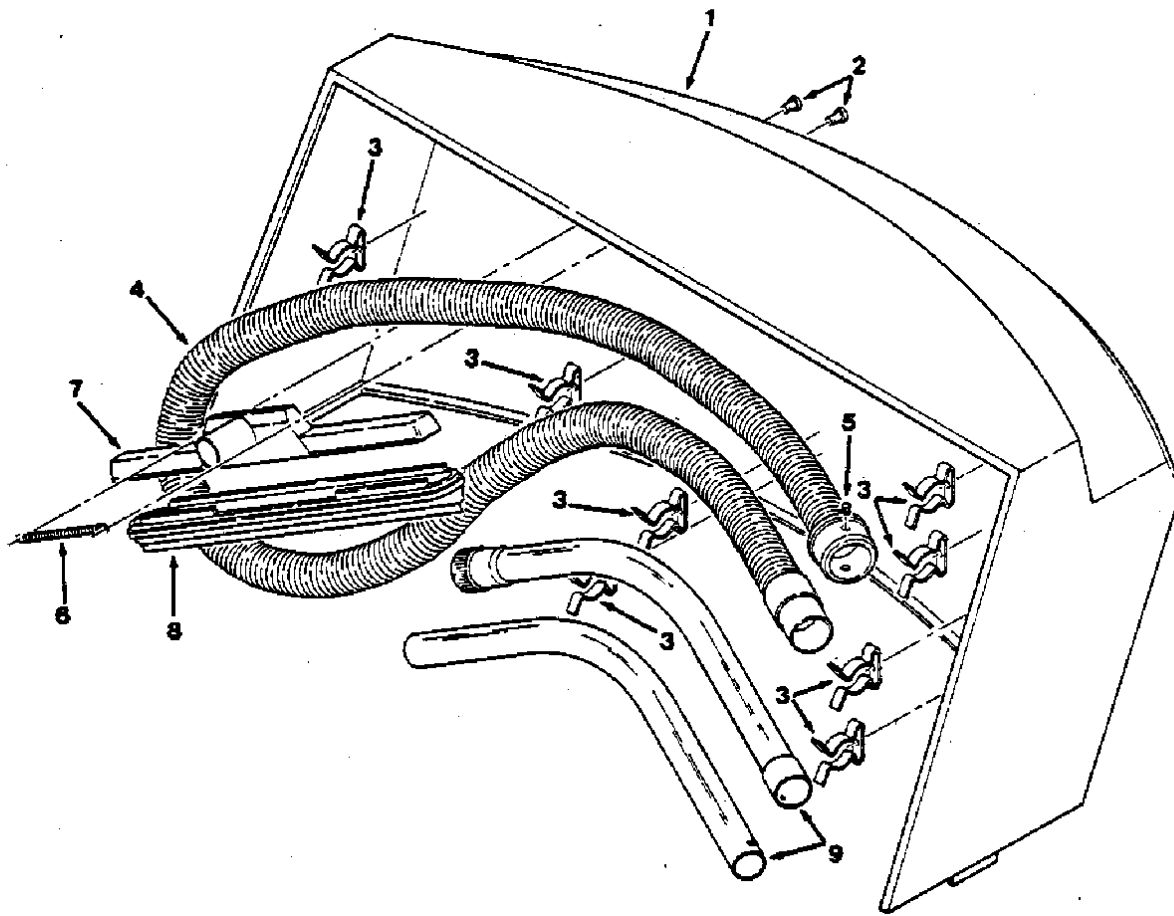


FIG. 8 - SQUEEGEE WAND KIT

00524

KEY	TENNANT® PART NO.	MACHINE SERIAL NUMBER	DESCRIPTION	QTY.
	69660	(-)	SQUEEGEE WAND KIT	1
1	64404	(-)	SHROUD, Rear, gasoline	1
1	64630	(-)	SHROUD, Rear, LPG	1
2	52237	(-)	PIN, Clevis	2
3	22473	(-)	CLIP, Hose	8
4	69657	(-)	HOSE ASSEMBLY	1
5	69659	(-)	SPRING, Hose	1
6	63381	(-)	SPRING	1
7	63451	(-)	NOZZLE, Wand	1
8	63430	(-)	SHOE, Squeegee	1
9	63448	(-)	WAND	1

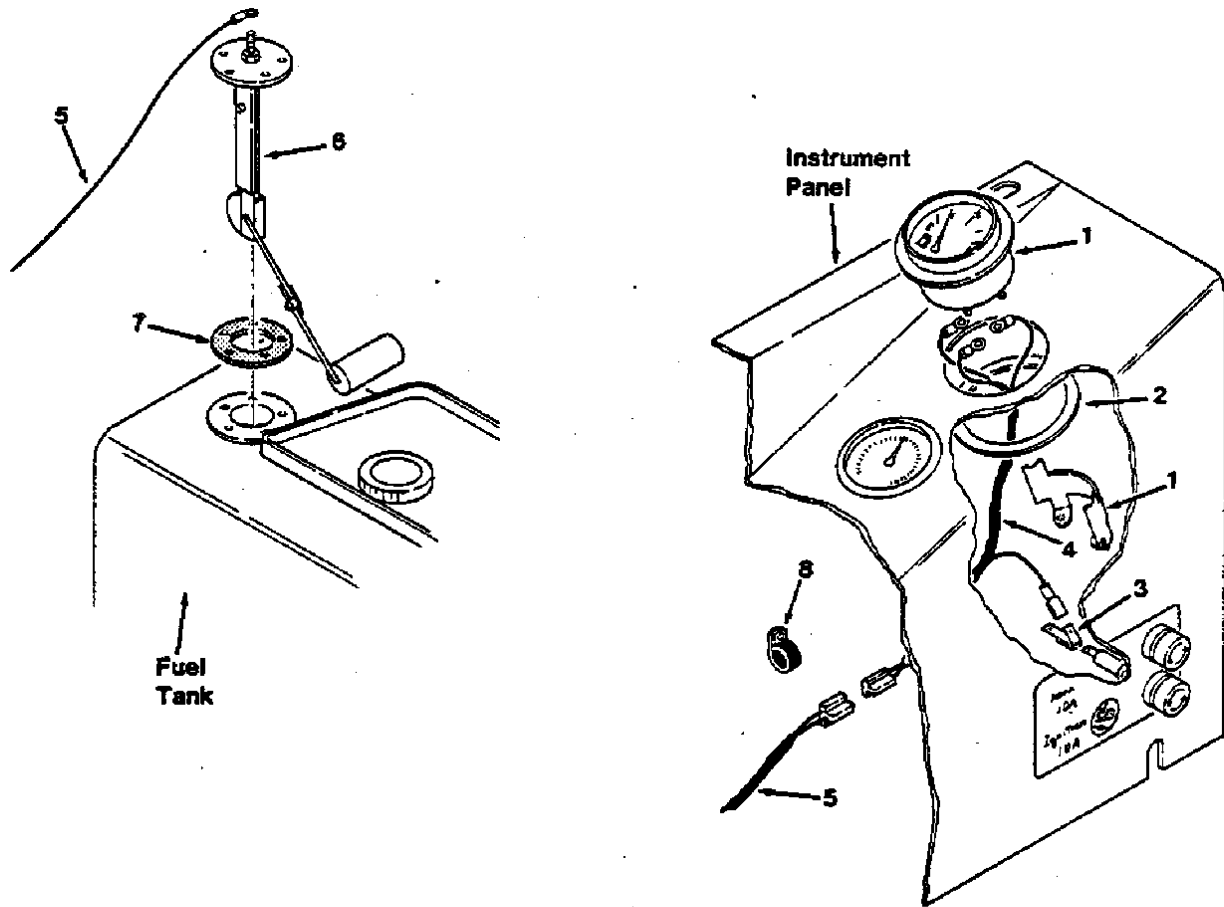


FIG. 7 - FUEL GAUGE KIT

00530

KEY	TENNANT® PART NO.	MACHINE SERIAL NUMBER	DESCRIPTION	QTY.
	69616	(-)	FUEL GAUGE KIT	1
1	47472	(-)	GAUGE, Fuel level	1
2	69270	(-)	SPACER, Fuel gauge	1
3	27184	(-)	TERMINAL, 2 Tab	1
4	69618	(-)	WIRE HARNESS, Includes wires: 54, 55, 56	1
5	69617	(-)	WIRE HARNESS, Includes wires: 55, 56	1
6	47473	(-)	SENDING UNIT, Gas tank	1
7	14131	(-)	GASKET	1
8	46236	(-)	CLAMP	1

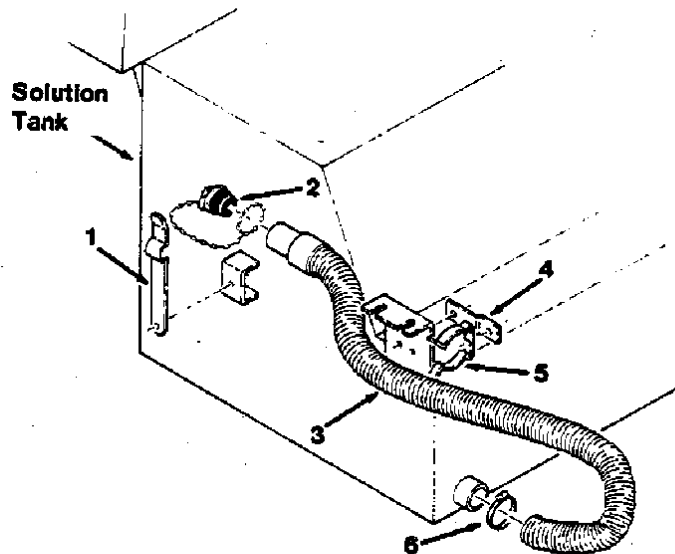


FIG. 8 - DRAIN KIT, SOLUTION TANK

00522

KEY	TENNANT® PART NO.	MACHINE SERIAL NUMBER	DESCRIPTION	QTY.
	69443	(-)	DRAIN KIT, Solution tank	1
1	64814	(-)	RETAINER, Drain hose	1
2	56505	(-)	PLUG, Expandable	1
3	69207	(-)	HOSE, Drain	1
4	69612	(-)	BRACKET, Clip mounting	1
5	22473	(-)	CLIP, Hose	1
6	11531	(-)	CLAMP, Worm drive	1

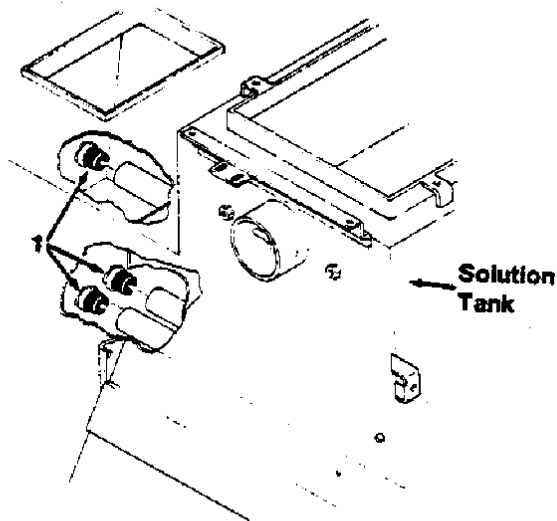


FIG. 9 - VENT PLUG KIT, SRS

00521

KEY	TENNANT® PART NO.	MACHINE SERIAL NUMBER	DESCRIPTION	QTY.
	69539	(-)	VENT PLUG KIT	1
1	25460	(-)	PLUG, Expandable	3

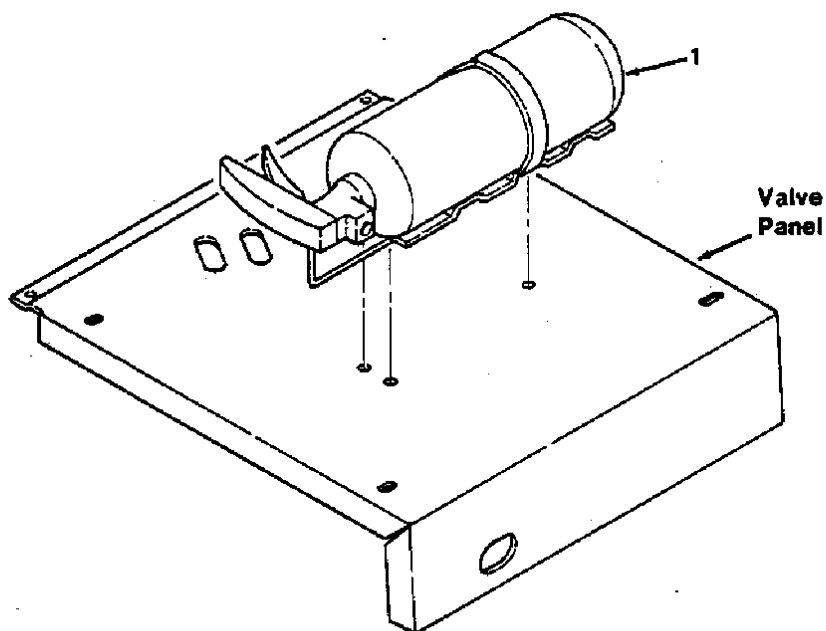


FIG. 10 - FIRE EXTINGUISHER KIT

00532

KEY	TENNANT® PART NO.	MACHINE SERIAL NUMBER	DESCRIPTION	QTY.
1	69772	(-)	FIRE EXTINGUISHER KIT	1
	25312	(-)	EXTINGUISHER, Fire	1

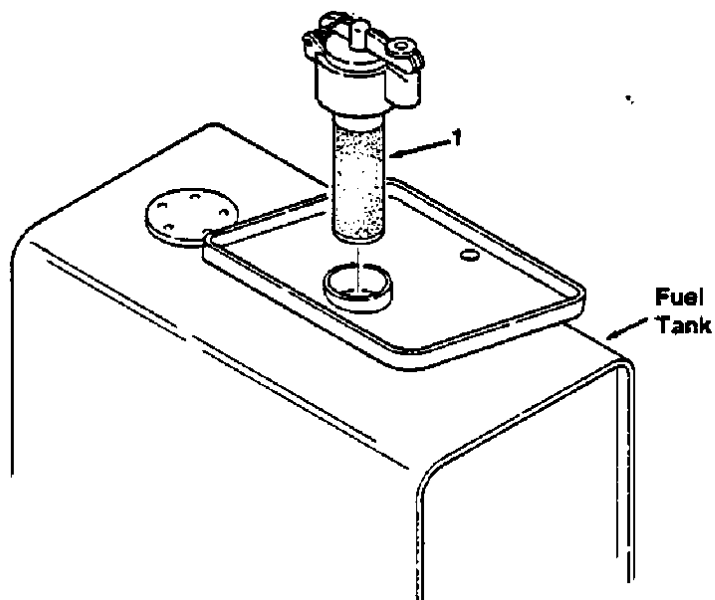


FIG. 11 - PROTECTOSEAL FUEL TANK CAP

00960

KEY	TENNANT® PART NO.	MACHINE SERIAL NUMBER	DESCRIPTION	QTY.
1	02506-6	(-)	CAP, Tank, fuel, Protectoseal	1

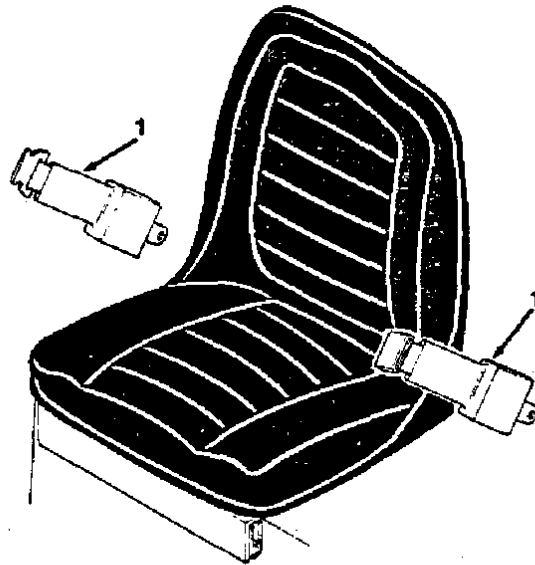


FIG. 12 - SEAT BELT KIT

00523

KEY	TENNANT® PART NO.	MACHINE SERIAL NUMBER	DESCRIPTION	QTY.
1	69770	(-)	SEAT BELT KIT	1
	68346	(-)	BELT, Seat	1

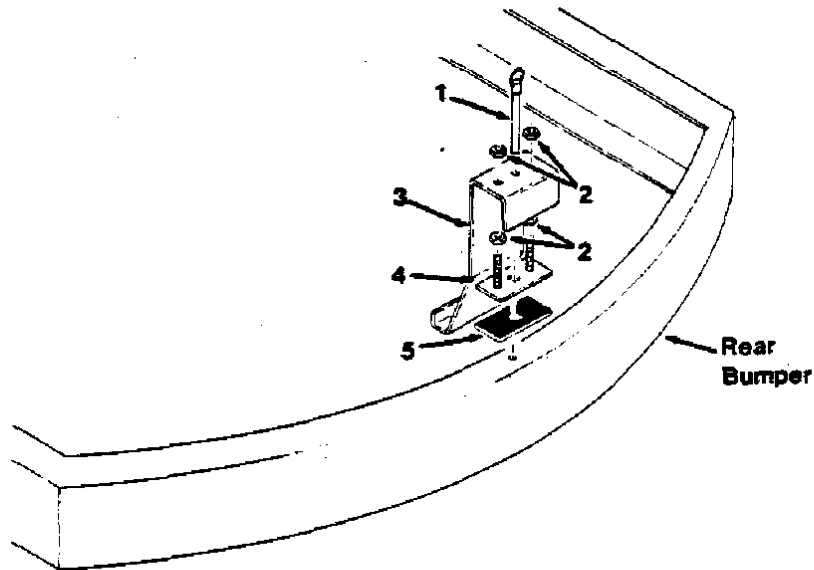


FIG. 13 - DEMO KIT

00525

KEY	TENNANT® PART NO.	MACHINE SERIAL NUMBER	DESCRIPTION	QTY.
	64861	(-)	DEMO KIT	1
1	63174	(-)	PIN, Pivot	1
2	27980	(-)	NUT	4
3	64862	(-)	BRACKET, Scrub head support	1
4	64863	(-)	MOUNT, Support bracket	1
5	64865	(-)	STRIP, Rubber	1

SECTION 12

HYDRAULIC COMPONENTS

CONTENTS

	Page
Ordering Repair Parts.....	12-1
Fig. 1 - Hydraulic Propelling Pump Breakdown.....	3-2
Fig. 2 - Hydraulic Propelling Pump Breakdown, Diesel.....	12-4
Fig. 3 - Hydraulic Accessories Pump Breakdown.....	12-6
Fig. 4 - Hydraulic Drive Motor Breakdown	12-7
Fig. 5 - Scrub Brush Motor Breakdown	12-8

NOTE: Section 12, Hydraulic Components, lists the repair parts for each of the repairable hydraulic components.

Home

Find...

Go To..



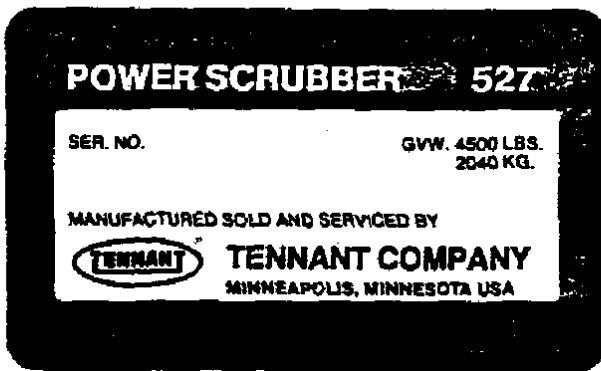
ORDERING REPAIR PARTS

The components used in this machine have been carefully selected for performance and safety. Use only Tennant Company supplied or equivalent parts.

To receive prompt service in filling your parts orders, please direct all parts orders with Tennant Company part numbers to the Tennant Company, and all parts orders with vendor part numbers to the local supplier of the respective vendor.

To avoid errors or delays in filling your parts orders, please furnish all of the following information.

1. Refer to Tennant Company data plate. Always specify the machine model number and the machine serial number shown on the machine data plate.



2. Refer to the vendor part data plate. Always specify the model number and serial number shown on the data plate.
3. Give the part number, description, and the quantity needed of each item on the order. Do not order by reference number or the figure number of the illustrated parts.
4. Indented items indicate parts of assemblies. Standard hardware is furnished only when part of a purchased assembly. Please order hardware from a local hardware supplier.
5. If the old part cannot be identified, send it to us with the quantity needed specified on the order.
6. State definite shipping instructions to include the shipping address and/or the billing address if there is a difference. Any claim for loss or damage to a shipment in transit should be filed promptly against the transportation company making the delivery. Shipments will be complete unless the packing list or order acknowledgement indicate items back ordered.

If parts received are suspected to be incorrect or defective, please write, wire, or phone the parts supplier from whom you ordered the part. They will give authorization for return and/or handle replacement shipments when required.

SI (INTERNATIONAL SYSTEM) UNITS OF MEASURE

Metric equivalents have been included, where applicable, throughout this parts catalog.

BOLT AND CAP SCREW STRENGTH IDENTIFICATION

Bolts and cap screws required to have high-strength qualities equivalent to SAE Grade 8 are identified throughout this catalog by the description GR 8. Unless identified by this description, all standard bolts and cap screws are SAE Grade 5.

SERIAL NUMBER INFORMATION EXPLANATION

Serial number information is listed parenthetically to show on which machines each part can be used. These listings are explained by the following examples:

() The part can be used on all machines.

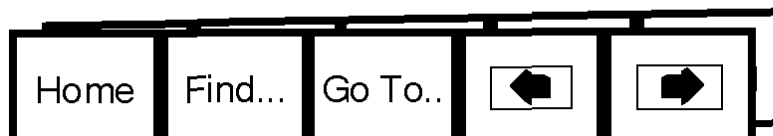
(0000001234-) The part can be used on all machines beginning with the serial number listed.

(0000000000-0000001234) The part can be used on all machines up to and including serial number listed.

(0000001234-0000005678) The part can be used on all machines between and including the serial numbers listed.

Where XXXXX's are listed in place of a serial number, it indicates a serial number change was made but the exact serial number had not been established when the catalog went to press.

(Specifications and design subject to change without notice.)



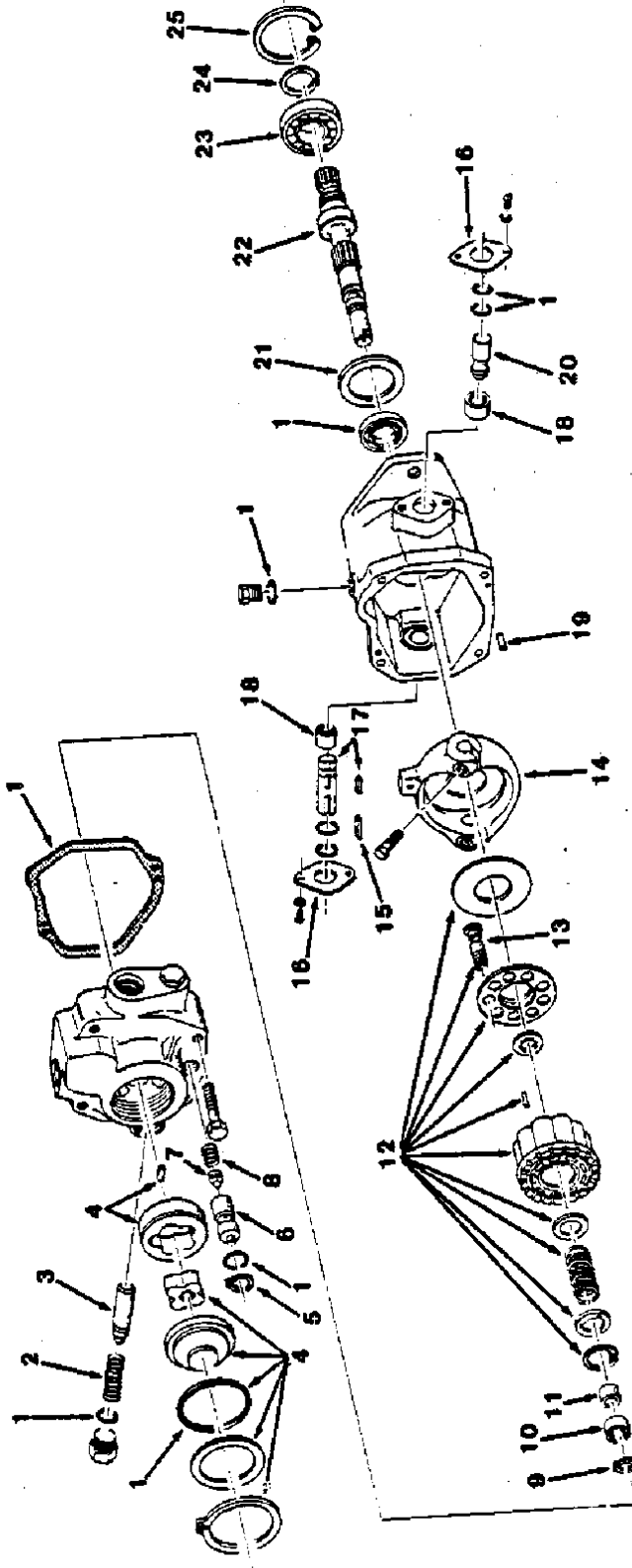


FIG. 1 - HYDRAULIC PROPELLING PUMP BREAKDOWN

FIG. 1 - HYDRAULIC PROPELLING PUMP BREAKDOWN

KEY	VICKERS PART NO.	MACHINE SERIAL NUMBER	DESCRIPTION	QTY.
	*64056	(-)	PUMP, Hydraulic	1
1	*SK1351	(-)	SEAL KIT	1
2	318197	(-)	SPRING	2
3	318399	(-)	VALVE, Replenishing	2
4	923379	(-)	GEROTOR KIT	1
5	092757	(-)	RING, Retaining	1
6	318427	(-)	SLEEVE	1
7	319639	(-)	POPPET	1
8	320351	(-)	SPRING	1
9	322901	(-)	RING, Retaining	1
10	214118	(-)	BEARING	1
11	292500	(-)	SLEEVE	1
12	923062	(-)	ROTATING GROUP KIT	1
13	*37552	(-)	PISTON KIT	1
14	325689	(-)	YOKE	1
15	009966	(-)	KEY	1
16	*37556	(-)	PLATE	2
17	942425	(-)	PINTLE KIT, Long	1
18	012016	(-)	BEARING	2
19	167237	(-)	PIN	2
20	392290	(-)	PINTLE, Short	1
21	274382	(-)	RETAINER	1
22	311819	(-)	SHAFT	1
23	326805	(-)	BEARING	1
24	119982	(-)	RING, Retaining	1
25	120428	(-)	RING, Retaining	1

*TENNANT® Part Number



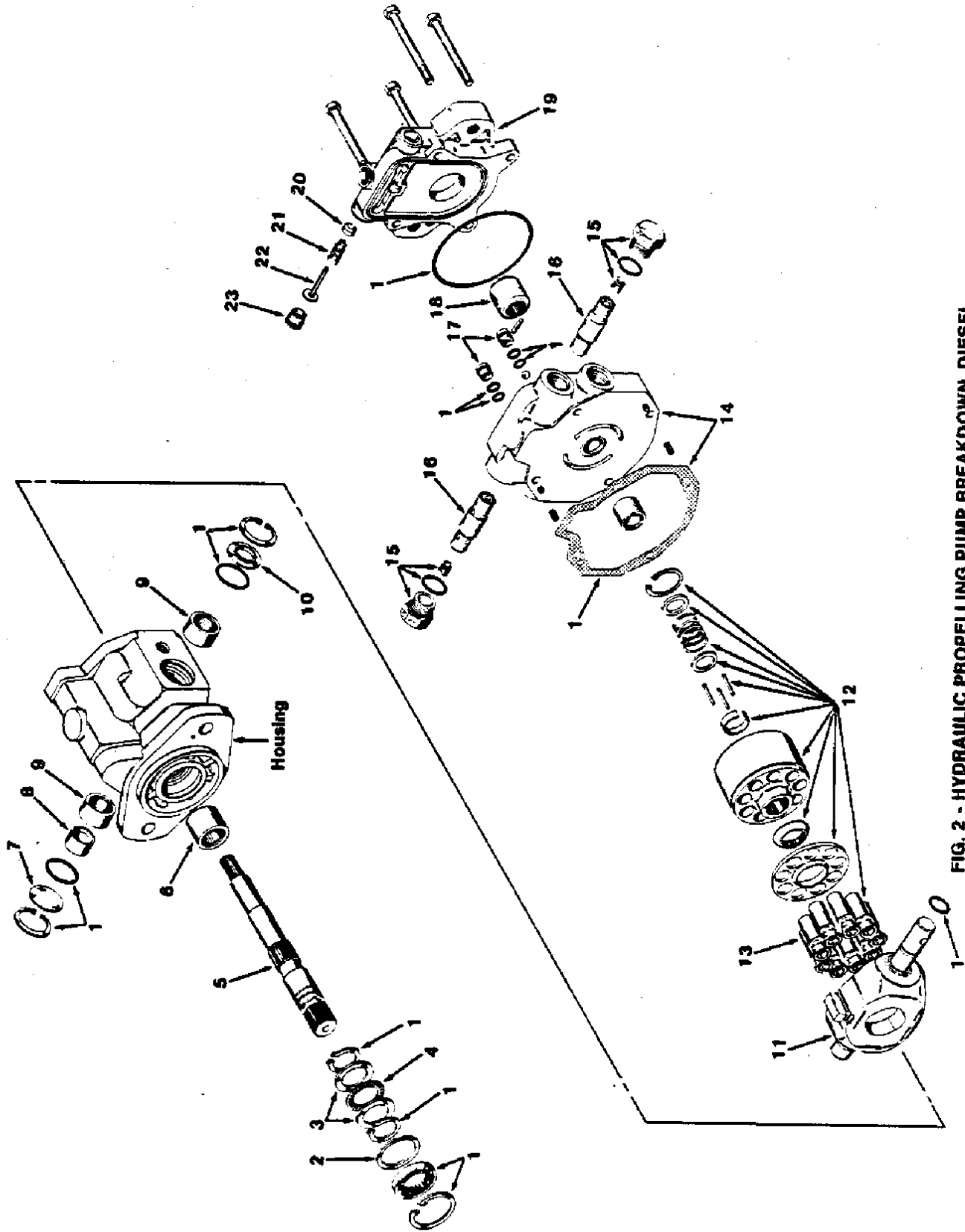


FIG. 2 - HYDRAULIC PROPELLING PUMP BREAKDOWN, DIESEL

FIG. 2 - HYDRAULIC PROPELLING PUMP BREAKDOWN, DIESEL

KEY	CESSNA PART NO.	MACHINE SERIAL NUMBER	DESCRIPTION	QTY.
	*16333	(-)	PUMP, Hydraulic	1
1	*SK1699	(-)	SEAL KIT	1
2	16048-319	(-)	WASHER	1
3	74308-100	(-)	RACE, Thrust	2
4	74308-101	(-)	BEARING, Thrust	1
5	70442-205	(-)	SHAFT, Drive	1
6	*34096	(-)	BEARING	1
7	70412-807	(-)	COVER, Trunnion	1
8	70402-100	(-)	RACE, Inner	1
9	70412-151	(-)	BEARING, Needle	2
10	70402-600	(-)	COVER, Sleeve	1
11	*34098	(-)	PLATE, Cam	1
12	*34099	(-)	ROTATING GROUP KIT	1
13	70401-22	(-)	PISTON KIT	1
14	*37469	(-)	BACK PLATE KIT	1
15	70111-514	(-)	PLUG KIT	2
16	*16332	(-)	VALVE, Relief	2
17	70111-505	(-)	VALVE, Check	2
18	70411-613	(-)	COUPLER	1
19	70442-372	(-)	ADAPTER KIT, Tandem	1
20	70111-507	(-)	POPPET	1
21	17000-48B	(-)	SPRING	1
22	70111-515	(-)	RETAINER, Spring	1
23	70400-505	(-)	RETAINER, Spring	1

*TENNANT® Part number

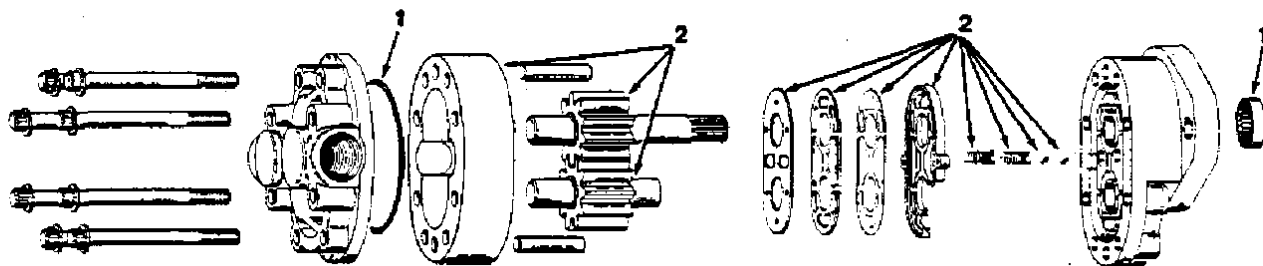


FIG. 3 - HYDRAULIC ACCESSORIES PUMP BREAKDOWN

01238

KEY	TENNANT® PART NO.	MACHINE SERIAL NUMBER	DESCRIPTION	QTY.
	65145	(-)	PUMP, Accessories	1
1	SK1700	(-)	SEAL KIT	1
2	34090	(-)	GEAR AND HOUSING KIT	1

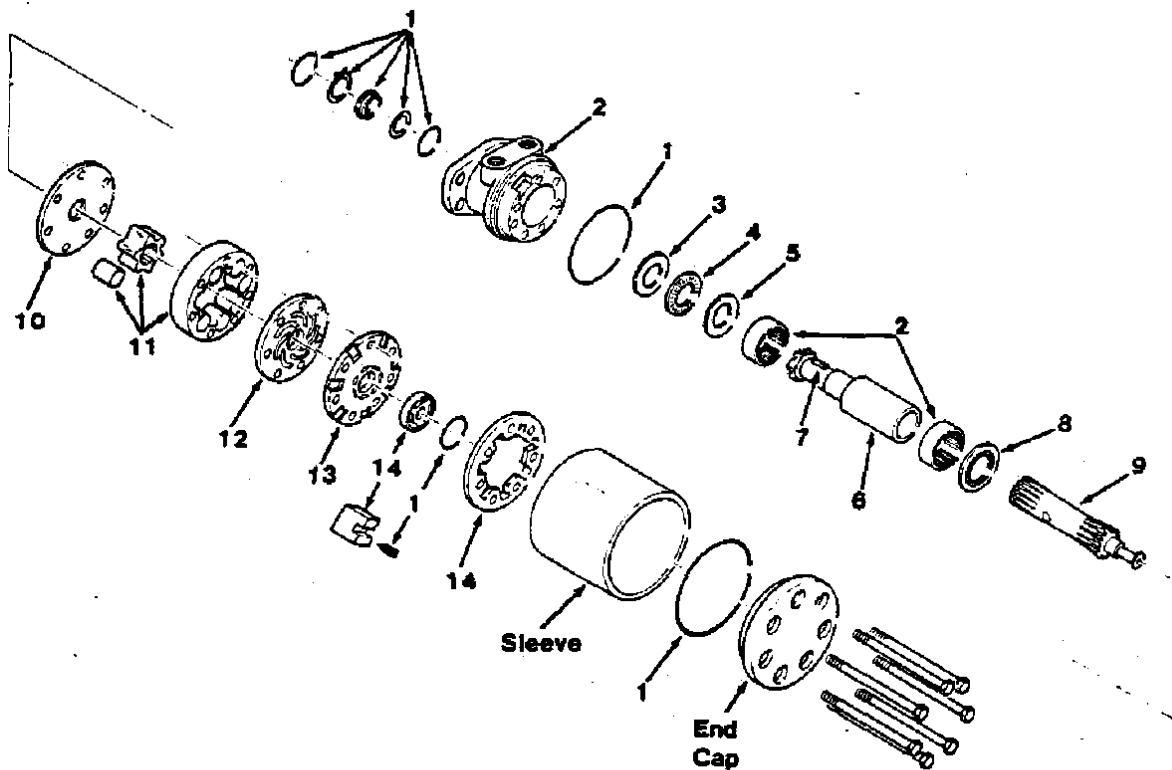


FIG. 4 - HYDRAULIC DRIVE MOTOR BREAKDOWN

01239

KEY	ROSS PART NO.	MACHINE SERIAL NUMBER	DESCRIPTION	QTY.
	*69650	(-)	MOTOR, Hydraulic	1
1	*SK2509	(-)	SEAL KIT	1
2	MAE10038-A7	(-)	HOUSING AND BEARING KIT	1
3	400136	(-)	WASHER, Thrust	1
4	069017	(-)	BEARING, Thrust	1
5	400138	(-)	WASHER, Thrust	1
6	*37910	(-)	SHAFT, Output	1
7	039027	(-)	KEY	1
8	068024	(-)	BEARING, Thrust	1
9	MAE103000	(-)	LINK, Drive	1
10	*38260	(-)	PLATE, Wear	1
11	MAE107000	(-)	ROTOR SET	1
12	477260	(-)	PLATE, Manifold	1
13	MAE015000	(-)	MANIFOLD	1
14	MAB018000	(-)	COMMUTATOR KIT	1

*TENNANT® Part No.

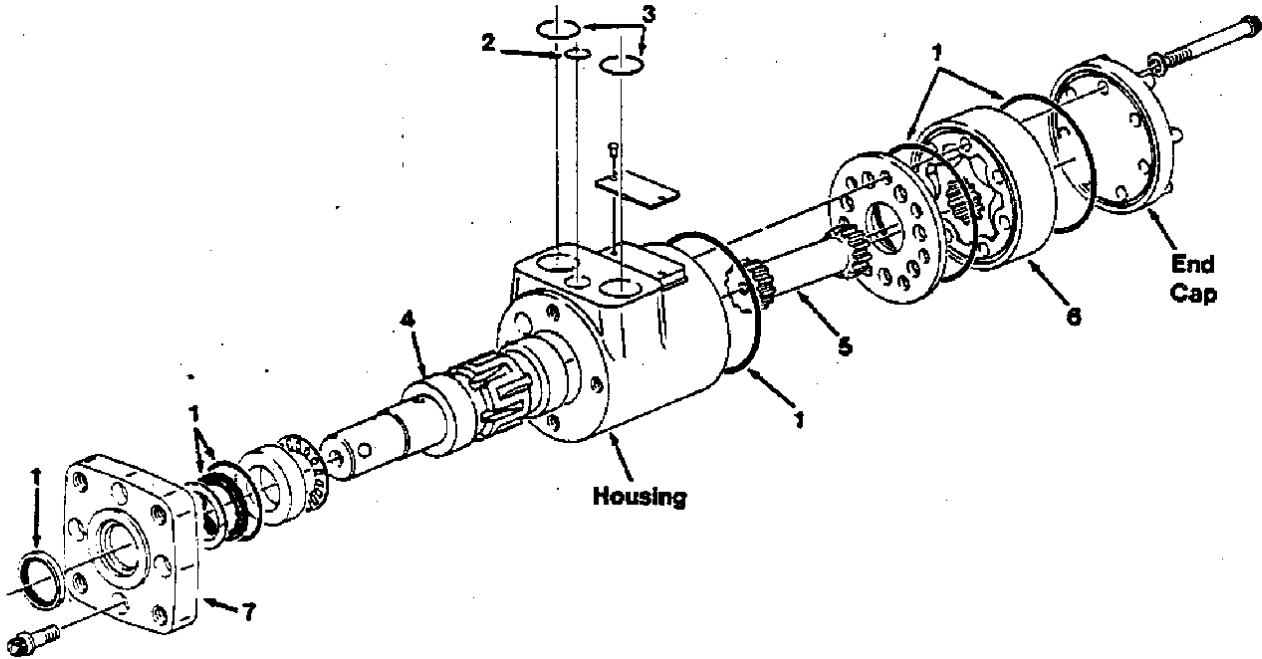


FIG. 5 - SCRUB BRUSH MOTOR BREAKDOWN

01252

KEY	TENNANT® PART NO.	MACHINE SERIAL NUMBER	DESCRIPTION	QTY.
1	47650-4	(-)	MOTOR, Hydraulic	1
2	SK1988	(-)	SEAL KIT	1
3	14791	(-)	O-RING	1
3	51403	(-)	O-RING	2
4	34171	(-)	SHAFT ASSEMBLY, Output	1
5	34172	(-)	DRIVE	1
6	34173	(-)	GEROTOR SET	1
7	34174	(-)	FLANGE, Mounting	1

SECTION 13 ENGINE PARTS, GASOLINE, LPG

CONTENTS

	Page
Ordering Repair Parts.....	13-1
Fig. 1 - Cylinder Head, Crankcase, Oil Pan, and Flywheel Housing Group	13-2
Fig. 2 - Piston, Crankshaft, and Flywheel Group	13-4
Fig. 3 - Valve and Camshaft Group	13-6
Fig. 4 - Front End Plate and Gear Cover Group	13-7
Fig. 5 - Intake and Exhaust Manifolds Group	13-8
Fig. 6 - Oil Pump Parts Group	13-8
Fig. 7 - Governor and Controls Group	13-8
Fig. 8 - Electrical Group	13-9
Fig. 9 - Fuel System Group, Gasoline	13-9
Fig. 10 - Water Pump Group	13-10
Fig. 11 - Cooling System Group, Gasoline	13-10
Fig. 12 - Fuel System Group, LPG	13-10
Fig. 13 - Cooling System Group, LPG	13-10

NOTE: Section 13, Engine Parts, Gasoline, LPG, lists the repair parts for the gasoline and LPG powered engines.

Home

Find...

Go To..



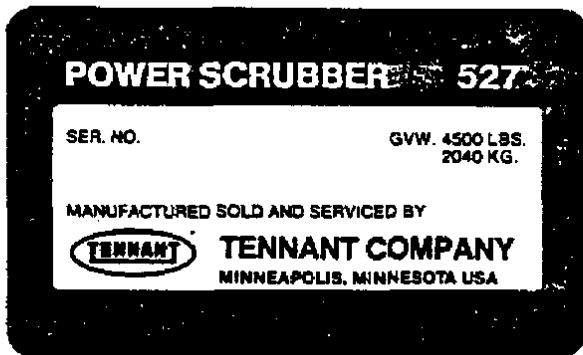
ORDERING REPAIR PARTS

The components used in this machine have been carefully selected for performance and safety. Use only Tennant Company supplied or equivalent parts.

To receive prompt service in filling your parts orders, please direct all parts orders with Tennant Company part numbers to the Tennant Company, and all parts orders with vendor part numbers to the local supplier of the respective vendor.

To avoid errors or delays in filling your parts orders, please furnish all of the following information.

1. Refer to Tennant Company data plate. Always specify the machine model number and the machine serial number shown on the machine data plate.



2. Refer to the vendor part data plate. Always specify the model number and serial number shown on the data plate.
3. Give the part number, description, and the quantity needed of each item on the order. Do not order by reference number or the figure number of the illustrated parts.
4. Indented items indicate parts of assemblies. Standard hardware is furnished only when part of a purchased assembly. Please order hardware from a local hardware supplier.
5. If the old part cannot be identified, send it to us with the quantity needed specified on the order.
6. State definite shipping instructions to include the shipping address and/or the billing address if there is a difference. Any claim for loss or damage to a shipment in transit should be filed promptly against the transportation company making the delivery. Shipments will be complete unless the packing list or order acknowledgement indicate items back ordered.

If parts received are suspected to be incorrect or defective, please write, wire, or phone the parts supplier from whom you ordered the part. They will give authorization for return and/or handle replacement shipments when required.

SI (INTERNATIONAL SYSTEM) UNITS OF MEASURE

Metric equivalents have been included, where applicable, throughout this parts catalog.

BOLT AND CAP SCREW STRENGTH IDENTIFICATION

Bolts and cap screws required to have high-strength qualities equivalent to SAE Grade 8 are identified throughout this catalog by the description GR 8. Unless identified by this description, all standard bolts and cap screws are SAE Grade 5.

SERIAL NUMBER INFORMATION EXPLANATION

Serial number information is listed parenthetically to show on which machines each part can be used. These listings are explained by the following examples:

() The part can be used on all machines.

(0000001234-) The part can be used on all machines beginning with the serial number listed.

(0000000000-0000001234) The part can be used on all machines up to and including serial number listed.

(0000001234-0000005678) The part can be used on all machines between and including the serial numbers listed.

Where XXXXX's are listed in place of a serial number, it indicates a serial number change was made but the exact serial number had not been established when the catalog went to press.

(Specifications and design subject to change without notice.)

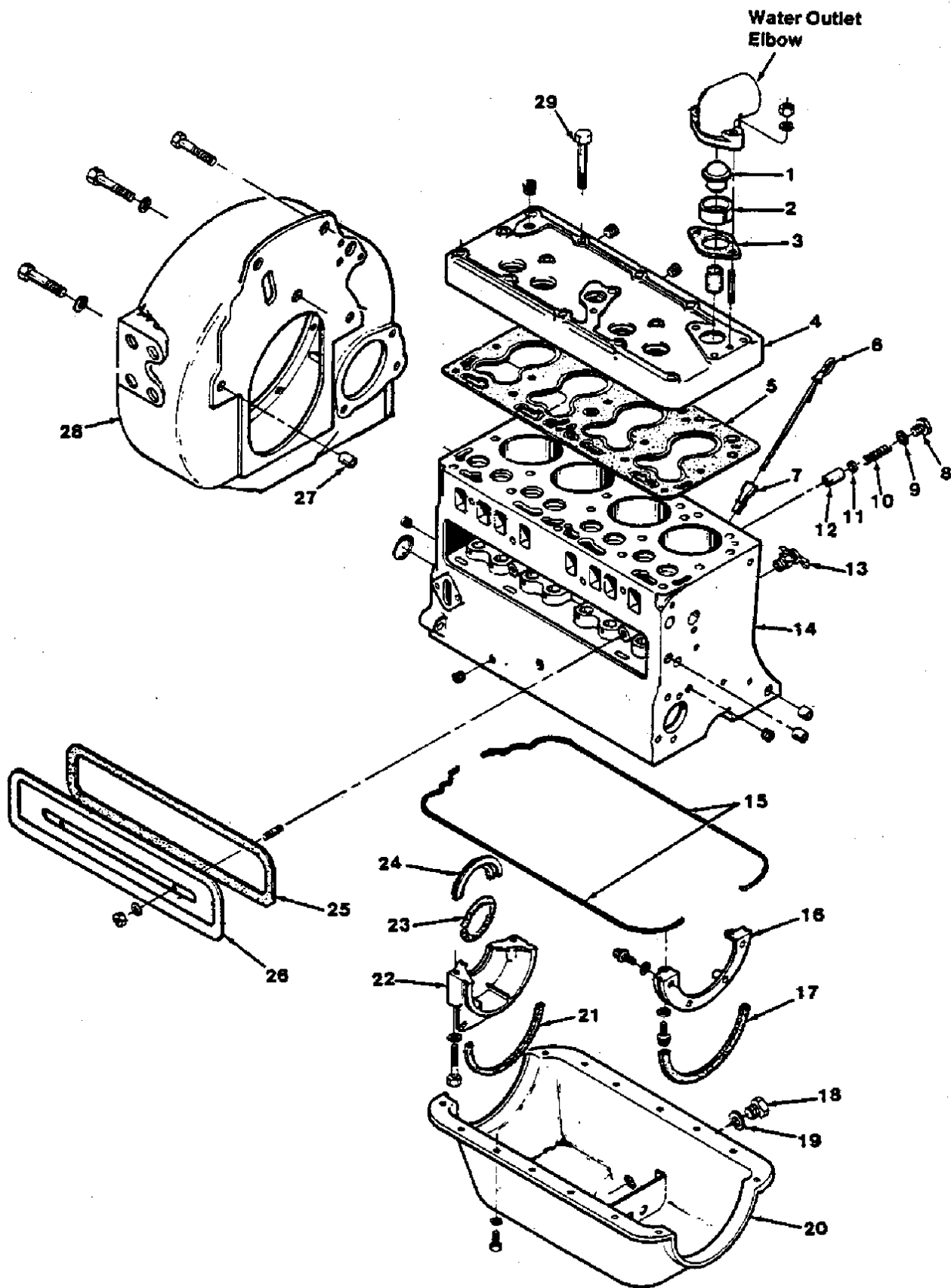


FIG. 1 - CYLINDER HEAD, CRANKCASE, OIL PAN, AND FLYWHEEL HOUSING GROUP

FIG. 1 - CYLINDER HEAD, CRANKCASE, OIL PAN, AND FLYWHEEL HOUSING GROUP

00533

KEY	TENNANT® PART NO.	TELEDYNE CONTINENTAL PART NUMBER	ENGINE SERIAL NUMBER	DESCRIPTION	QTY.
1		F401K00303	(-)	THERMOSTAT, 180° (82° C)	1
2		F218K00202	(-)	RING, Thermostat adapter	1
3		C400K00215	(-)	GASKET, Water outlet elbow	1
4		Y112A03561	(-)	HEAD, Cylinder	1
5	38180	Y400A00416	(-)	GASKET, Cylinder head	1
6		F400L04210	(-)	ROD, Oil gauge	1
7		F400L02911	(-)	SUPPORT, Oil gauge rod	1
8		41AL00200	(-)	PLUG, Oil relief valve	1
9	38025	X00365	(-)	GASKET, Copper	1
10		10EL00230	(-)	SPRING, Oil pressure relief valve	1
11		X14324	(-)	WASHER, Plain	As Req
12		15SL00211	(-)	PLUNGER, Relief valve	1
13		X01015	(-)	VALVE, Cylinder water drain	1
14		Y400A617819S	(-)	SHORT BLOCK ASSEMBLY, Includes: Cylinder and crankcase, bearings, caps, guides, inserts, complete valve mechanism, supports, pistons, connecting rods, crankshaft, camshaft, front end plate, gears, filler blocks, cylinder head, gaskets, gear cover assembly, oil pump, oil pan, studs, nut, screws, washer, pins, and plugs.	1
		Y400A617611R	(-)	SHORT BLOCK ASSEMBLY, Includes: Cylinder block, connecting rods, camshaft bushings, bearing caps, valve train, tappets, camshaft, main and rod bearings, crankshaft, pistons, front end plate, thrust plate, cam gear, crankshaft gear, oil gauge rod, oil guard-rear bearing, and service gasket set.	1
15		Y4U601003	(-)	GASKET SET, Top	1
		X-7814	(-)	GASKET, Oil pan	1
		F6U03003	(-)	GASKET SET, Bottom	1
16		Y401B-300	(-)	BLOCK, Filler, front	1
17		F400B00255	(-)	GASKET, Filler block-to-oil pan front	1
18		F400B00282	(-)	PLUG, Oil drain	1
19		X14583	(-)	WASHER, Drain plug	1
20		Y400B04801	(-)	PAN, Oil	1
21		F400B00255	(-)	GASKET, Filler block-to-oil pan, rear	1
22		Y401B00400	(-)	BLOCK, Filler, rear	1
23	37793	T427B00201	(-)	SEAL, Rear bearing, oil	2
24	38253	D600B00305	(-)	GUARD, Rear bearing, oil	1
25		Y400A00475	(-)	GASKET, Valve chamber cover	1
26	37819	Y400A00366	(-)	COVER, Valve chamber	1
27		X07005	(-)	DOWEL, Ring	2
28		Y400B00458	(-)	HOUSING, Flywheel	1
29	38171	X22123026	(-)	SCREW, Cylinder head to crankcase	12
		X22125	(-)	SCREW, Cylinder head to crankcase, (No. 5, 12, & 15)	3
	37803	F400L04300	(-)	TUBE, Oil filler	1
	38228	20CL02020	(-)	CAP, Oil filler	1
		F400C00206	(-)	COVER, Timing hole	1



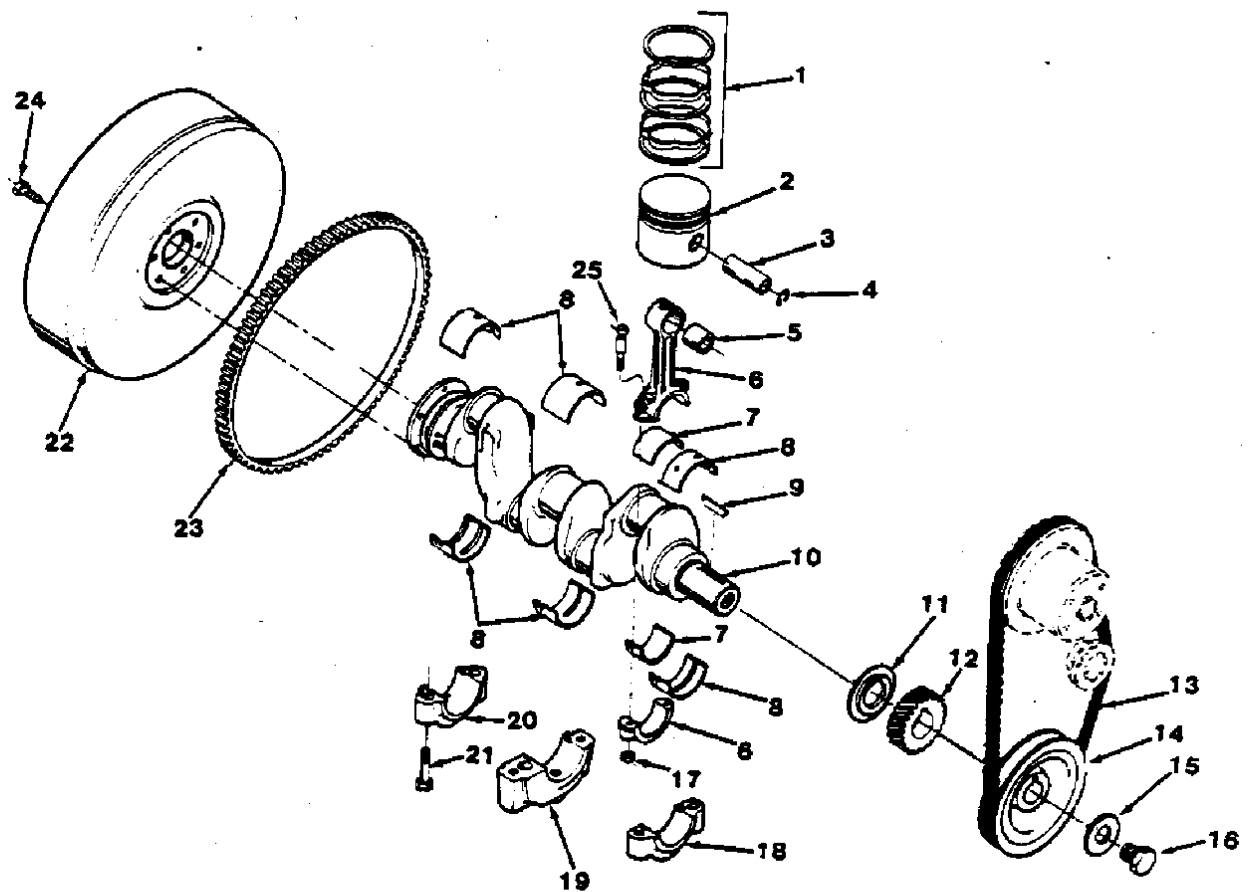


FIG. 2 - PISTON, CRANKSHAFT, AND FLYWHEEL GROUP

FIG. 2 - PISTON, CRANKSHAFT, AND FLYWHEEL GROUP

00534

KEY	TENNANT® PART NO.	TELEDYNE CONTINENTAL PART NUMBER	ENGINE SERIAL NUMBER	DESCRIPTION	QTY.
1	38178	Y112T00162	(-)	RING KIT, Re-ring available in standard, 0.020, 0.030, 0.040, and 0.060 oversize	1
2		Y400A4721E	(-)	PISTON, Includes piston, piston pin, retaining ring; available in standard, 0.020, 0.030, 0.040, 0.060 oversize and semifinished	4
3	37820	Y400A00225	(-)	PIN, Piston, available in standard, 0.003 and 0.005 oversize	4
4		PYA00202	(-)	RING, Retaining, piston pin	8
5	38191	Y400G00235	(-)	BUSHING, Piston pin	4
6		Y400D04037	(-)	ROD AND CAP ASSEMBLY	4
7		Y400T00258	(-)	BEARING KIT, Connecting rod	1
8	16117	Y400T00263	(-)	BEARING KIT, Crankshaft	1
9		X00682	(-)	KEY, Crankshaft, timing gear	1
10		Y400C03861	(-)	CRANKSHAFT	1
11		Y400C00389	(-)	PLATE, Crankshaft thrust	1
12	38193	Y400H00244	(-)	GEAR, Crankshaft	1
13		X27019424	(-)	BELT, Fan	1
14	38188	Y400C00378	(-)	PULLEY, Crankshaft	1
15		X14228	(-)	WASHER	1
16		X06973	(-)	SCREW	1
17		X18547	(-)	NUT	8
18	37818	Y400B00332	(-)	CAP, Crankshaft bearing, front	1
19		Y400B00352	(-)	CAP, Crankshaft bearing, center	1
20		Y400B00331	(-)	CAP, Crankshaft bearing, rear	1
21		X06955	(-)	BOLT, Bearing cap	6
22		Y400C04240	(-)	FLYWHEEL	1
23	38187	Y400C00374	(-)	GEAR, Ring	1
24		X06828	(-)	BOLT, Flywheel	6
25		Y400D00208	(-)	BOLT, connecting rod	8

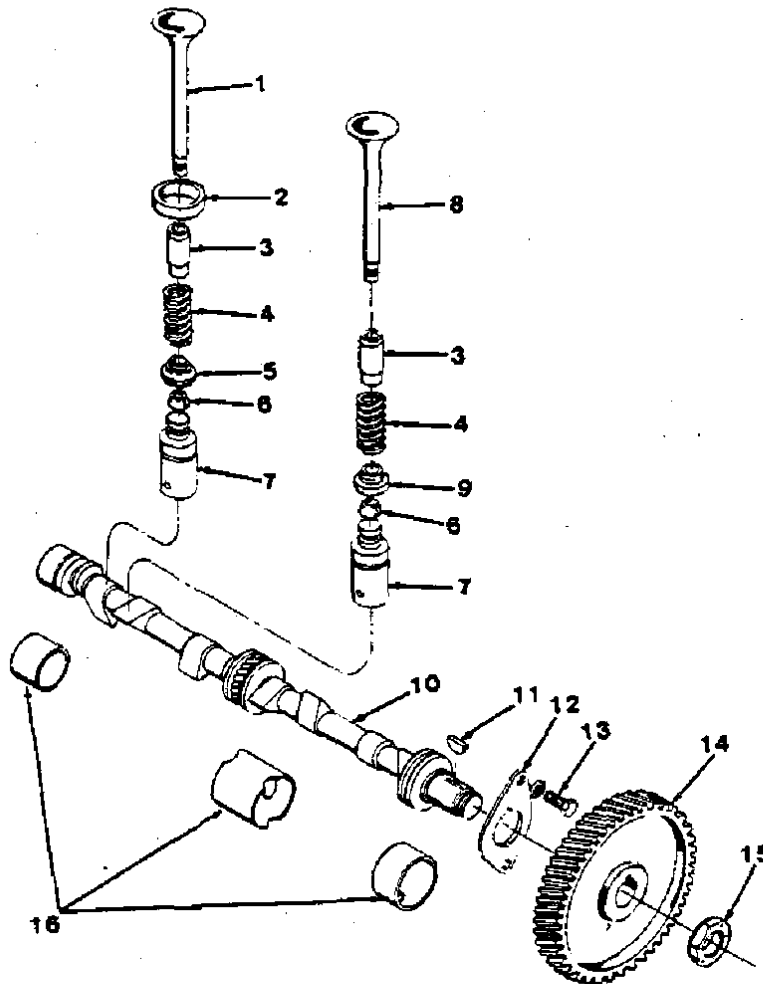


FIG. 3 - VALVE AND CAMSHAFT GROUP

00535

KEY	TENNANT® PART NO.	TELEDYNE CONTINENTAL PART NUMBER	ENGINE SERIAL NUMBER	DESCRIPTION	QTY.
1	38198	Y400I00324	(-)	VALVE, Exhaust	4
2	38028	Y400A00243010	(-)	INSERT, Valve seat, exhaust (0.010 oversize for service)	4
3	38195	TC56I00203	(-)	GUIDE, Valve stem, intake and exhaust	8
4		Y400I00233	(-)	SPRING, Valve, intake and exhaust	8
5		F400I03410	(-)	ROTO COIL, Exhaust	4
6		Z120I00235	(-)	LOCK, Valve spring retainer, intake and exhaust	16
7	16170	F600I02520	(-)	TAPPET, Valve, available in standard, 0.001, 0.003, 0.005, 0.010, 0.015, and 0.020 oversize	8
8	38199	Y400I00332	(-)	VALVE, Intake	4
9		F400I00250	(-)	RETAINER, Valve spring, intake	4
10	38197	Y400I00247	(-)	CAMSHAFT	1
11		X00506	(-)	KEY, Cam gear to camshaft	1
12		Y400I00246	(-)	PLATE, Camshaft thrust	1
13		X03203A	(-)	SCREW, Thrust plate to crankcase	2
14	38175	Y112H00314	(-)	GEAR, Camshaft	1
15		X18521	(-)	NUT, Cam gear to camshaft	1
16	38207	Y400T00252	(-)	BUSHING KIT, Camshaft	1

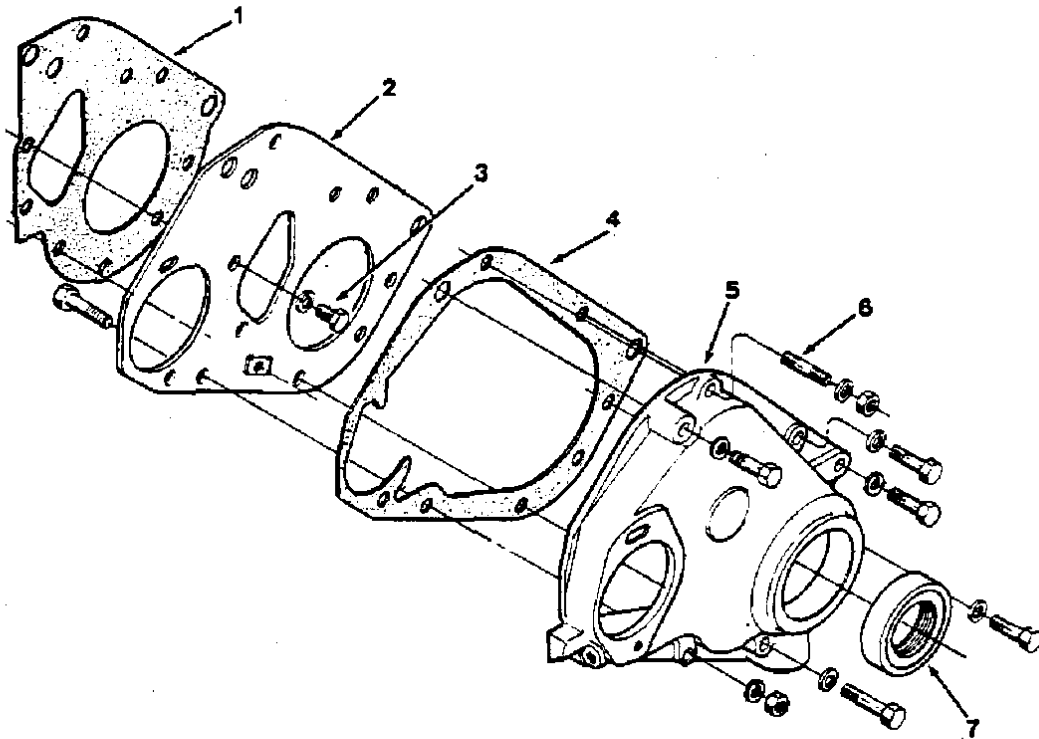


FIG. 4 - FRONT END PLATE AND GEAR COVER GROUP

00535

KEY	TENNANT® PART NO.	TELEDYNE CONTINENTAL PART NUMBER	ENGINE SERIAL NUMBER	DESCRIPTION	QTY.
1	38210	Y69B00305	(-)	GASKET, Front end plate	1
2	38212	Y69B04060	(-)	PLATE, Front end	1
3		X03182	(-)	SCREW, Front end plate to crankcase	3
4	38027	Y112B00428	(-)	GASKET, Gear cover	1
5		Y112B00206	(-)	COVER, Gear	1
6		X04107	(-)	STUD, Gear cover to crankcase, upper	1
7		X07812	(-)	SEAL, Crankshaft oil	1
		Y400B00351	(-)	POINTER, Timing	1
		Y4UQ2008	(-)	GASKET SET, Front end	1

FIG. 5 - INTAKE AND EXHAUST MANIFOLDS GROUP

01672

KEY	TENNANT* PART NO.	TELEDYNE CONTINENTAL PART NUMBER	ENGINE SERIAL NUMBER	DESCRIPTION	QTY.
	38189	Y112E00400	(-)	MANIFOLD, Intake & exhaust	1
		Y400E00302	(-)	GASKET, Intake & exhaust manifold	1
		X04057	(-)	STUD, Intake & exhaust manifold	4
		X14323	(-)	WASHER, Intake & exhaust manifold	4
		X18087	(-)	NUT, Intake & exhaust manifold	4
		F400F00478	(-)	TUBE, PCV, intake manifold to tee	1
		X08253200	(-)	HOSE, Manifold elbow to tube	1
		X08253040	(-)	HOSE, Tee to filler tube elbow	1
		X26124	(-)	TEE, Tube to tee hose	1
		X26125	(-)	ELBOW, Restrictor, on intake manifold	1
		X02751	(-)	CLAMP, Hose	4

FIG. 6 - OIL PUMP GROUP

01673

KEY	TENNANT* PART NO.	TELEDYNE CONTINENTAL PART NUMBER	ENGINE SERIAL NUMBER	DESCRIPTION	QTY.
		Y400L04091	(-)	PUMP, Oil complete	1
		X19002	(-)	STUD, Oil pump mounting	1
		X18387	(-)	NUT, Oil pump mounting	1
		Y400T00207	(-)	REPAIR KIT, Oil pump	1
		Y400L00245	(-)	SHAFT, Oil pump drive	1
		21UL00210	(-)	STUD, Oil pump idler gear	1
		F400L00210	(-)	SLEEVE, Oil pump drive shaft	1

FIG. 7 - GOVERNOR AND CONTROLS GROUP

01674

KEY	TENNANT* PART NO.	TELEDYNE CONTINENTAL PART NUMBER	ENGINE SERIAL NUMBER	DESCRIPTION	QTY.
	37795	F401S00433	(-)	GOVERNOR	1
		X07811	(-)	GASKET, Governor and spacer to gear cover	2
	16113	Y112S00240	(-)	SPACER, Governor to gear cover	1
		X14259	(-)	SPACER, Governor to gear cover, upper	1
	38158	M600S03081	(-)	LEVER ASSEMBLY, Governor speed	1
		Y91S00217	(-)	SPRING, Governor	1
		Y400S00335	(-)	ROD, Governor to carburetor	1
		X18137	(-)	NUT, Control rod, governor end	1
		X13201	(-)	JOINT, Ball, governor lever to control rod	1
		X00201	(-)	WASHER, Lock, ball joint to governor	1
		X18137	(-)	NUT, Ball joint to governor	1
		X05696	(-)	CLIP, Control rod to carburetor lever	1

FIG. 8 - ELECTRICAL GROUP

01875

KEY	TENNANT® PART NO.	TELEDYNE CONTINENTAL PART NUMBER	ENGINE SERIAL NUMBER	DESCRIPTION	QTY.
		F401M00405	(-)	DISTRIBUTOR	1
	37422		(-)	CAP, Distributor	1
	37421		(-)	ROTOR	1
	37420		(-)	POINT SET	1
	45631		(-)	CONDENSER	1
	38176	Y112M00255	(-)	SHAFT, Distributor drive	1
		F400M00293	(-)	CLAMP, Distributor to cylinder head	1
		X19002	(-)	STUD, Distributor to cylinder head	1
		22RM00303	(-)	COIL, Ignition	1
		SP207S00016RD	(-)	PLUG, Spark	4
		FW00308100	(-)	WIRE, Distributor to ignition coil, 10" (254 mm) long	1
	38076	FW00307100	(-)	WIRE, Distributor to cylinder 1 & 4, 10" (254 mm) long,	2
		FW00307080	(-)	WIRE, Distributor to cylinder 2 & 3, 8" (203 mm) long,	2
		F401M00345	(-)	ALTERNATOR, 12 V, negative ground	1
		X14531	(-)	SPACER, Alternator pulley	1
	37794	HD277M00407	(-)	FAN, Alternator pulley	1
	38107	F600M00379	(-)	PULLEY, Alternator	1
		F401M00407	(-)	BRACKET, Alternator	1
		X19002	(-)	STUD, Alternator bracket to crankcase	2
		X14234	(-)	SPACER, Alternator to bracket, rear	1
	38006	F401M00201	(-)	STRAP, Alternator adjusting	1
		X14399	(-)	SPACER, Adjusting strap to water pump	1
		F401M00332	(-)	HARNESS, Wire, alternator rectifier, assemble to alternator and battery terminal	1
	55977	F401M00348	(-)	STARTER, 12 V	1

FIG. 9 - FUEL SYSTEM GROUP, GASOLINE

01876

KEY	TENNANT® PART NO.	TELEDYNE CONTINENTAL PART NUMBER	ENGINE SERIAL NUMBER	DESCRIPTION	QTY.
		CA9F00303	(-)	CARBURETOR	1
		X03209	(-)	SCREW, Carburetor to intake manifold	1
		F600F00461	(-)	PUMP, Fuel	1
		X12489	(-)	ELBOW, Fuel pump outlet	1
		X05620	(-)	CLIP, Fuel pump hose #15 cylinder head screw	1
		X00203	(-)	WASHER, Lock, clip to #15 cylinder head screw	1
		X01802G	(-)	NUT, Clip to #15 cylinder head screw	1
		X08016240	(-)	HOSE, Fuel pump to carburetor	1

FIG. 10 - WATER PUMP GROUP

01677

KEY	TENNANT® PART NO.	TELEDYNE CONTINENTAL PART NUMBER	ENGINE SERIAL NUMBER	DESCRIPTION	QTY.
		Y400K03697	(-)	PUMP, Water, complete (less pulley)	1
		Y400K00340	(-)	GASKET, Water pump	1
	16165	F401K00342	(-)	PULLEY, Water pump	1
	38206	Y400T00251	(-)	REPAIR KIT, Water pump	1

FIG. 11 - COOLING SYSTEM GROUP, GASOLINE

01678

KEY	TENNANT® PART NO.	TELEDYNE CONTINENTAL PART NUMBER	ENGINE SERIAL NUMBER	DESCRIPTION	QTY.
		X05067	(-)	NIPPLE, Water pump body	1
		X05062	(-)	ELBOW, Nipple to water pump	1
		X12517	(-)	NIPPLE, Assembly to elbow	1
	16154		(-)	ELBOW, Water outlet	1
	50504	X04102	(-)	STUD, Water outlet elbow to cylinder head	1
		X12191	(-)	ELBOW, Water outlet elbow	1
		X12517	(-)	NIPPLE, Water outlet elbow	1
		Y400K00261	(-)	HOSE, Water by-pass	1
	53988-15	X02376	(-)	CLAMP, Water by-pass hose	1

FIG. 12 - FUEL SYSTEM GROUP, LPG

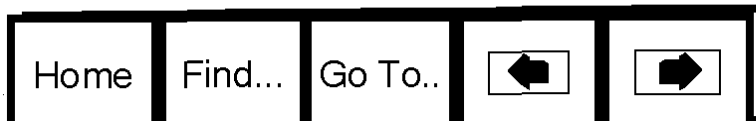
01679

KEY	TENNANT® PART NO.	TELEDYNE CONTINENTAL PART NUMBER	ENGINE SERIAL NUMBER	DESCRIPTION	QTY.
		CA8F00357	(-)	CARBURETOR, LPG	1
		F162F00243	(-)	GASKET, Carburetor to intake manifold	1
		X20063	(-)	STUD, Intake manifold to carburetor, LPG	2
		Y400B00220	(-)	COVER, Fuel pump, LPG	1
		Y400V00200	(-)	GASKET, Fuel pump	1

FIG. 13 - COOLING SYSTEM GROUP, L.P.G.

01680

KEY	TENNANT® PART NO.	TELEDYNE CONTINENTAL PART NUMBER	ENGINE SERIAL NUMBER	DESCRIPTION	QTY.
		X12144	(-)	BUSHING, Water pump body, LPG	1
	50644	X12016	(-)	ELBOW, Nipple to water pump, LPG	1
		X07057	(-)	RING, Retaining, LPG	1
	SK2669		(-)	ELBOW AND VAPORIZER KIT	1
	33603		(-)	ELBOW, Water outlet, LPG	1
	SK2668		(000000-xxxxxx)	VAPORIZER, LPG	1
	33600		(xxxxxx-	VAPORIZER, LPG	1
	33602		(-)	REPAIR KIT, Vaporizer	1
	53988-13		(-)	THERMOSTAT	1
	53988-14		(-)	RING, Retaining	1
	53988-12		(-)	GASKET, Thermostat	1
		X04107	(-)	STUD, Water outlet elbow to cylinder head, LPG	2
	50502	X08100102	(-)	HOSE, Water outlet elbow to water pump	1



SECTION 14 ENGINE PARTS, DIESEL

CONTENTS

	Page
Ordering Repair Parts.....	14-1
Fig. 1 - Cylinder Block Group.....	14-2
Fig. 2 - Crankshaft Group.....	14-4
Fig. 3 - Cylinder Head Group.....	14-6
Fig. 4 - Manifold Group.....	14-7
Fig. 5 - Cylinder Head Cover Group.....	14-8
Fig. 6 - Timing Gear Group.....	14-10
Fig. 7 - Oil Sump Group.....	14-12
Fig. 8 - Water Pump Group.....	14-14
Fig. 9 - Alternator Group.....	14-15
Fig. 10 - Fuel Filter and Pump Group.....	14-18
Fig. 11 - Fuel Injection Group.....	14-18
Fig. 12 - Flywheel and Housing Group.....	14-20

NOTE: Section 14, Engine Parts, Diesel, lists the repair parts for diesel powered engines.

Home

Find...

Go To..



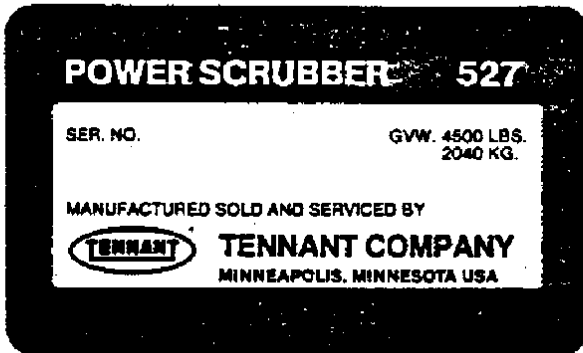
ORDERING REPAIR PARTS

The components used in this machine have been carefully selected for performance and safety. Use only Tennant Company supplied or equivalent parts.

To receive prompt service in filling your parts orders, please direct all parts orders with Tennant Company part numbers to the Tennant Company, and all parts orders with vendor part numbers to the local supplier of the respective vendor.

To avoid errors or delays in filling your parts orders, please furnish all of the following information.

1. Refer to Tennant Company data plate. Always specify the machine model number and the machine serial number shown on the machine data plate.



2. Refer to the vendor part data plate. Always specify the model number and serial number shown on the data plate.
3. Give the part number, description, and the quantity needed of each item on the order. Do not order by reference number or the figure number of the illustrated parts.
4. Indented items indicate parts of assemblies. Standard hardware is furnished only when part of a purchased assembly. Please order hardware from a local hardware supplier.
5. If the old part cannot be identified, send it to us with the quantity needed specified on the order.
6. State definite shipping instructions to include the shipping address and/or the billing address if there is a difference. Any claim for loss or damage to a shipment in transit should be filed promptly against the transportation company making the delivery. Shipments will be complete unless the packing list or order acknowledgement indicate items back ordered.

If parts received are suspected to be incorrect or defective, please write, wire, or phone the parts supplier from whom you ordered the part. They will give authorization for return and/or handle replacement shipments when required.

SI (INTERNATIONAL SYSTEM) UNITS OF MEASURE

Metric equivalents have been included, where applicable, throughout this parts catalog.

BOLT AND CAP SCREW STRENGTH IDENTIFICATION

Bolts and cap screws required to have high-strength qualities equivalent to SAE Grade 8 are identified throughout this catalog by the description GR 8. Unless identified by this description, all standard bolts and cap screws are SAE Grade 5.

SERIAL NUMBER INFORMATION EXPLANATION

Serial number information is listed parenthetically to show on which machines each part can be used. These listings are explained by the following examples:

() The part can be used on all machines.

(0000001234-) The part can be used on all machines beginning with the serial number listed.

(0000000000-0000001234) The part can be used on all machines up to and including serial number listed.

(0000001234-0000005678) The part can be used on all machines between and including the serial numbers listed.

Where XXXXX's are listed in place of a serial number, it indicates a serial number change was made but the exact serial number had not been established when the catalog went to press.

(Specifications and design subject to change without notice.)

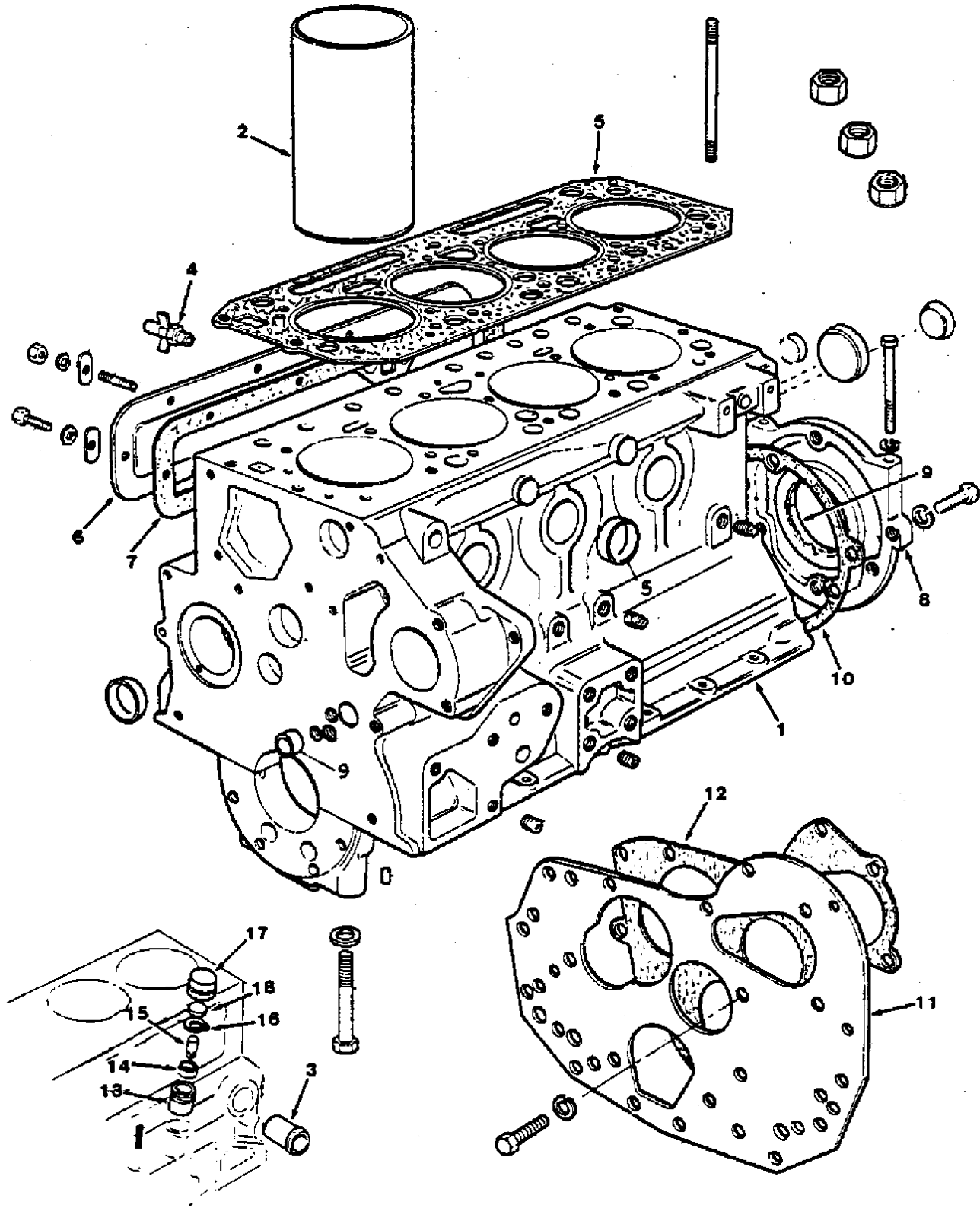
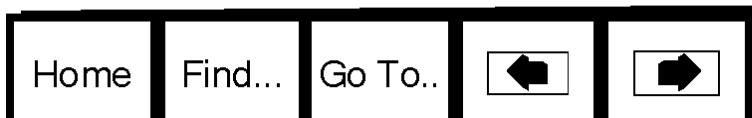


FIG. 1 - CYLINDER BLOCK GROUP

FIG. 1 - CYLINDER BLOCK GROUP

Q1240

KEY	TENNANT® PART NO.	PERKINS PART NUMBER	ENGINE SERIAL NUMBER	DESCRIPTION	QTY.
1		093654	(-)	CYLINDER BLOCK ASSEMBLY	1
2		31358117	(-)	LINER, Cylinder block	4
3		0201297	(-)	CONNECTION, Water	1
4		031419	(-)	DRAINCOCK	1
5		36812134	(-)	GASKET, Cylinder head	1
6		37554591	(-)	COVER, Tappet	1
7		36846412	(-)	GASKET	1
8		055281	(-)	HOUSING ASSEMBLY, Crankshaft, rear	1
9		36883107	(-)	SEAL, Oil	2
10		36826114	(-)	GASKET	1
11		36256717	(-)	PLATE, Mounting	1
12		0490740	(-)	GASKET	1
13		0770101	(-)	SLEEVE	1
14		0050358	(-)	BEARING	1
15		33473107	(-)	SHAFT, Tachometer drive	1
16		0170052	(-)	RING, Retaining	1
17		32813106	(-)	CAPNUT, Blanking	1
18		32811104	(-)	WASHER, Capnut	1
		083416	(-)	GASKET SET, Top overhaul	1
		086994	(-)	GASKET SET, Bottom overhaul	1



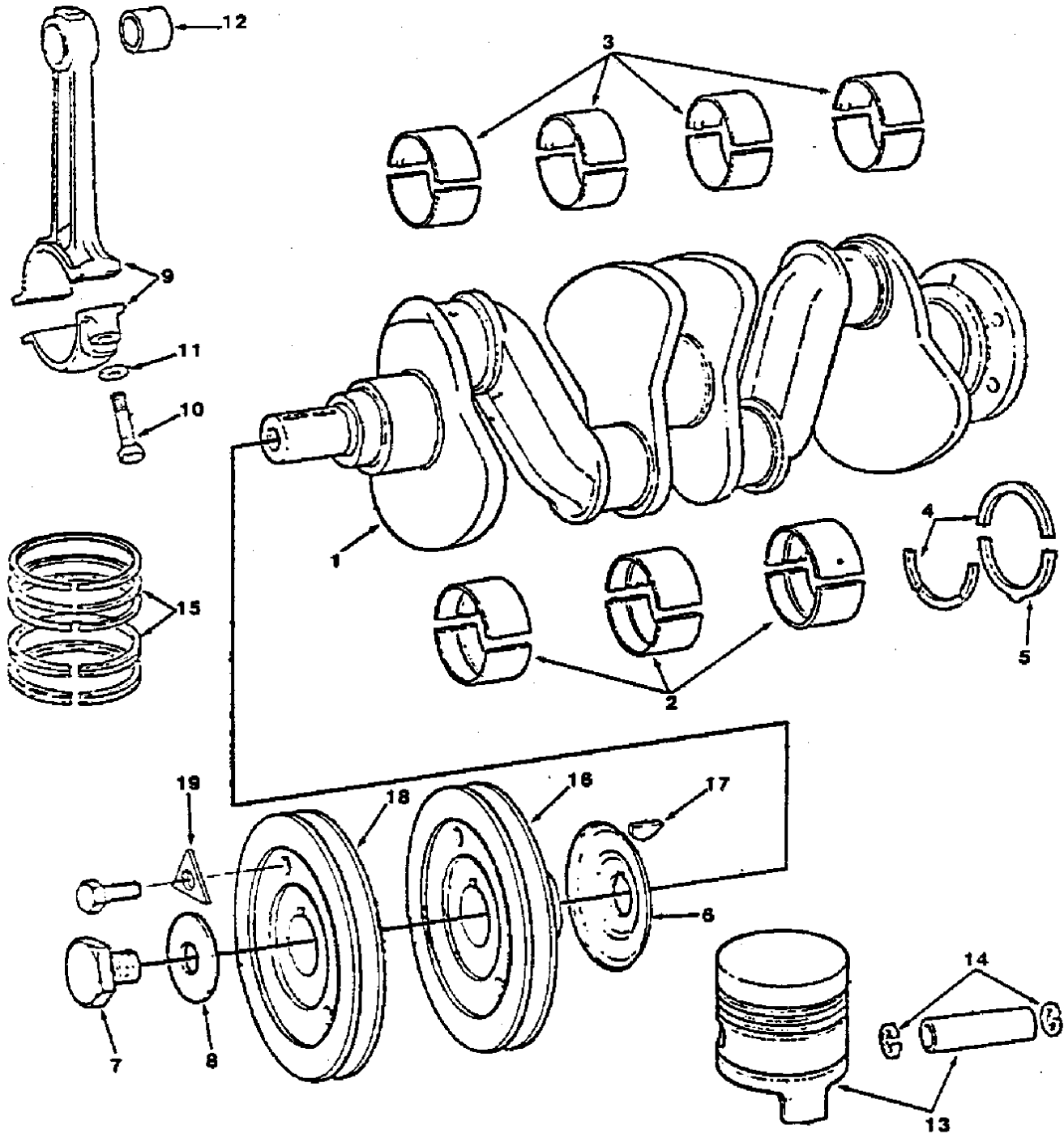


FIG. 2 - CRANKSHAFT GROUP

FIG. 2 - CRANKSHAFT GROUP

01241

KEY	TENNANT® PART NO.	PERKINS PART NUMBER	ENGINE SERIAL NUMBER	DESCRIPTION	QTY.
1		084417	(-)	CRANKSHAFT KIT	1
2		084992	(-)	BEARINGS, Main, standard	1
2		084992A	(-)	BEARINGS, Main, -0.010"	1
2		084992B	(-)	BEARINGS, Main, -0.020"	1
2		084992C	(-)	BEARINGS, Main, -0.030"	1
3		085037	(-)	BEARINGS, Rod, standard	1
3		085037A	(-)	BEARINGS, Rod, -0.010"	1
3		085037B	(-)	BEARINGS, Rod, -0.020"	1
3		085037C	(-)	BEARINGS, Rod, -0.030"	1
4		0921120	(-)	WASHER, Standard	2
4		0921120A	(-)	WASHER, +0.007"	2
5		0921118	(-)	WASHER, Standard	2
5		0921118A	(-)	WASHER, +0.007"	2
6		33474003	(-)	FLANGE	1
7		32162316	(-)	SCREW	1
8		33124119	(-)	WASHER	1
9		083417	(-)	ROD ASSEMBLY	4
10		0095314	(-)	BOLT	8
11		33115121	(-)	WASHER	8
12		31134145	(-)	BUSHING	4
13		069491	(-)	PISTON ASSEMBLY	4
14		2721124	(-)	CIRCLIP	8
15		41158088	(-)	RING SET	4
16		31147633	(-)	PULLEY	1
17		0500006	(-)	KEY	1
18		31147741	(-)	PULLEY	1
19		31733116	(-)	TABWASHER	3



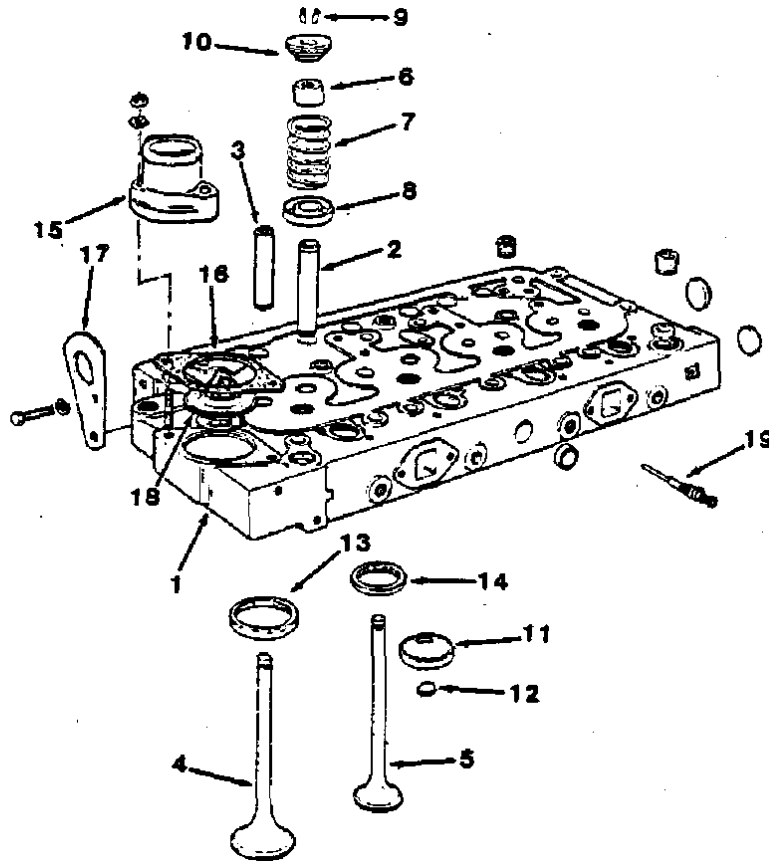


FIG. 3 - CYLINDER HEAD GROUP

01242

KEY	TENNANT* PART NO.	PERKINS PART NUMBER	ENGINE SERIAL NUMBER	DESCRIPTION	QTY.
1		089232	(-)	CYLINDER HEAD ASSEMBLY	1
2		33261723	(-)	GUIDE, Exhaust valve	4
3		33261741	(-)	GUIDE, Inlet valve	4
4		0910060	(-)	VALVE, Inlet	4
5		0910061	(-)	VALVE, Exhaust	4
6		33817403	(-)	SEAL, Oil deflector	8
7		0780144	(-)	SPRING, Inlet & exhaust valve	8
8		0921117	(-)	SEAT, Valve spring	8
9		0230001	(-)	COTTER, Spring retaining, set	8
10		0150129	(-)	CAP, Valve spring	8
11		37443591	(-)	INSERT, Combustion chamber	4
12		0921249	(-)	WASHER, Combustion chamber insert	4
13		33124424	(-)	INSERT, Inlet valve	4
14		33123411	(-)	INSERT, Exhaust valve	4
15		37463711	(-)	CONNECTION, Water outlet	1
16		0490184	(-)	GASKET	1
17		0940990	(-)	PLATE, Engine lifting, front	1
18		2485635	(-)	THERMOSTAT	1
19		2666407	(-)	GLOWPLUG, Cylinder head heater	4

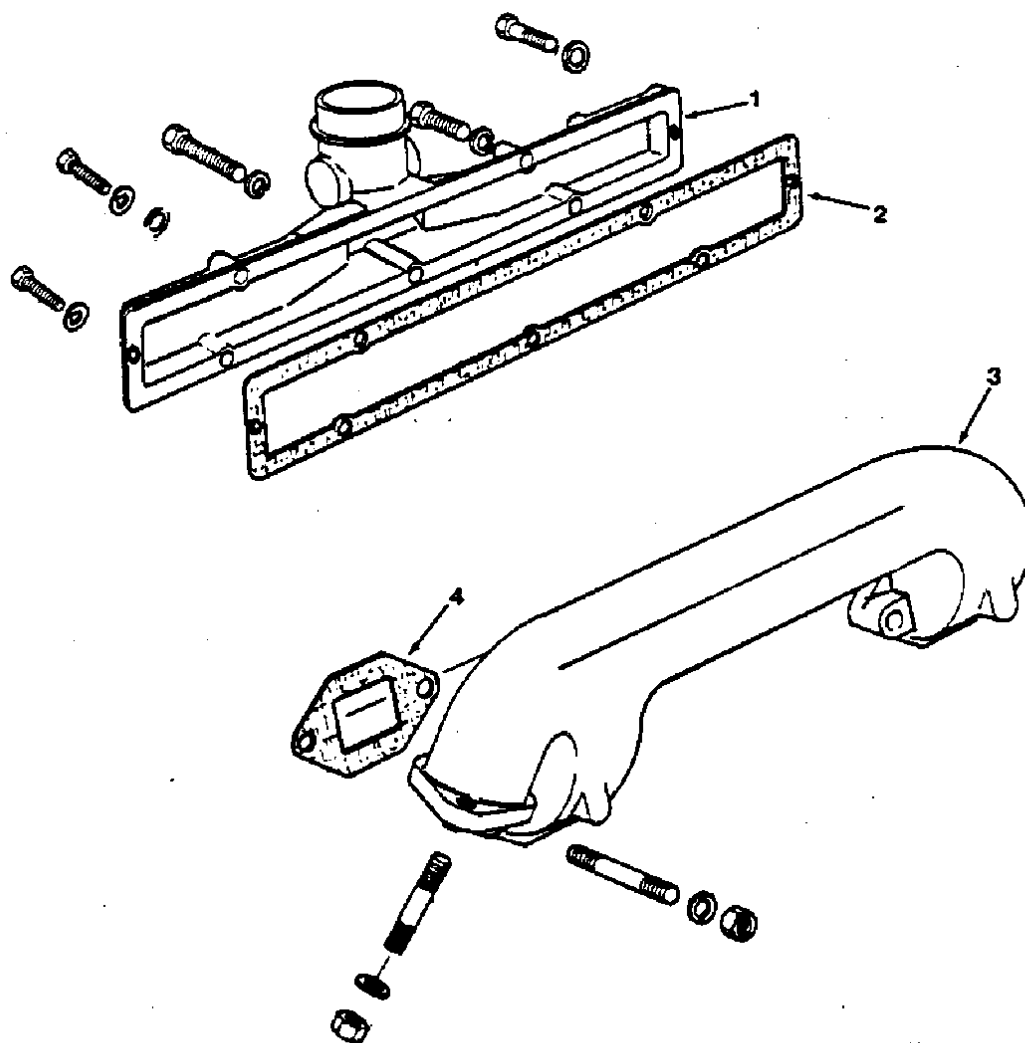


FIG. 4 - MANIFOLD GROUP

01243

KEY	TENNANT® PART NO.	PERKINS PART NUMBER	ENGINE SERIAL NUMBER	DESCRIPTION	QTY.
1		37786175	(-)	MANIFOLD, Induction	1
2		36846415	(-)	GASKET, Manifold	1
3		0540151	(-)	MANIFOLD, Exhaust	1
4		0490656	(-)	GASKET, Exhaust manifold	2

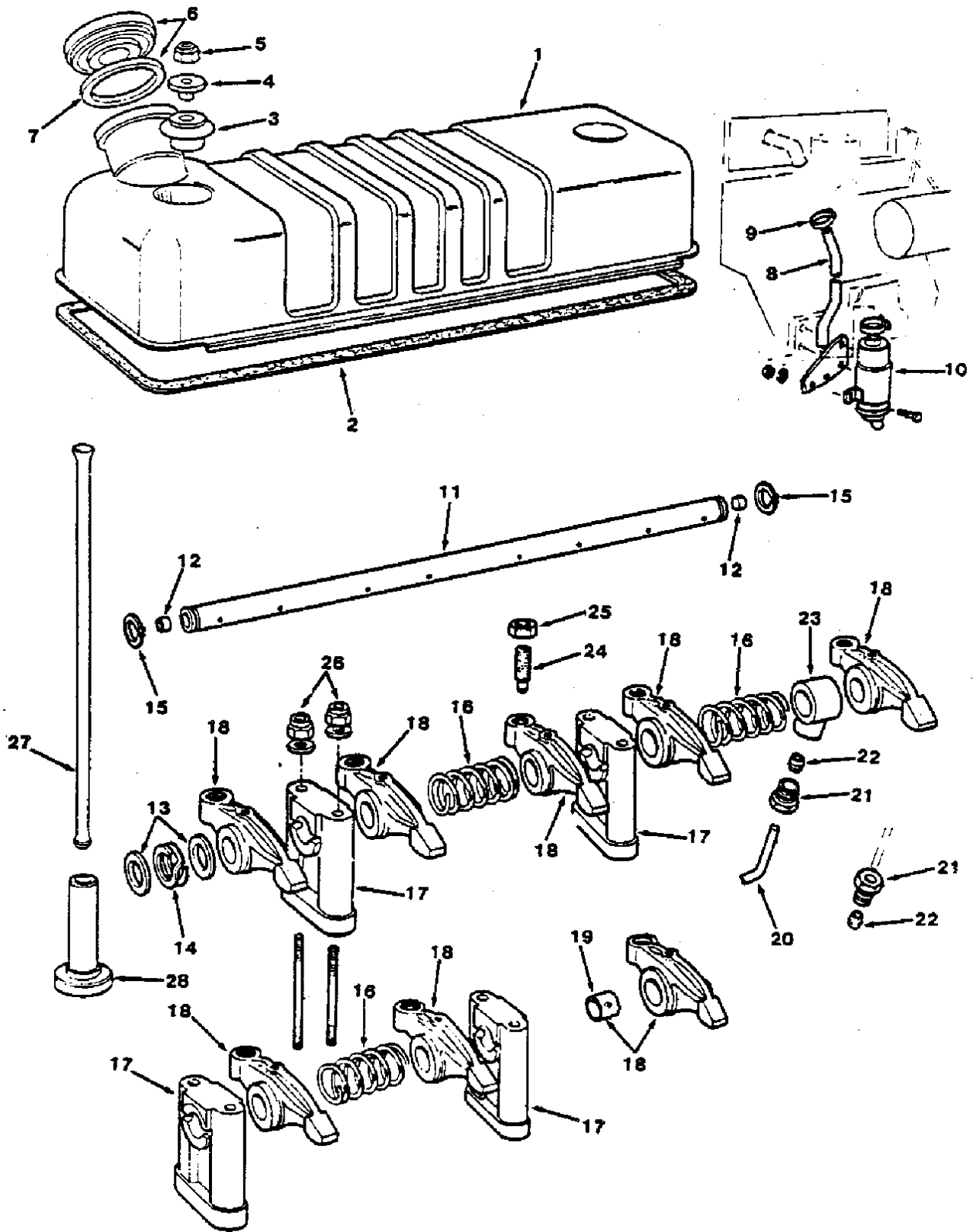
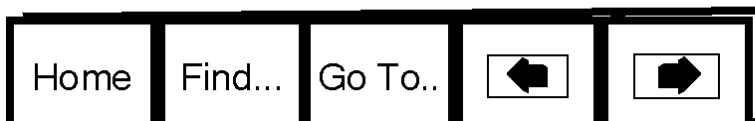


FIG. 5 - CYLINDER HEAD COVER GROUP

FIG. 5 - CYLINDER HEAD COVER GROUP

01244

KEY	TENNANT® PART NO.	PERKINS PART NUMBER	ENGINE SERIAL NUMBER	DESCRIPTION	QTY.
1		37188137	(-)	COVER, Cylinder head	1
2		0490724	(-)	GASKET	1
3		0730116	(-)	SEAL, Cover	2
4		0921116	(-)	WASHER, Cover seal	2
5		0576102	(-)	NUT, Cover retaining	2
6		2487841	(-)	CAP, Lube oil filler	1
7		24870001	(-)	GASKET, Filler cap	1
8		35731143	(-)	PIPE, Breather extension	1
9		0180103	(-)	CLIP, Breather extension pipe	1
10		2652845	(-)	BODY, Breather	1
		058529	(-)	ROCKER SHAFT ASSEMBLY	1
11		055286	(-)	SHAFT, Rocker	1
12		0650507	(-)	PLUG, Rocker shaft end	2
13		0920485	(-)	WASHER, Plain, rocker shaft end	4
14		0921122	(-)	WASHER, Double coil	2
15		0170033	(-)	RING, Retaining	2
16		0780261	(-)	SPRING, Rocker shaft	3
17		0102202	(-)	BRACKET, Rocker shaft	4
18		41151448	(-)	LEVER, Rocker	8
19		0050132	(-)	BUSHING, Rocker level	1
20		34414122	(-)	PIPE, Oil feed	1
21		0571351	(-)	NUT, Pipe	2
22		0566002	(-)	FERRULE, Pipe	2
23		0201318	(-)	CONNECTION	1
24		0720790	(-)	SCREW, Tappet adjusting	8
25		0576151	(-)	LOCKNUT, Screw	8
26		0576302	(-)	NUT	8
27		31434306	(-)	ROD, Push	8
28		31434152	(-)	TAPPET	8



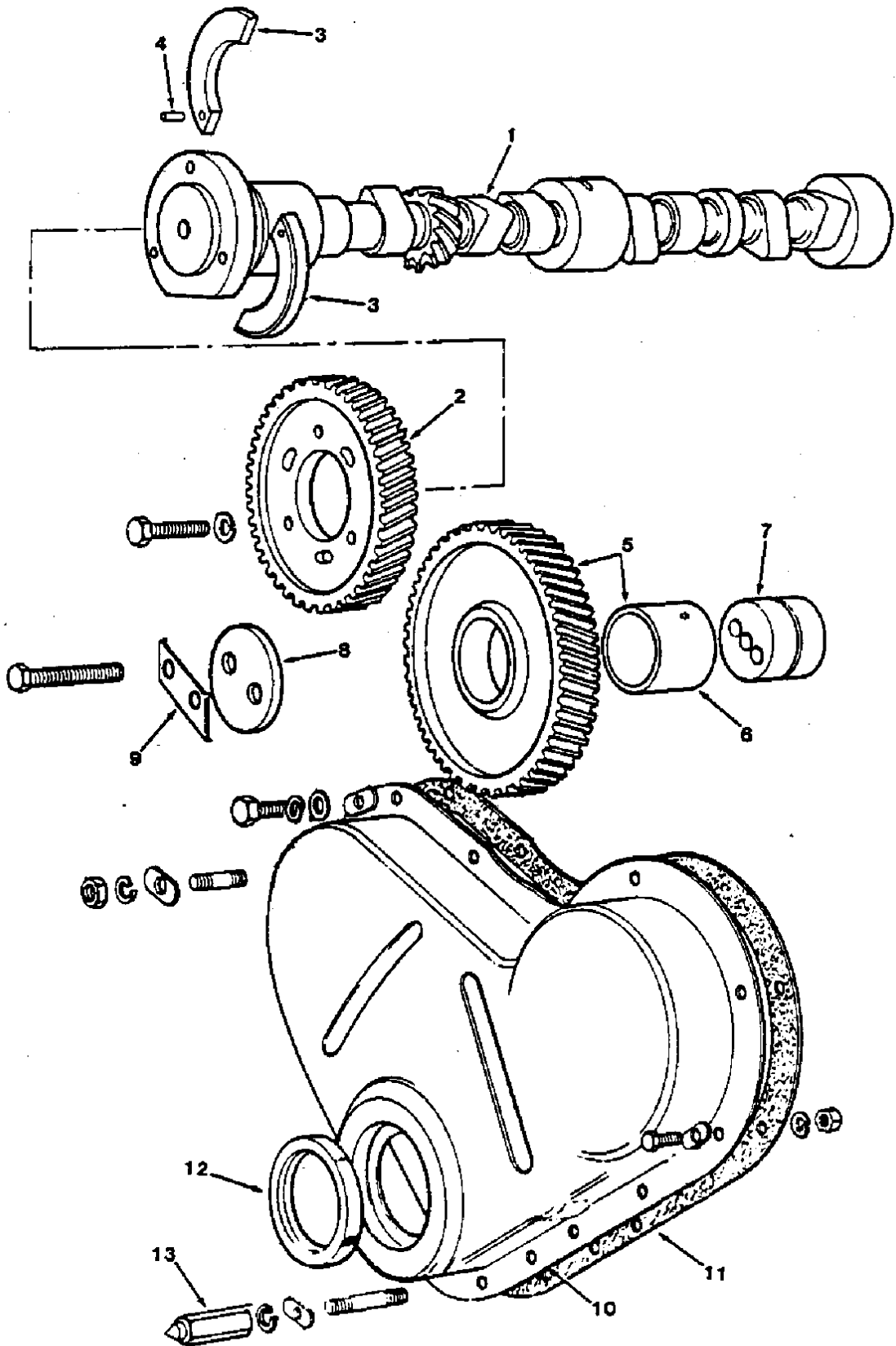
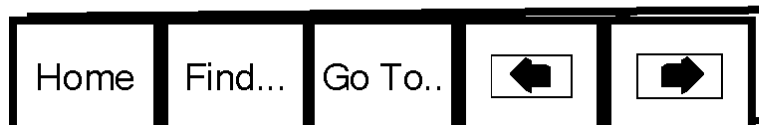


FIG. 8 - TIMING GEAR GROUP

FIG. 6 - TIMING GEAR GROUP

01245

KEY	TENNANT® PART NO.	PERKINS PART NUMBER	ENGINE SERIAL NUMBER	DESCRIPTION	QTY.
1		31415303	(-)	CAMSHAFT	1
2		31171541	(-)	GEAR, Camshaft	1
3		36178509	(-)	THRUSTPLATE, Camshaft	2
4		0610844	(-)	PIN, Thrustplate locating	1
5		41115036	(-)	GEAR ASSEMBLY, Idler	1
6		31134137	(-)	BUSHING, Idler gear	1
7		33426516	(-)	HUB, Idler gear	1
8		0941044	(-)	PLATE, Idler gear	1
9		0921159	(-)	TABWASHER	1
10		37161104	(-)	HOUSING, Timing gear	1
11		36813145	(-)	GASKET	1
12		0730098	(-)	SEAL, Oil	1
13		32726511	(-)	PIN, Timing	1



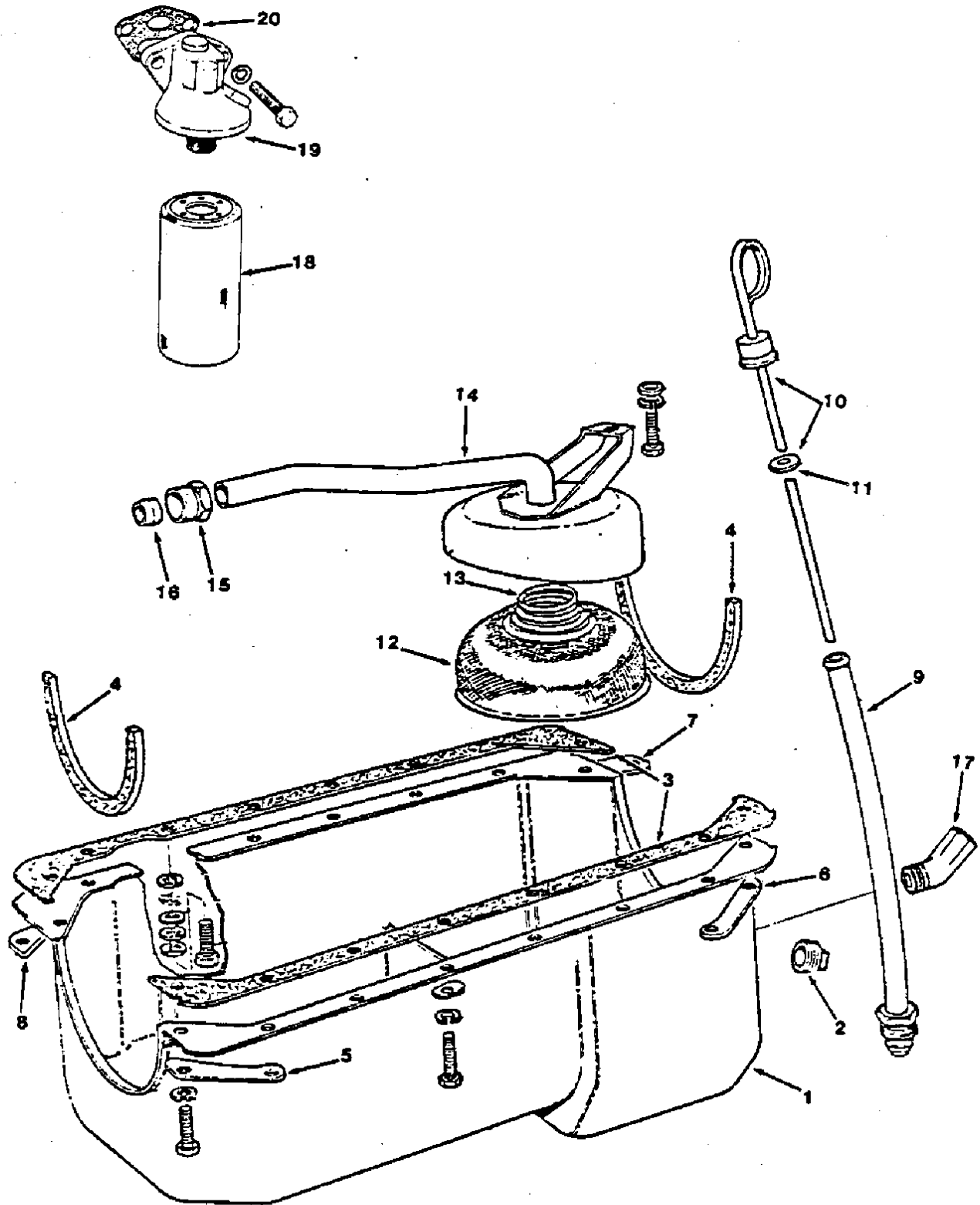


FIG. 7 - OIL SUMP GROUP

FIG. 7 - OIL SUMP GROUP

01248

KEY	TENNANT® PART NO.	PERKINS PART NUMBER	ENGINE SERIAL NUMBER	DESCRIPTION	QTY.
1		37171116	(-)	SUMP	1
2		0650540	(-)	PLUG	1
3		41424207	(-)	JOINT ASSEMBLY	1
4		0490775	(-)	JOINT	2
5		0941039	(-)	PLATE	1
6		0941040	(-)	PLATE	1
7		0941041	(-)	PLATE	1
8		0941042	(-)	PLATE	1
9		35772607	(-)	TUBE	1
10		31785417	(-)	DIPSTICK ASSEMBLY	1
11		33811407	(-)	WASHER	1
12		37725448	(-)	STRAINER	1
13		0780310	(-)	SPRING	1
14		35736145	(-)	PIPE	1
15		33532121	(-)	NUT	1
16		0560244	(-)	OLIVE	1
17		NA004833	(-)	ELBOW	1
18		2654403	(-)	FILTER, Oil	1
19		37764181	(-)	HEAD, Oil filter	1
20		36862517	(-)	GASKET	1

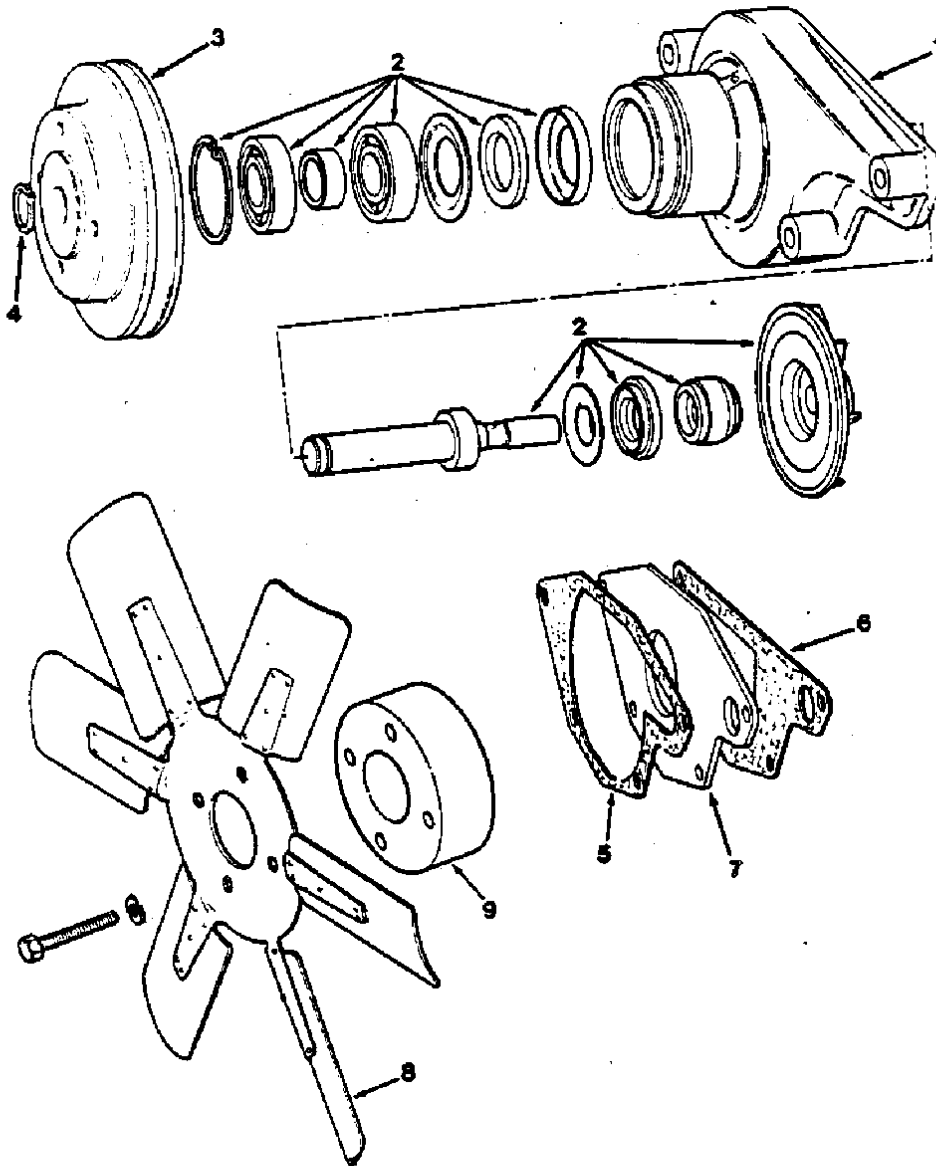


FIG. 8 - WATER PUMP GROUP

01247

KEY	TENNANT® PART NO.	PERKINS PART NUMBER	ENGINE SERIAL NUMBER	DESCRIPTION	QTY.
1		41312471	(-)	WATER PUMP	1
2		089029	(-)	REPAIR KIT, Water pump	1
3		31145803	(-)	PULLEY, Water pump	1
4		0170051	(-)	RING, Retaining	1
5		36866421	(-)	GASKET, Water pump to backplate	1
6		36866713	(-)	GASKET, Backplate	1
7		36243515	(-)	BACKPLATE, Water pump	1
8		31257137	(-)	FAN	1
9		37413591	(-)	EXTENSION	1

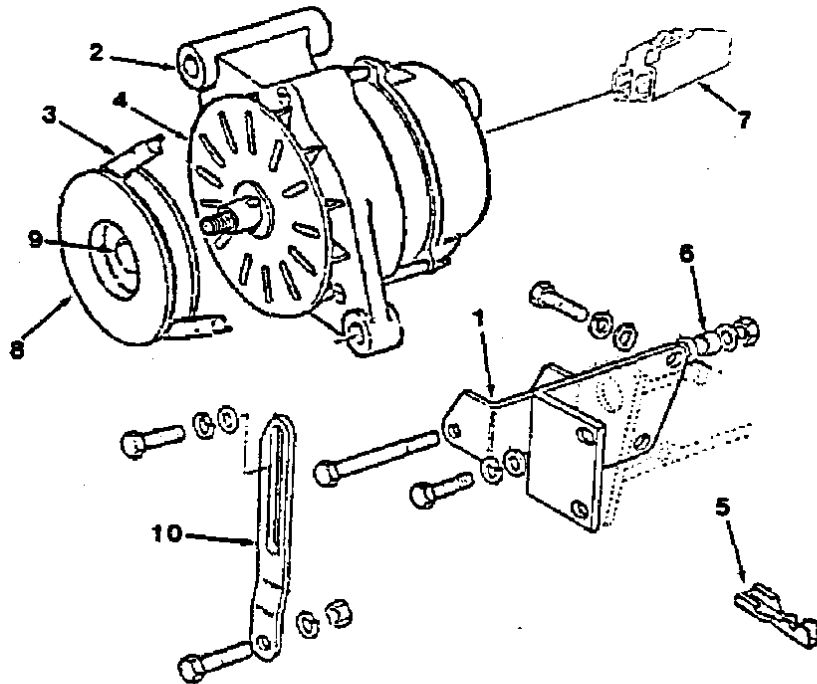


FIG. 9 - ALTERNATOR GROUP

01247

KEY	TENNANT® PART NO.	PERKINS PART NUMBER	ENGINE SERIAL NUMBER	DESCRIPTION	QTY.
1		38163113	(-)	BRACKET	1
2		NA005128	(-)	ALTERNATOR	1
3		2612019	(-)	BELT	1
4		2871954	(-)	FAN	1
5		NA000904	(-)	CONNECTION	3
6		33283514	(-)	BUSHING	1
7		NA004808	(-)	CONNECTION	1
8		31141645	(-)	PULLEY	1
9		0040054	(-)	BEARING	1
10		36548423	(-)	LEVER	1

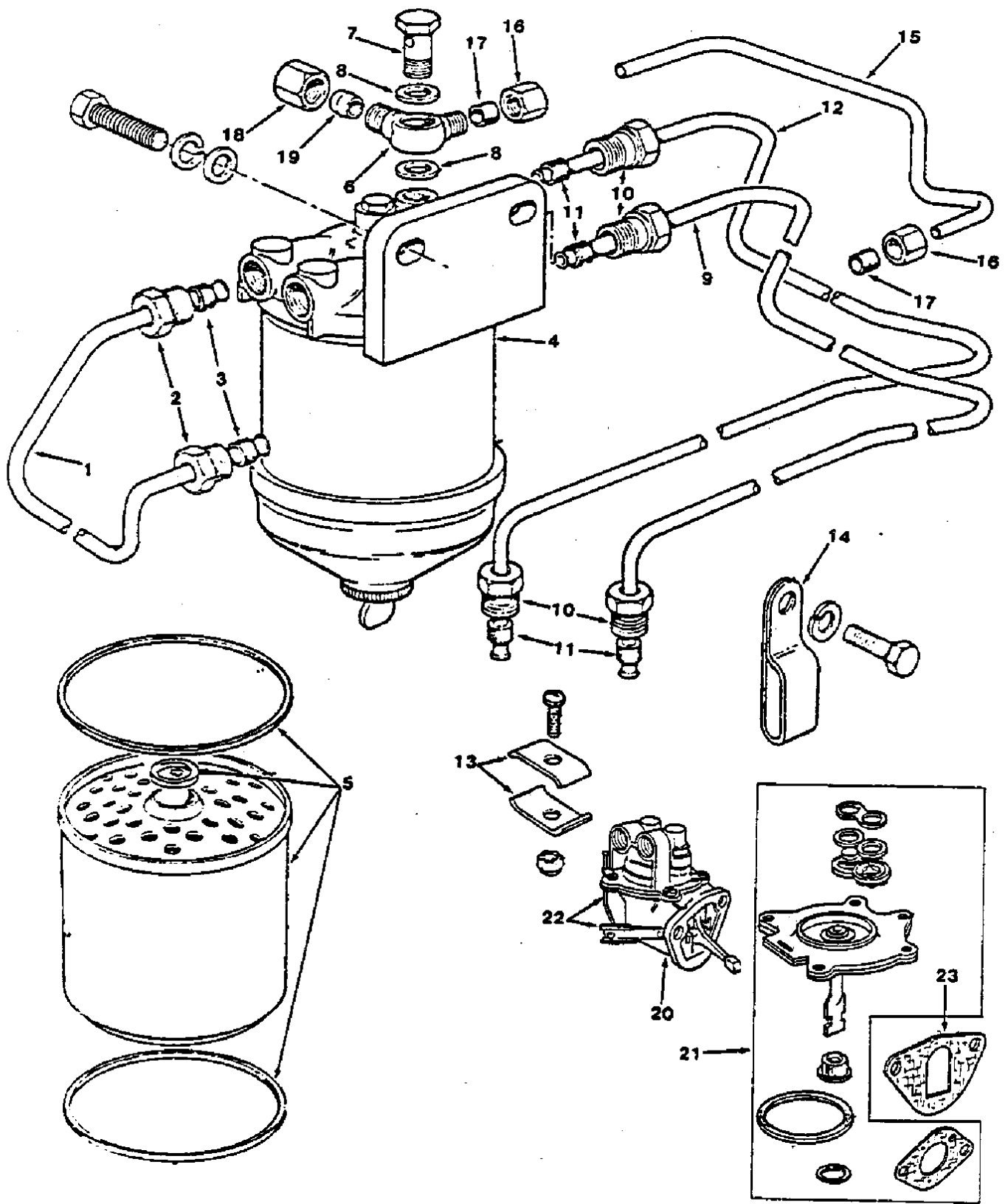
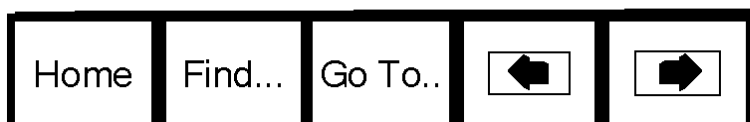


FIG. 10 - FUEL FILTER AND PUMP GROUP

FIG. 10 - FUEL FILTER AND PUMP GROUP

01249

KEY	TENNANT® PART NO.	PERKINS PART NUMBER	ENGINE SERIAL NUMBER	DESCRIPTION	QTY.
1		35844057	(-)	PIPE	1
2		33532128	(-)	NUT	2
3		33811113	(-)	OLIVE	2
4		2656617	(-)	FILTER	1
5	52770-9	26580017	(-)	ELEMENT KIT, Fuel filter	1
6		0201397	(-)	CONNECTION	1
7		0095344	(-)	BOLT	1
8		0920146	(-)	WASHER	2
9		35846213	(-)	PIPE	1
10		33532128	(-)	NUT	4
11		33811113	(-)	OLIVE	4
12		35847304	(-)	PIPE	1
13		0180637	(-)	CLIP	2
14		36651119	(-)	CUP	1
15		34422136	(-)	PIPE	1
16		33225412	(-)	NUT	2
17		33811112	(-)	OLIVE	2
18		0576112	(-)	NUT	1
19		0566003	(-)	OLIVE	1
20		2641702	(-)	PUMP, Fuel lift	1
21		26410096	(-)	REPAIR KIT, Fuel lift pump	1
22		0700279	(-)	ROD ASSEMBLY, Push	1
23		36851113	(-)	GASKET, Pump	1



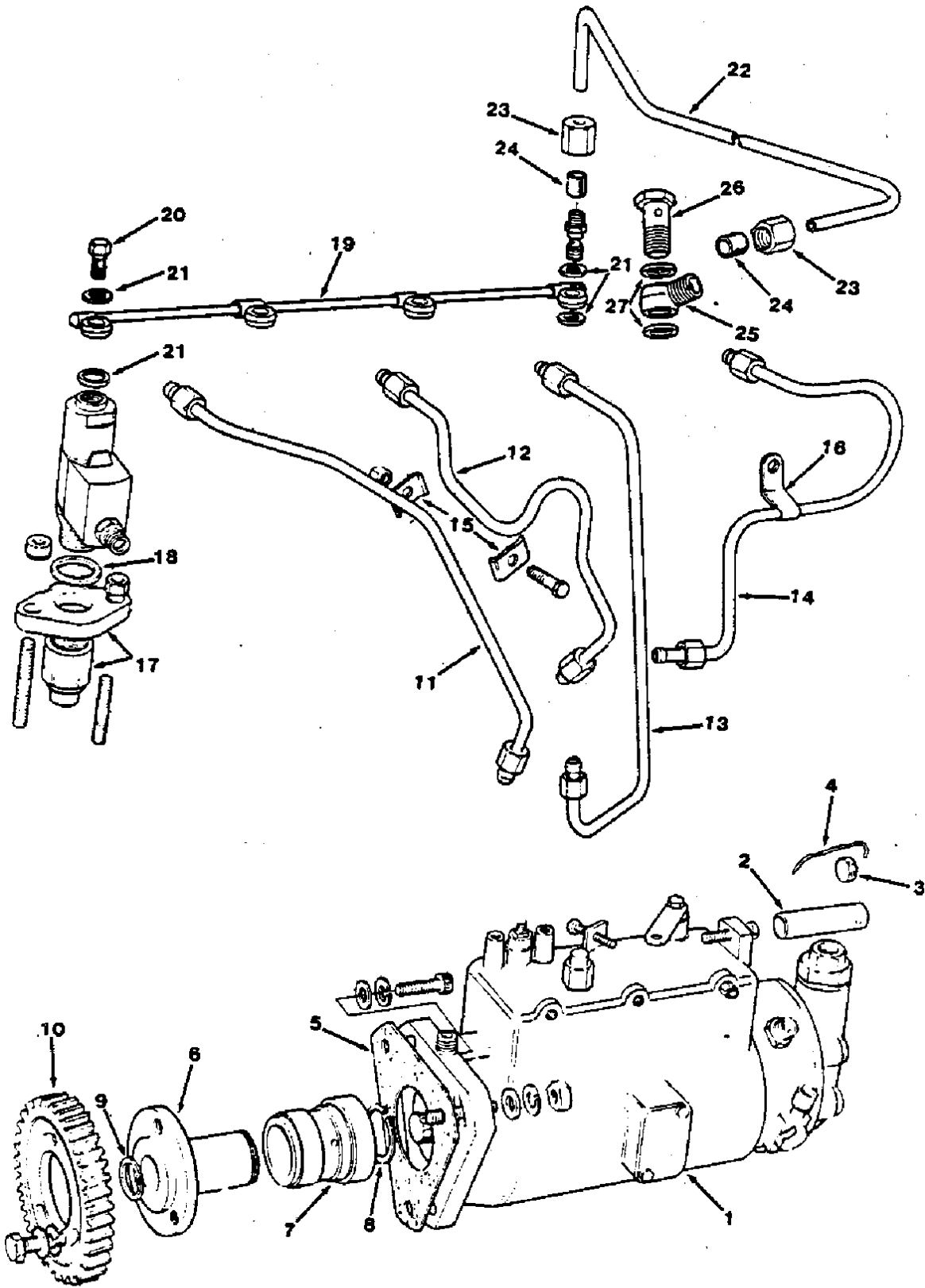
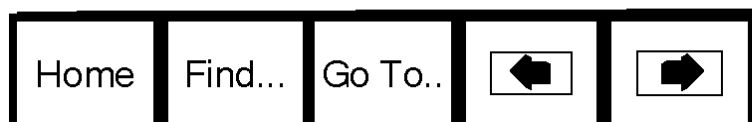


FIG. 11 - FUEL INJECTION GROUP

FIG. 11 - FUEL INJECTION GROUP

01250

KEY	TENNAI T® PART NO.	PERKINS PART NUMBER	ENGINE SERIAL NUMBER	DESCRIPTION	QTY.
1		37902	(-)	PUMP, Fuel injection	1
2		2644951	(-)	SLEEVE, Screw	1
3		31718104	(-)	SEAL, Sleeve	1
4		31718105	(-)	WIRE, Seal	1
5		0490685	(-)	GASKET	1
6		33472491	(-)	HUB, Fuel pump	1
7		0050323	(-)	BEARING, Fuel pump	1
8		0170148	(-)	RING, Retaining	1
9		0170048	(-)	RING, Retaining	1
10		31171542	(-)	GEAR, Driving	1
11		35353247	(-)	PIPE, Fuel injection, No. 1	1
12		35354242	(-)	PIPE, Fuel injection, No. 2	1
13		35354243	(-)	PIPE, Fuel injection, No. 3	1
14		35354244	(-)	PIPE, Fuel injection, No. 4	1
15		0180637	(-)	CLIP, Fuel injection pipe	4
16		36644132	(-)	CLIP, Fuel injection pipe, No. 4	1
17		2645559	(-)	INJECTOR ASSEMBLY, Fuel	4
18		0920113	(-)	WASHER, Seating	4
19		35587355	(-)	PIPE, Leak-off	1
20		0095315	(-)	BOLT, Banjo	4
21		0921176	(-)	WASHER, Banjo	8
22		34422136	(-)	PIPE, Leak-off rail to fuel filter	1
23		33225412	(-)	NUT, Pipe	2
24		33811112	(-)	FERRULE, Pipe	2
25		0201397	(-)	CONNECTION, Banjo	1
26		0095344	(-)	BOLT, Banjo	1
27		0920146	(-)	WASHER, Banjo	2



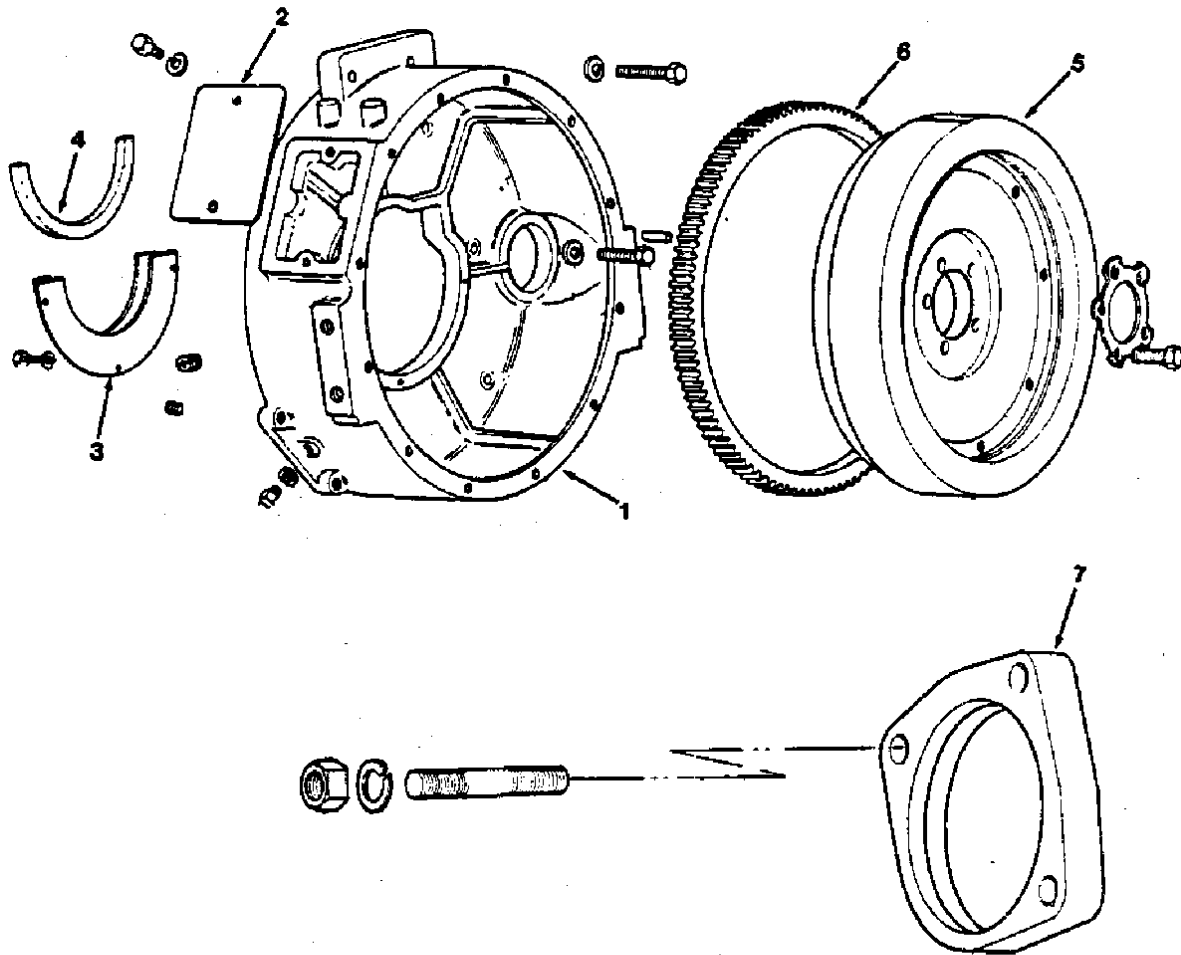


FIG. 12 - FLYWHEEL AND HOUSING GROUP

01251

KEY	TENNANT* PART NO.	PERKINS PART NUMBER	ENGINE SERIAL NUMBER	DESCRIPTION	QTY.
1		37134206	(-)	HOUSING, Flywheel	1
2		0941221	(-)	PLATE, inspection, flywheel housing	1
3		0994788	(-)	COVER, Dust	1
4		0730144	(-)	SEAL, Dust cover	1
5		41112762	(-)	FLYWHEEL ASSEMBLY	1
6		0410277	(-)	RING, Starter	1
7		37444693	(-)	SPACER, Starter motor	1
		NA000034	(-)	STARTER	1

MODEL 527 DAILY (8 HOUR) MAINTENANCE CHECKLIST

ITEMS TO BE SERVICED	DAILY CHECKLIST					
Clean Engine Air Filter Element						
Check Hydraulic Fluid Reservoir Level						
Check Engine Oil Level						
Check Radiator Coolant Level						
Clean Inside of Recovery Tank						
Clean Laminar Filter and Wire Screen Filters (SRS Only)						
Check Scrub Brushes for Wire or String and Remove if Found						
Inspect Scrub Brushes for Wear or Damage						
Check Scrub Brush Pattern						
Clean Debris Trough						
Backflush all Water Pick-up Hoses						
Check Rear Squeegee and Side Squeegee for Damage and Proper Adjustment						

MODEL 527 WEEKLY (50 HOUR) MAINTENANCE CHECKLIST

ITEMS TO BE SERVICED	WEEKLY CHECKLIST					
Check Battery Electrolyte Level						
Check Engine Fan Belt Tension (Gasoline, LPG)						
Change Engine Oil and Oil Filter (Gasoline, LPG)						
Grease Scrub Head Linkage (3 fittings)						
Grease Rear Squeegee Roller						
Grease Front Caster Wheel						
Grease Fan Jackshaft Bearing (2 fittings)						
Grease Vacuum Fan Bearings (use Chevron "SRI" or Lubriplate "EMB")						
Grease Steering Arm (2 fittings)						
Check Engine to Jackshaft Belt Tension						
Check Jackshaft to Vacuum Fan Belt Tension						



TENNANT COMPANY WORLD HEADQUARTERS, MINNEAPOLIS, MN 55440 U.S.A.

Home	Find...	Go To..		
------	---------	---------	--	--